



Chipsmall Limited consists of a professional team with an average of over 10 year of expertise in the distribution of electronic components. Based in Hongkong, we have already established firm and mutual-benefit business relationships with customers from,Europe,America and south Asia,supplying obsolete and hard-to-find components to meet their specific needs.

With the principle of “Quality Parts,Customers Priority,Honest Operation,and Considerate Service”,our business mainly focus on the distribution of electronic components. Line cards we deal with include Microchip,ALPS,ROHM,Xilinx,Pulse,ON,Everlight and Freescale. Main products comprise IC,Modules,Potentiometer,IC Socket,Relay,Connector.Our parts cover such applications as commercial,industrial, and automotives areas.

We are looking forward to setting up business relationship with you and hope to provide you with the best service and solution. Let us make a better world for our industry!



Contact us

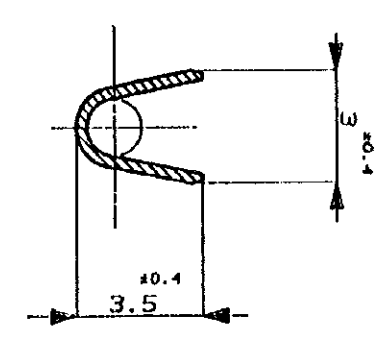
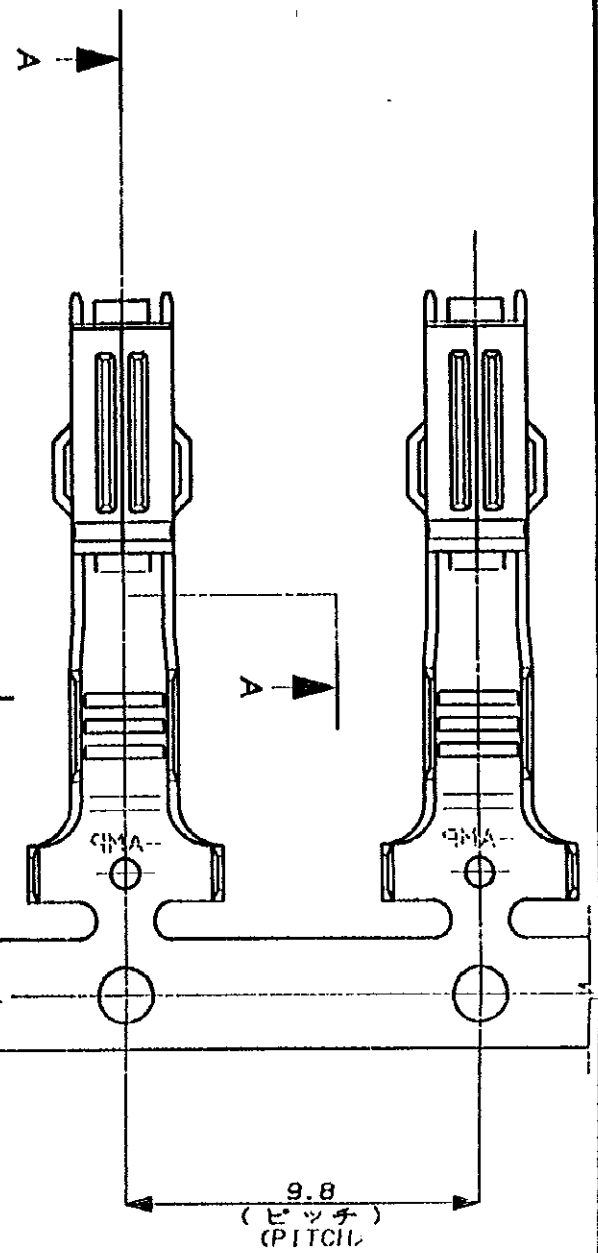
Tel: +86-755-8981 8866 Fax: +86-755-8427 6832

Email & Skype: info@chipsmall.com Web: www.chipsmall.com

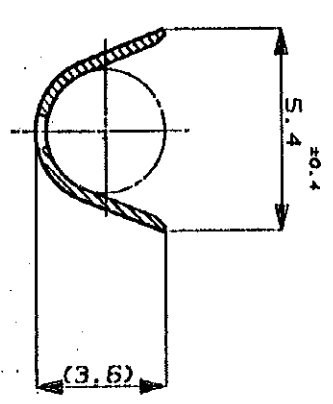
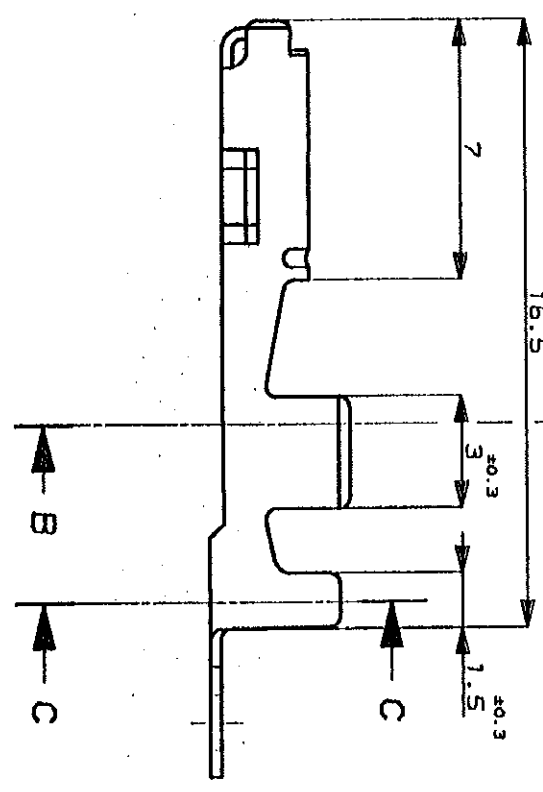
Address: A1208, Overseas Decoration Building, #122 Zhenhua RD., Futian, Shenzhen, China



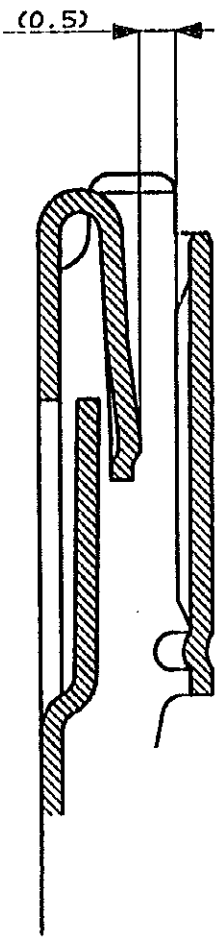
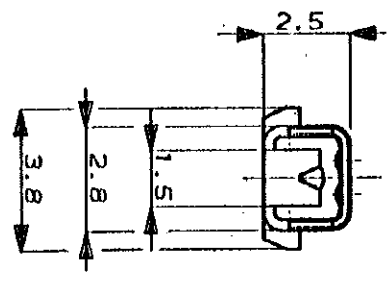
DIMENSIONS IN MILLIMETERS. DO NOT SCALE PRINT



断面 B-B
SECT. B-B



断面 C-C
SECT. C-C



断面 A-A
SECT. A-A
尺度 : 10-1
SCALE: 10-1

NOTE:
△ SELECTIVE GOLD PLATING ALONG CONTACT AREA AFTER ALL OVER NICKEL PLATING

注:
△ 全面ニツカルメッキ上に接触部にのみ部分金メッキを施す

LTR	REVISION RECORD	DR	CHK	DATE
0	RELEASED 作図 1-10627	Y.F.		

WIRE RANGE	INSULATION DIA	NAME
AVG. WIRE RANGE : 0.5-1.35 mm ² (AWG20-16)	2-2.6 mm ²	.070 SERIES RECEPTACLE CONTACT
MATERIAL	FINISH	ECONOMICAL J-MARKET CONNECTOR
KLF-5, 線径 : 0.3	SEE TABLE	コネクタ
DR. Y. FUJIMORI	DATE: 10/19/88	AMP (JAPAN), LTD.
CHK. 10/19/88	APP. 10/19/88	Tokyo, Japan

FINISH	NAME	NO.
GOLD PLATING	.070 SERIES RECEPTACLE CONTACT	1
175104-2	コネクタ	
P/N	AMP (JAPAN), LTD.	
	Tokyo, Japan	
GENERAL TOLERANCE	SCALE	REV.
0.4 ±0.2 1.0 ±0.3 3.0 ±0.5 ANGLES : ±3°	A3	0
	SIZE	LOC
	5-1	
	NUMBER	SHEET
	C-175104	1 OF 1

CUSTOMER DRAWING