



Chipsmall Limited consists of a professional team with an average of over 10 year of expertise in the distribution of electronic components. Based in Hongkong, we have already established firm and mutual-benefit business relationships with customers from,Europe,America and south Asia,supplying obsolete and hard-to-find components to meet their specific needs.

With the principle of "Quality Parts,Customers Priority,Honest Operation,and Considerate Service",our business mainly focus on the distribution of electronic components. Line cards we deal with include Microchip,ALPS,ROHM,Xilinx,Pulse,ON,Everlight and Freescale. Main products comprise IC,Modules,Potentiometer,IC Socket,Relay,Connector.Our parts cover such applications as commercial,industrial, and automotives areas.

We are looking forward to setting up business relationship with you and hope to provide you with the best service and solution. Let us make a better world for our industry!



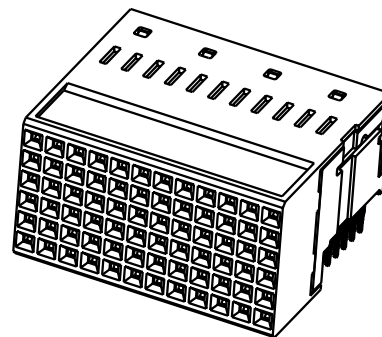
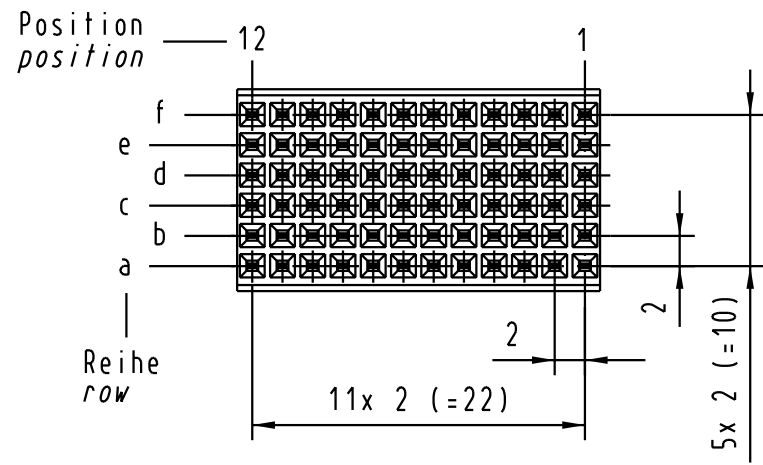
Contact us

Tel: +86-755-8981 8866 Fax: +86-755-8427 6832

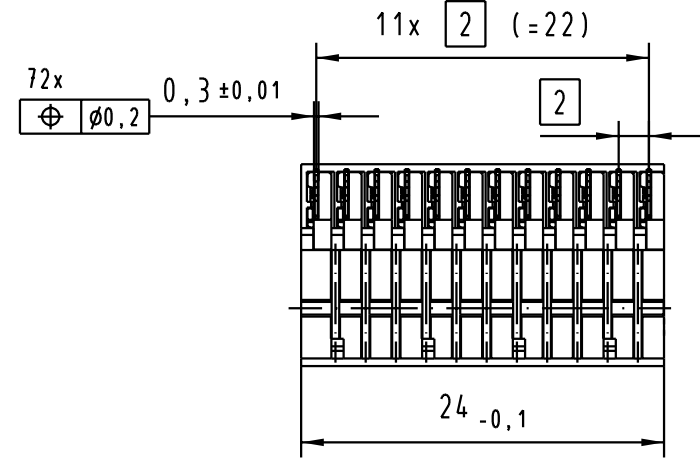
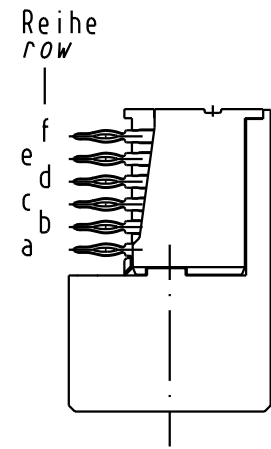
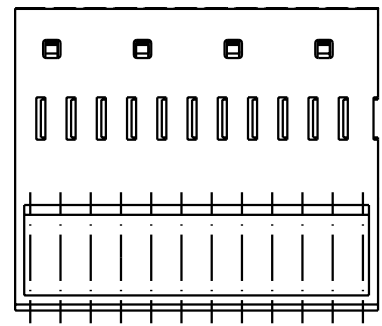
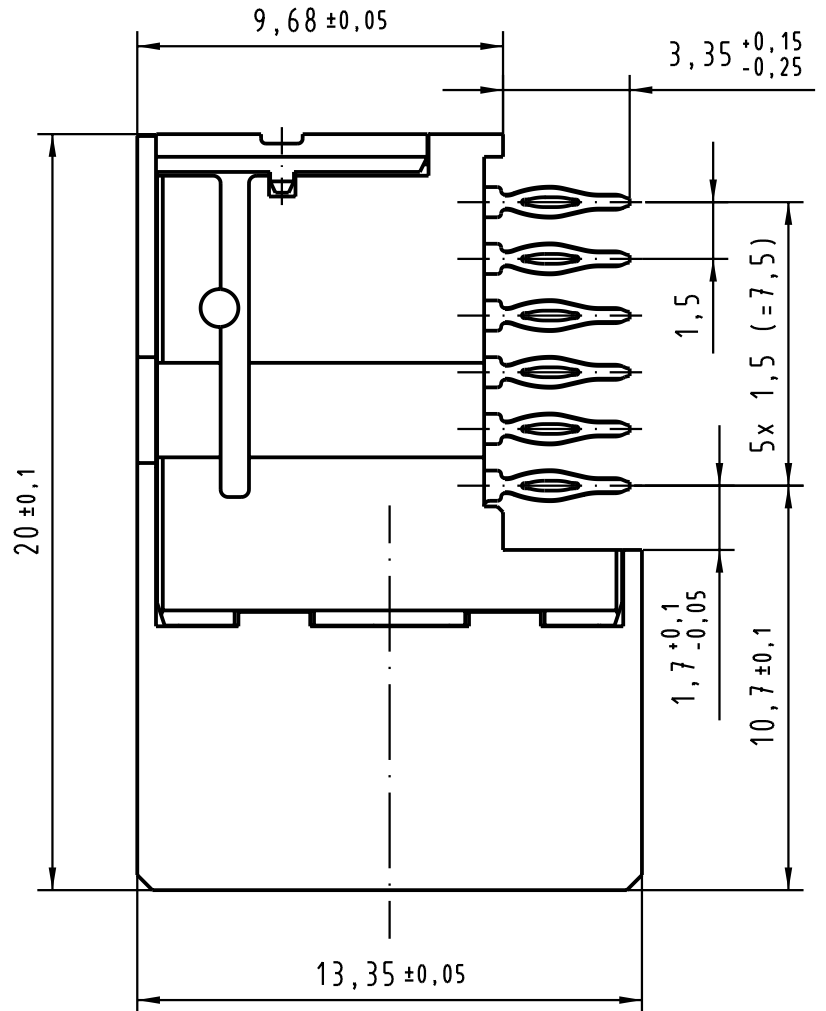
Email & Skype: info@chipsmall.com Web: www.chipsmall.com

Address: A1208, Overseas Decoration Building, #122 Zhenhua RD., Futian, Shenzhen, China



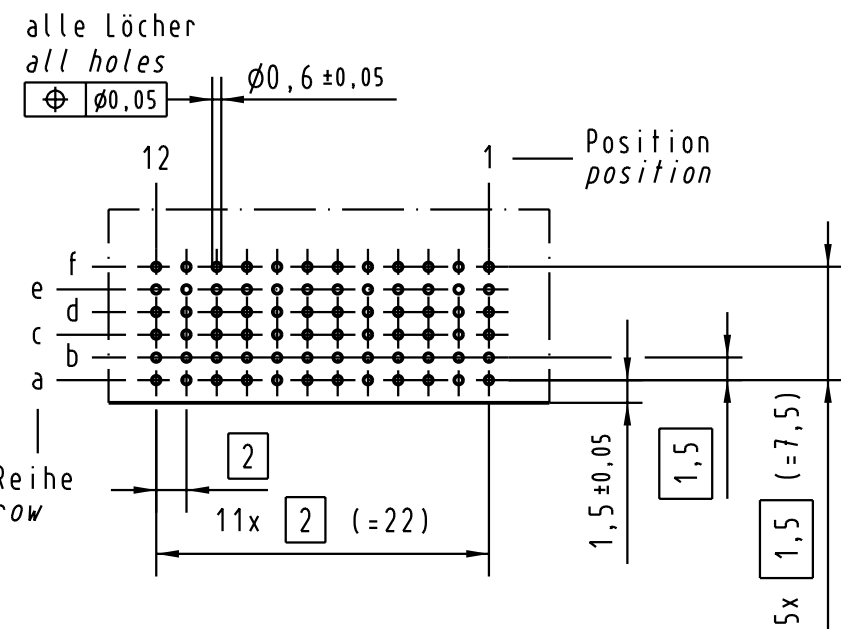


X
5:1



Bohrlochdurchmesser: $\phi 0,7 \pm 0,02$ mm
 Lochdurchmesser (mit Oberfläche): $\phi 0,6 \pm 0,05$ mm
 drill hole dia.: $\phi 0,7 \pm 0,02$ mm
 through hole dia. (after plating): $\phi 0,6 \pm 0,05$ mm

**Lochbild
board drillings**



17 51 072 4102	-	min. 0,76 μ m (30 μ m) Au über/over min. 1,27 μ m (50 μ m) Ni
17 51 072 2102	2	Au über/over Ni
17 51 072 1102	1	Au über/over Ni
Bestell-Nr. Part-No.	Anforderungsstufe nach IEC Performance level per IEC	Kontaktoberfläche Contact Plating

	All Dimensions in mm Original Size DIN A 3		Techn. Character.		Nicht tolerierte Maß/Free size tolerances	
					har-bus HM Federleiste 6-reihig, 72 pol., Einpreß har-bus HM female connector 6-row, 72 pol., press-in	
31808			HARTING Electronics GmbH & Co. KG D-32339 ESPELKAMP		Maßstab/Scale 2:1 (5:1)	
Mod.	Dat.	Name			TB 17 51 072 x102 Sub.	

Alle Rechte vorbehalten. All rights reserved