



Chipsmall Limited consists of a professional team with an average of over 10 year of expertise in the distribution of electronic components. Based in Hongkong, we have already established firm and mutual-benefit business relationships with customers from,Europe,America and south Asia,supplying obsolete and hard-to-find components to meet their specific needs.

With the principle of “Quality Parts,Customers Priority,Honest Operation,and Considerate Service”,our business mainly focus on the distribution of electronic components. Line cards we deal with include Microchip,ALPS,ROHM,Xilinx,Pulse,ON,Everlight and Freescale. Main products comprise IC,Modules,Potentiometer,IC Socket,Relay,Connector.Our parts cover such applications as commercial,industrial, and automotives areas.

We are looking forward to setting up business relationship with you and hope to provide you with the best service and solution. Let us make a better world for our industry!



Contact us

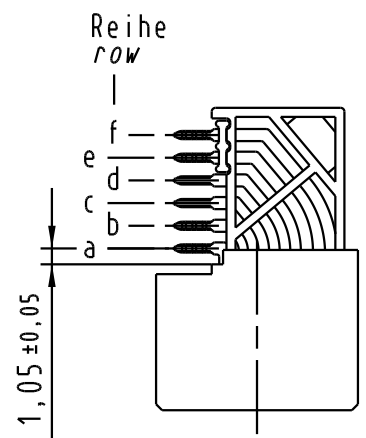
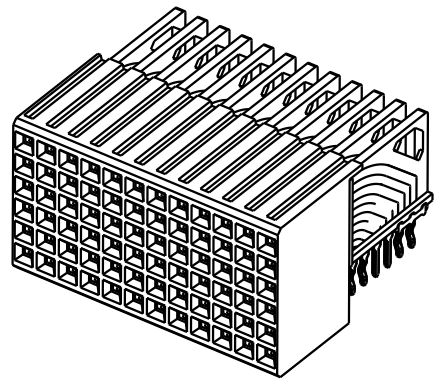
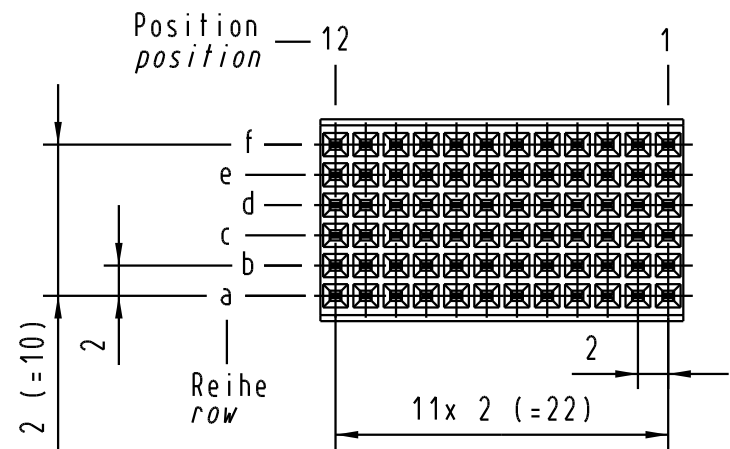
Tel: +86-755-8981 8866 Fax: +86-755-8427 6832

Email & Skype: info@chipsmall.com Web: www.chipsmall.com

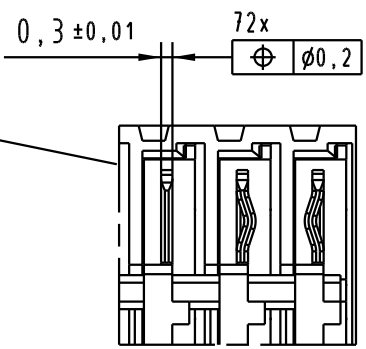
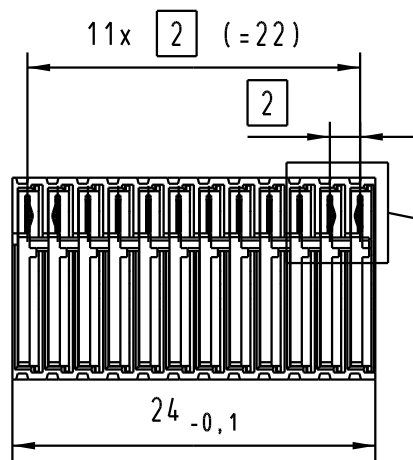
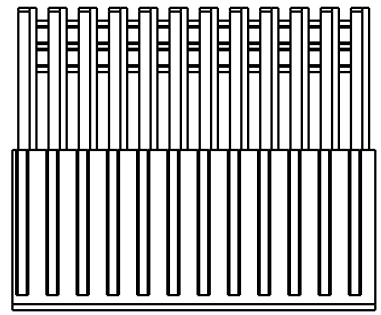
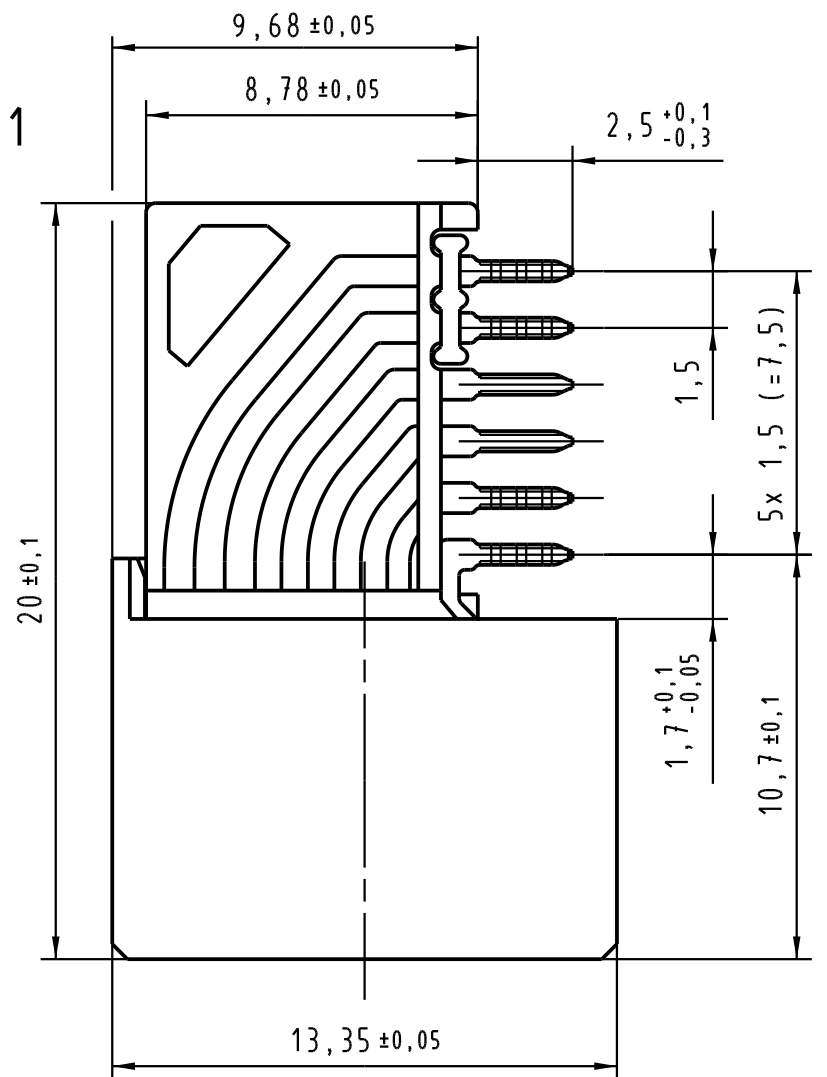
Address: A1208, Overseas Decoration Building, #122 Zhenhua RD., Futian, Shenzhen, China



Alle Rechte vorbehalten. All rights reserved



X
5:1

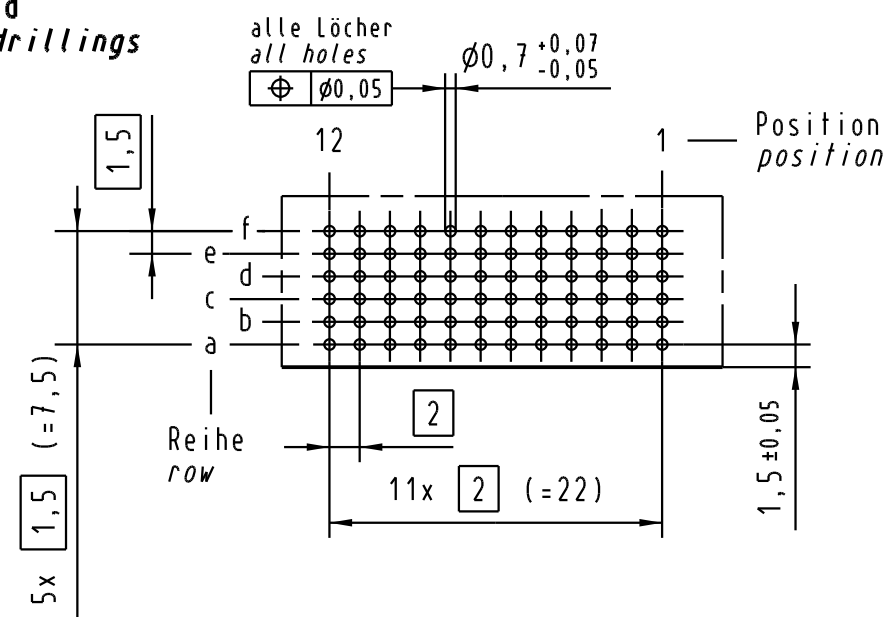


5:1

kinked pins at both ends of the connector

Bohrlochdurchmesser: $\phi 0,8 \pm 0,02$ mm
 Lochdurchmesser (mit Oberfläche): $\phi 0,7 \pm 0,05$ mm
 drill hole dia.: $\phi 0,8 \pm 0,02$ mm
 through hole dia. (after plating): $\phi 0,7 \pm 0,05$ mm

**Lochbild
board drillings**



17 51 072 4802	-	min. 0,76µm (30µin) Au über/over min. 1,27µm (50µin) Ni
17 51 072 2802	2	Au über/over Ni
17 51 072 1802	1	Au über/over Ni
Bestell-Nr. part-no.	Anforderungsstufe nach IEC performance level acc. to IEC	Kontaktoberfläche contact plating

All Dimensions in mm Original Size DIN A 3			Techn. Character.			Nicht tolerierte Maß Free size tolerances			
						har-bus HM Federleiste 6-reihig 72 pol., PIHR (Hochtemperatur) har-bus HM female connector 6-row 72 pol., PIHR (high temperature)			
			Dat.	Name	Maßstab/Scale				
			Detail.	31.03.04	Bus.				2:1 (5:1)
			Insp.	31.03.04	Ko				
32623	06.04.05	HL.	Stand.						
31809			HARTING Electronics GmbH & Co. KG				TB 17 51 072 x802	Blatt / page	
Mod.	Dat.	Name	D-32339 ESPELKAMP						Sub.