



Chipsmall Limited consists of a professional team with an average of over 10 year of expertise in the distribution of electronic components. Based in Hongkong, we have already established firm and mutual-benefit business relationships with customers from,Europe,America and south Asia,supplying obsolete and hard-to-find components to meet their specific needs.

With the principle of "Quality Parts,Customers Priority,Honest Operation,and Considerate Service",our business mainly focus on the distribution of electronic components. Line cards we deal with include Microchip,ALPS,ROHM,Xilinx,Pulse,ON,Everlight and Freescale. Main products comprise IC,Modules,Potentiometer,IC Socket,Relay,Connector.Our parts cover such applications as commercial,industrial, and automotives areas.

We are looking forward to setting up business relationship with you and hope to provide you with the best service and solution. Let us make a better world for our industry!



Contact us

Tel: +86-755-8981 8866 Fax: +86-755-8427 6832

Email & Skype: info@chipsmall.com Web: www.chipsmall.com

Address: A1208, Overseas Decoration Building, #122 Zhenhua RD., Futian, Shenzhen, China



NUMBER C-175111

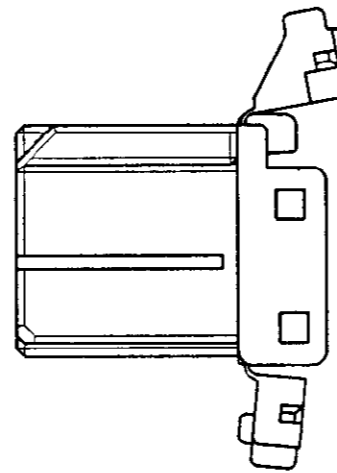
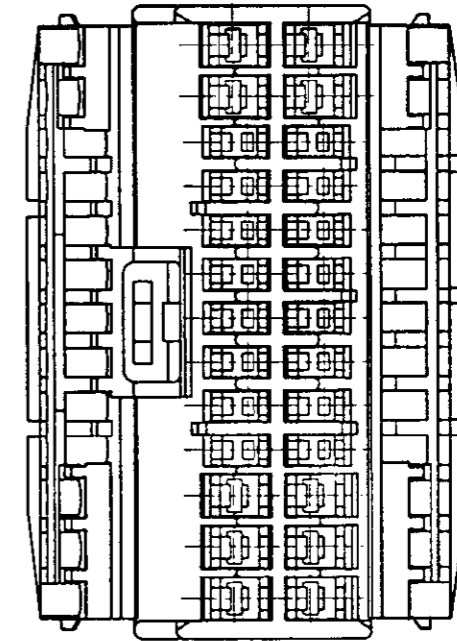
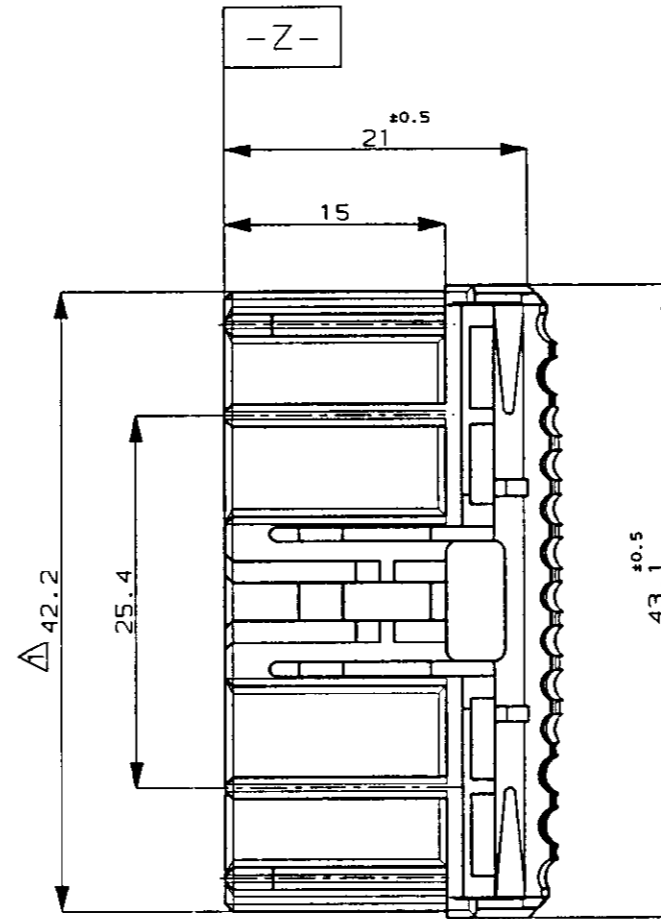
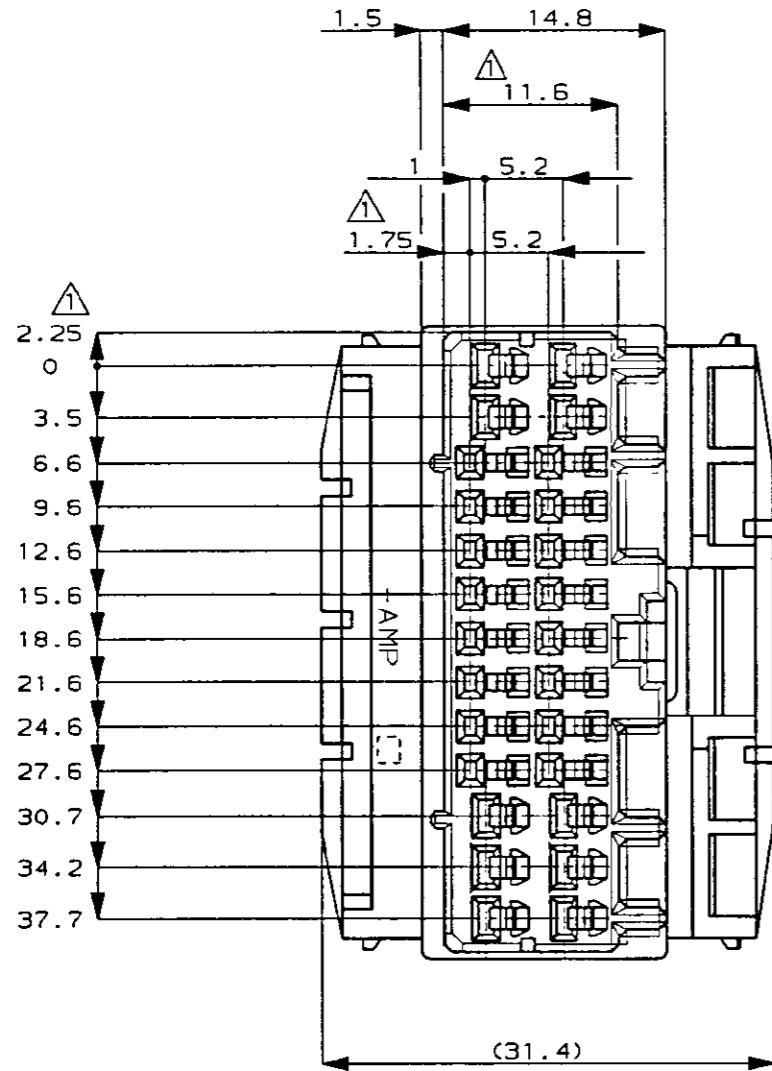
3rd ANGLE PROJECTION

METRIC

DIMENSIONS IN MILLIMETERS. DO NOT SCALE PRINT

PRINT DIST

AMP-J
REV. 10/83



NOTES;

1. MUST BE KEPT BETWEEN **-Z-** AND 2mm.
2. APPLIED CONTACT PART NUMBER; 173681, 173630, 173631
3. APPLICABLE PRODUCT SPEC. 108-5280

注:

1. **-Z-** 面より 2mm の範囲で測定
2. 内装するリセパタクルコンタクト型番: 173681, 173630, 173631
3. 通用製品規格番号 108-5280

				Copyright ©1989 AMP (Japan) LTD. ALL RIGHTS RESERVED.		Copyright ©1989 AMP (Japan) LTD. ALL RIGHTS RESERVED.		AMP AMP (JAPAN), LTD. Tokyo, Japan	
				WIRE RANGE #16 - #22 mm ² (AWG)		INSULATION DIA #16 - #22 mm ϕ		NAME 26pos. PLUG HOUSING .040/.070 HYBRID I/O CONN. T.F 26極プラグハウジング .040/.070 ハイブリッド I/O コネクタ T.F	
C	追加 -5	FJ00-2749-95	KS SJ	6/18/91	材料 MATERIAL PBT		色 COLOR 表参照 SEE TABLE		
B	変更	J-0413	AT	10/14/91	GENERAL TOLERANCE		SIZE	LOC	
A	変更	J-0015	YF	4/16/91	0 <= 10 : ±0.2 10 <= 30 : ±0.25 30 <= 100 : ±0.3 ANGLES : ±3°		A3	J	
O	作成	J-10927	KS	11/15/89	DR. K. Suzuki 10/31/89 DE. K. Fujise 11/15/89		NUMBER C-175111		
LTR	REVISION RECORD	DR	CHK	DATE	CHK. M. Matsushita 11/16/89 APP. T. Tsuchida 11/20/89		SCALE	REV.	
							2-1	C	SHEET #

CUSTOMER DRAWING