



Chipsmall Limited consists of a professional team with an average of over 10 year of expertise in the distribution of electronic components. Based in Hongkong, we have already established firm and mutual-benefit business relationships with customers from,Europe,America and south Asia,supplying obsolete and hard-to-find components to meet their specific needs.

With the principle of "Quality Parts,Customers Priority,Honest Operation,and Considerate Service",our business mainly focus on the distribution of electronic components. Line cards we deal with include Microchip,ALPS,ROHM,Xilinx,Pulse,ON,Everlight and Freescale. Main products comprise IC,Modules,Potentiometer,IC Socket,Relay,Connector.Our parts cover such applications as commercial,industrial, and automotives areas.

We are looking forward to setting up business relationship with you and hope to provide you with the best service and solution. Let us make a better world for our industry!



## Contact us

Tel: +86-755-8981 8866 Fax: +86-755-8427 6832

Email & Skype: info@chipsmall.com Web: www.chipsmall.com

Address: A1208, Overseas Decoration Building, #122 Zhenhua RD., Futian, Shenzhen, China



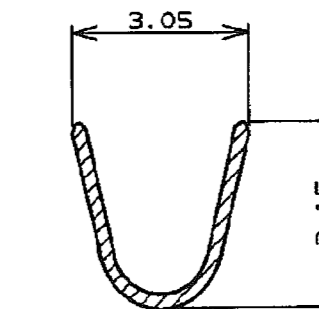
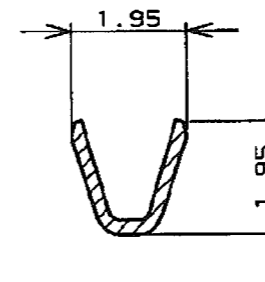
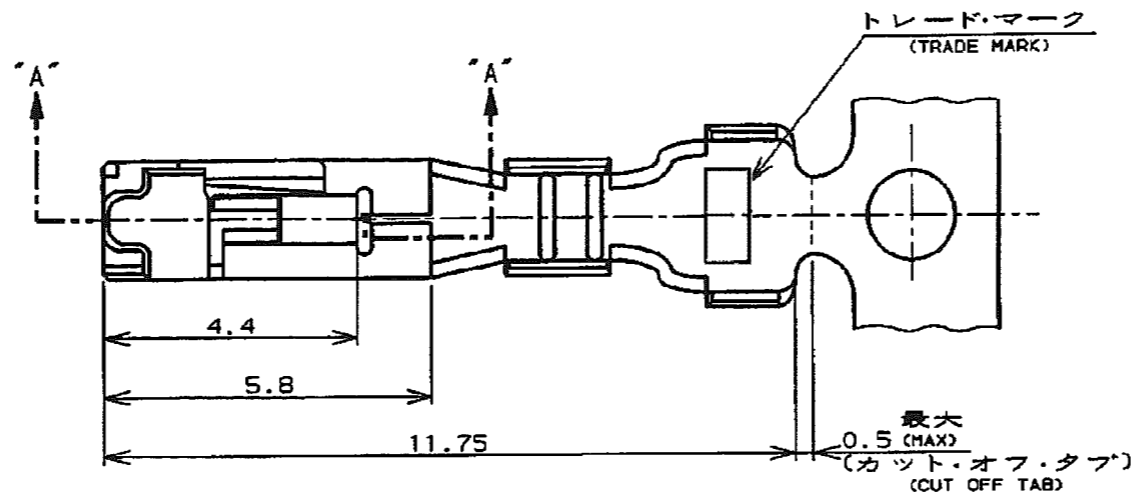
NUMBER C-175151



METRIC

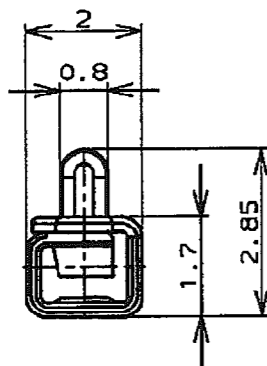
単位: mm DIMENSIONS IN MM. DO NOT SCALE PRINT

PRINT DIST

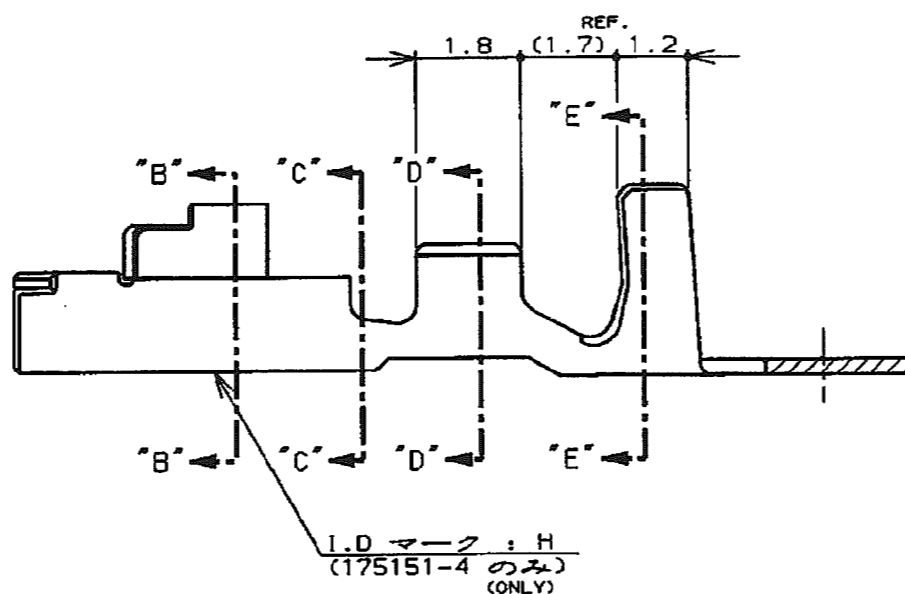


断面 "D"- "D"  
(SECT)

断面 "E"- "E"  
(SECT)

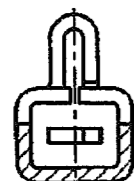


断面 "B"- "B"  
(SECT)



断面 "A"- "A"  
(SECT) (175151-1, -2)

断面 "A"- "A"  
(SECT) (175151-4)



断面 "C"- "C"  
(SECT)

注記:

- 適用規格  
製品規格 : 108-5302  
取付適用規格 : 114-5142
- 取扱説明書 : IS-503J

NOTES:

- APPLICABLE SPEC  
PRODUCT SPEC : 108-5302  
APPLICATION SPEC : 114-5142
- INSTRUTION SHEET : IS-503J

	NYE: 502H-20-UV 1L7"カッパ処理 (APPLIED LUBRICANT OIL)	錫めつき黄銅 (PRE TINNED BRASS)	175151-5
175155-4	---	錫めつき黄銅合金 (PRE TINNED COPPER ALLOY)	175151-4
175155-2	---	錫めつき黄銅 (PRE TINNED BRASS)	175151-2
175155-1	---	錫めつき黄銅合金 (PRE TINNED COPPER ALLOY)	175151-1
パラ状端子型番 (L.P P/N)	仕上 (FINISH)	材料 (MATERIAL)	型番 (P/N)

適合電線断面積 (WIRE RANGE) 0.12~0.35mm <sup>2</sup> (AWG#26~22)	被覆外径 (INSULATION DIA.) 1.2~2 mmφ
材料 (MATERIAL) 表参照 (SEE TABLE)	仕上 (FINISH) 表参照 (SEE TABLE)
名称 (NAME) リセパクル・コンタクト、アンパ・ユニバーサル・パワー・コネクタ (REC CONTACT AMP UNIVERSAL POWER CONN.)	
一般公差 (GENERAL TOLERANCE) 10以下: ±0.2 10を超え30以下: ±0.25 30を超え100以下: ±0.3 角 度: ±3°	LOD 番号 (No.) B J C-175151
尺度 (SCALE) ---	REV. SHEET F1 1 OF 1

F1	REVISED PER ECO-11-005030	RK	HMR	01APR11
LTR	変更 (REVISION RECORD)	DR	CHK	DATE

DR.	8. JUN '95	DE.	8. JUN '95
N. NAGASHIMA		M. SHINDO	
CHK.	8. JUN '95	APP.	8. JUN '95
M. SHINDO		Y. KASHIWA	

(CUSTOMER DRAWING) 参 考 区 画