



Chipsmall Limited consists of a professional team with an average of over 10 year of expertise in the distribution of electronic components. Based in Hongkong, we have already established firm and mutual-benefit business relationships with customers from,Europe,America and south Asia,supplying obsolete and hard-to-find components to meet their specific needs.

With the principle of "Quality Parts,Customers Priority,Honest Operation,and Considerate Service",our business mainly focus on the distribution of electronic components. Line cards we deal with include Microchip,ALPS,ROHM,Xilinx,Pulse,ON,Everlight and Freescale. Main products comprise IC,Modules,Potentiometer,IC Socket,Relay,Connector.Our parts cover such applications as commercial,industrial, and automotives areas.

We are looking forward to setting up business relationship with you and hope to provide you with the best service and solution. Let us make a better world for our industry!



## Contact us

Tel: +86-755-8981 8866 Fax: +86-755-8427 6832

Email & Skype: info@chipsmall.com Web: www.chipsmall.com

Address: A1208, Overseas Decoration Building, #122 Zhenhua RD., Futian, Shenzhen, China



NUMBER 175194

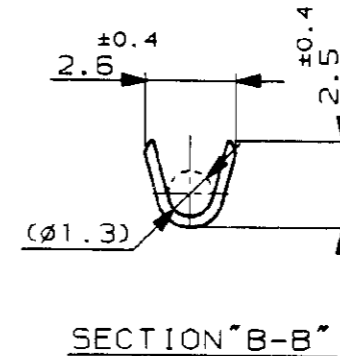
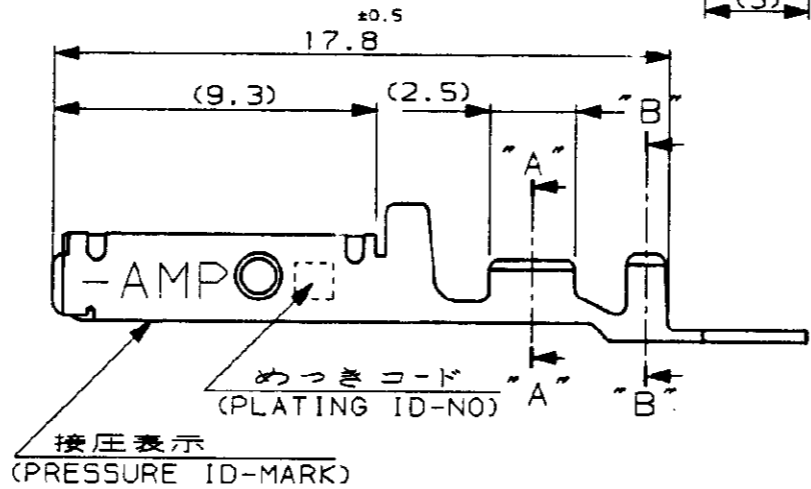
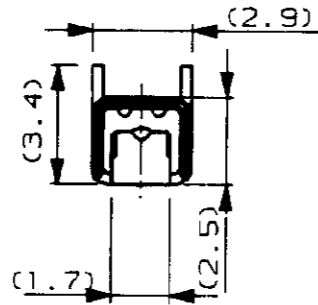
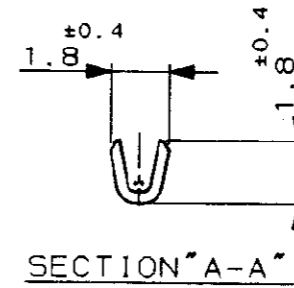
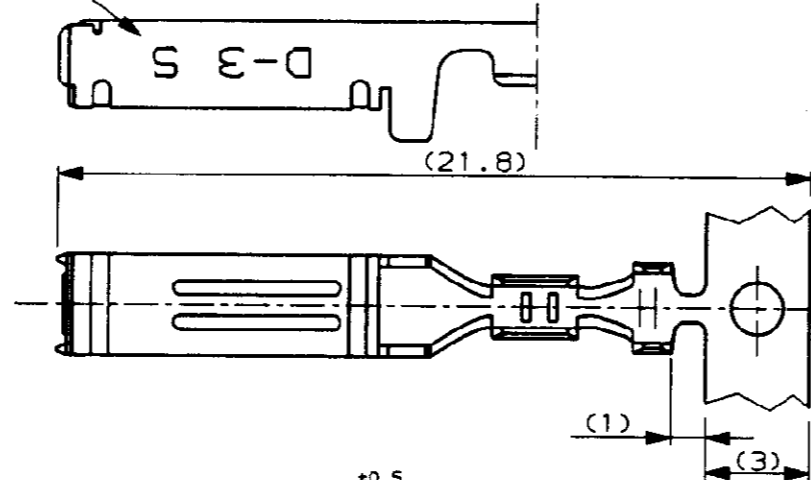


METRIC

U. 855-111 > U. DMG > S. C89-25173  
単位: ㎜ DIMENSIONS IN MM. DO NOT SCALE PRINT

PRINT DIST

ワイヤレンジ  
WIRE RANGE  
ID MARK



注記

- △ 低接圧型コンタクト：一般向け及び多極用
- △ 高接圧型コンタクト：高電流用及び強振動用
- △ 金めっきは接触部のみとする

NOTES

- △ CONTACT TYPE, LOW PRESSURE TYPE (FOR GENERAL)
- △ CONTACT TYPE, HIGH PRESSURE TYPE (FOR HIGH CURRENT OR ANTI-VIBRATION)
- △ GOLD-PL. CONTACT AREA ONLY

|             |                |                    |                                    |    |               |
|-------------|----------------|--------------------|------------------------------------|----|---------------|
|             |                |                    |                                    |    |               |
| △           | H              | 5                  | 光沢錫めっき (BRIGHT TIN-PL.)            | 1- | -5            |
|             |                | 3                  | 0.76µm最小金めっき (0.76µmMIN. Au-PL.)   | 1- | -3            |
|             |                | 2                  | 0.38µm最小金めっき (0.38µmMIN. Au-PL.)   | 1- | -2            |
| △           | OBSELETE       | <del>5</del>       | <del>光沢錫めっき (BRIGHT TIN-PL.)</del> |    | <del>-5</del> |
|             |                | 3                  | 0.76µm最小金めっき (0.76µmMIN. Au-PL.)   |    | -3            |
|             |                | 2                  | 0.38µm最小金めっき (0.38µmMIN. Au-PL.)   |    | 175194-2      |
| 備考 (REMARK) | 接圧表示 (ID-MARK) | めっきコード (PL. ID NO) | 仕上 (FINISH)                        |    | 型番 (P/N)      |



組合線径範囲 (WIRE RANGE) AWG 28-24 (0.08-0.2mmSQ) 絶縁外径 (INSULATION DIA.) 0.8-1.4 mmφ 名称 (NAME) "S" SIZE (DYNAMIC SERIES REC. CONTACT) ダイナミックシリーズリセパタクルコンタクト

材料 (MATERIAL) (COPPER ALLOY) 銅合金 仕上 (FINISH) (SEE TABLE) 覆参照 一般公差 (GENERAL TOLERANCE) 10mm以下: ±0.2 10mm以上 30mm以下: ±0.25 30mm以上 100mm以下: ±0.3 角 度: ±3°

|     |                           |    |     |          |
|-----|---------------------------|----|-----|----------|
| A3  | REVISED PER ECO-11-005294 | RK | HMR | 06APR 11 |
| LTR | 変更 (REVISION RECORD)      | DR | CHK | DATE     |

DR. 6/27/'90 T-YONEBAYASHI  
CHK. 14 FEB '91 H.OBATA  
OE. T-YONEBAYASHI  
APP. 14 FEB '91 S.MANABE

SIZE LOC 175194  
B J  
REV. A3 SHEET 1 OF 1  
尺度 (SCALE) 5-1

(CUSTOMER DRAWING) 参考 面