



Chipsmall Limited consists of a professional team with an average of over 10 year of expertise in the distribution of electronic components. Based in Hongkong, we have already established firm and mutual-benefit business relationships with customers from,Europe,America and south Asia,supplying obsolete and hard-to-find components to meet their specific needs.

With the principle of “Quality Parts,Customers Priority,Honest Operation,and Considerate Service”,our business mainly focus on the distribution of electronic components. Line cards we deal with include Microchip,ALPS,ROHM,Xilinx,Pulse,ON,Everlight and Freescale. Main products comprise IC,Modules,Potentiometer,IC Socket,Relay,Connector.Our parts cover such applications as commercial,industrial, and automotives areas.

We are looking forward to setting up business relationship with you and hope to provide you with the best service and solution. Let us make a better world for our industry!



Contact us

Tel: +86-755-8981 8866 Fax: +86-755-8427 6832

Email & Skype: info@chipsmall.com Web: www.chipsmall.com

Address: A1208, Overseas Decoration Building, #122 Zhenhua RD., Futian, Shenzhen, China

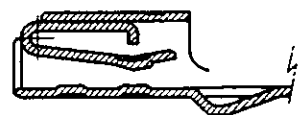
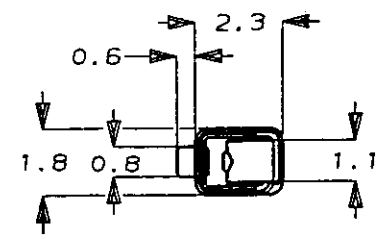


NUMBER C-175197

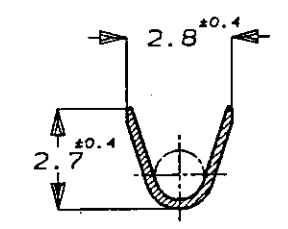
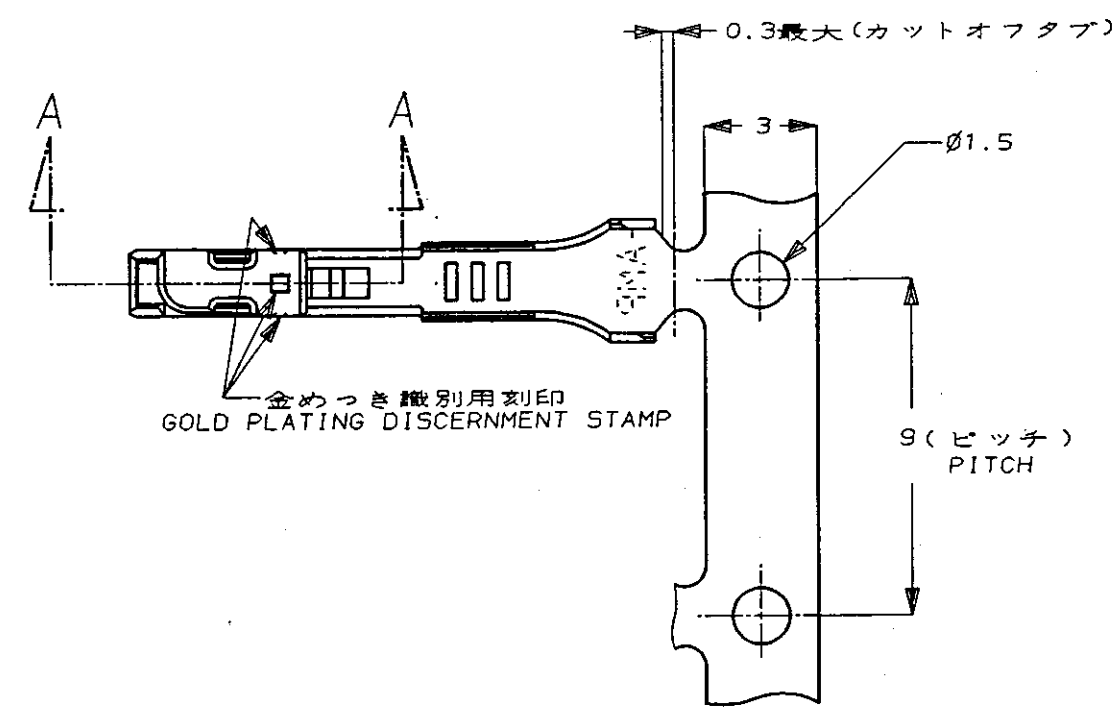


METRIC

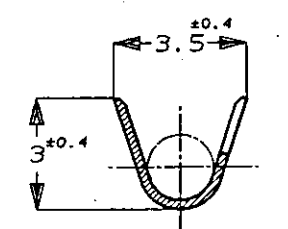
PRINT DIST
単位: 概 DIMENSIONS IN MM. DO NOT SCALE PRINT



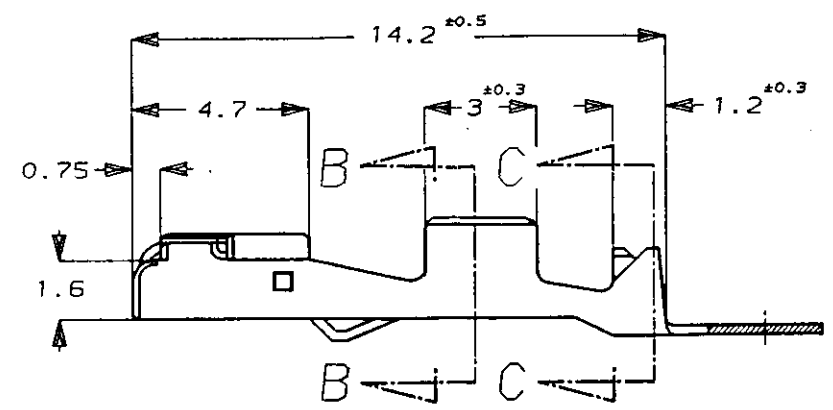
断面 A-A SECTION



断面 B-B SECTION



断面 C-C SECTION



注 ;
1. 取付適用規格番号 114-5149
NOTE ;
1. APPLICATION SPEC NO. 114-5149

| | | | | | | | |
|---------------------------------------|--|---|--|--|--|--|--|
| | | 179422-2 | | 部分金めつき (SELECTIVE GOLD) | | 175197-2 | |
| | | バラ端子型番 | | 仕上げ (FINISH) | | AMP型番 (PART NUMBER) | |
| Copyright ©1990年 日本エー・エム・ピー株式会社 | | | | Copyright ©1990 AMP (Japan), LTD. ALL RIGHTS RESERVED. | | | |
| | | | | AMP | | | |
| | | | | 日本エー・エム・ピー株式会社 Tokyo, Japan | | | |
| C 改訂 (FJ00-0153-94) OK 7/94 | | AVSS 0.5-1.25 mm ² (ANG -) | | 1.6 - 2.2 mmφ | | RECEPTACLE CONTACT .040 SERIES SEALED PAIR MATE CONNECTOR リセパタクル コンタクト | |
| B REVISED FJ00-0151-93 HY KA 3/12 '93 | | 材料 (MATERIAL) PHOS. BRO | | 仕上 (FINISH) SELECTIVE GOLD 部分金めつき | | .040シリーズ シールド ペアメイト コネクタ | |
| A REVISED J-1281 TS KA 6/29 '92 | | 1) 青銅 t=0.25 | | | | 一般公差 (GENERAL TOLERANCE) | |
| O RELEASED J-0357 TS KA 10/23 '91 | | DR J. Sagawa 10/21 '91 | | DR J. Sagawa 10/21 '91 | | LOD 番号 (No.) | |
| LTR 変更 (REVISION RECORD) DR CHK DATE | | CHK Q. Ogawa 10/23 '91 | | APP M. Ohtsuka 10/23 '91 | | B J C-175197 | |
| | | | | | | 尺度 (SCALE) 5-1 | |
| | | | | | | REV. C | |
| | | | | | | SHEET 1 OF 1 | |