



Chipsmall Limited consists of a professional team with an average of over 10 year of expertise in the distribution of electronic components. Based in Hongkong, we have already established firm and mutual-benefit business relationships with customers from,Europe,America and south Asia,supplying obsolete and hard-to-find components to meet their specific needs.

With the principle of “Quality Parts,Customers Priority,Honest Operation,and Considerate Service”,our business mainly focus on the distribution of electronic components. Line cards we deal with include Microchip,ALPS,ROHM,Xilinx,Pulse,ON,Everlight and Freescale. Main products comprise IC,Modules,Potentiometer,IC Socket,Relay,Connector.Our parts cover such applications as commercial,industrial, and automotives areas.

We are looking forward to setting up business relationship with you and hope to provide you with the best service and solution. Let us make a better world for our industry!



Contact us

Tel: +86-755-8981 8866 Fax: +86-755-8427 6832

Email & Skype: info@chipsmall.com Web: www.chipsmall.com

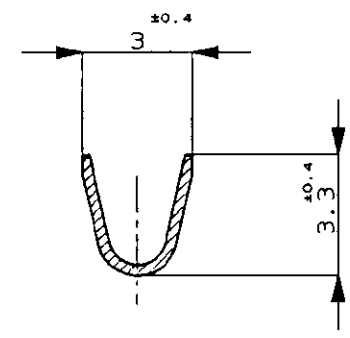
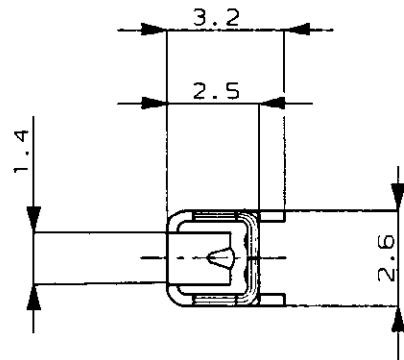
Address: A1208, Overseas Decoration Building, #122 Zhenhua RD., Futian, Shenzhen, China



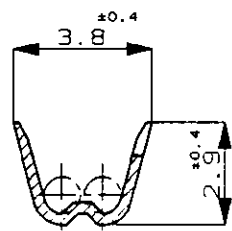
/med/aut/new/u.095-01/7/u.product/s.c-175221

PRINT DIST DIMENSIONS IN MILLIMETERS. DO NOT SCALE PRINT

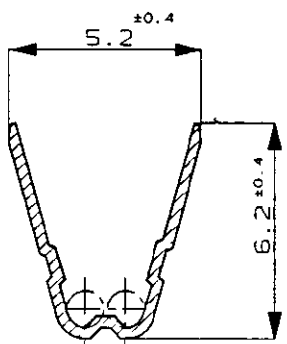
METRIC 3rd ANGLE PROJECTION C-175221



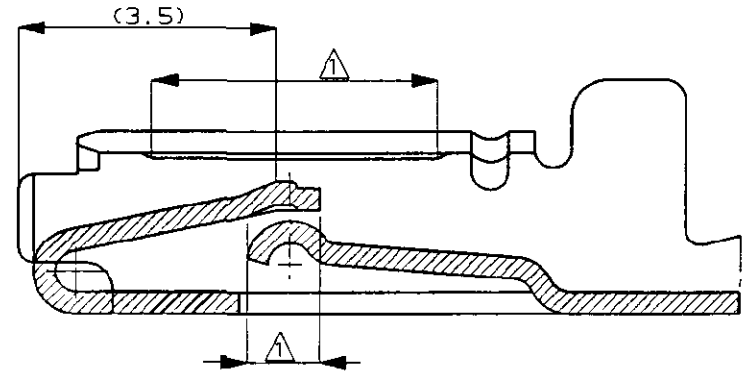
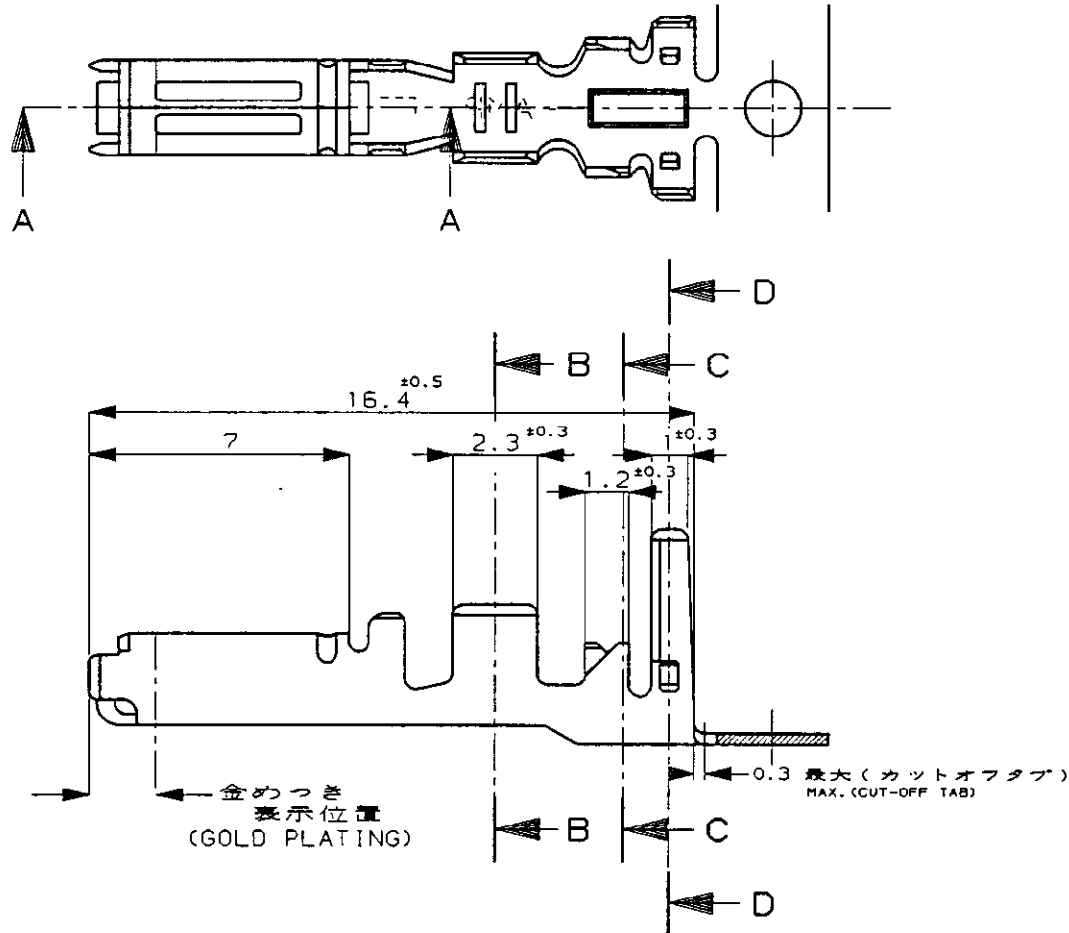
SECT. 断面 B-B



SECT. 断面 C-C



SECT. 断面 D-D



SECT. 断面 A-A
尺度: 10-1
SCALE

注;
△ 部分金めつき
2 圧着規格: 114-5156

NOTE;
△ SELECTIVE GOLD
2 APPLICATION SPEC; 114-5156

部分金めつき (SELECTIVE GOLD PLATING)	175221-2
錫めつき済 (PRE-TINNED)	175221-1
仕上げ (FINISH)	製品型番 (PART NO.)

Copyright ©1990年 日本エー・エム・ピー株式会社		Copyright ©1990 AMP (Japan) LTD. ALL RIGHTS RESERVED.		AMP 日本エー・エム・ピー株式会社 Tokyo, Japan	
電線範囲 (WIRE RANGE)	被覆外径 (INSULATION DIA.)	名称 (NAME)			
0.5-1.25mm (AWG#20-#16)	1.2-2.2 mmφ	薄肉電線用 .070シリーズ リセプタクル コンタクト .070 SERIES RECEPTACLE CONTACT FOR THIN INS. WIRE			
材料 (MATERIAL)	仕上げ (FINISH)	一般公差 (GENERAL TOLERANCES)		SIZE	LOC
KLF-5, 板厚: 0.3 (THICKNESS)	表参照 (SEE TABLE)	0 <= < 10 : ±0.2 10 <= < 30 : ±0.25 30 <= < 100 : ±0.3 角度 (ANGLES): ±3°		A3	J
A 変更 REVISED FJ00-2863-95	DR. Y. Fujimori 5/31'91	DR. S. Nagamine 5/31'91		番号 (NUMBER)	
O 作成 RELEASED J-0021	AN KA 5/31'91	CHK. S. Nagamine 5/31'91		C-175221	
LTR REVISION RECORD	DR CHK DATE	APP. M. Sakuma 5/31'91		尺度 (SCALE)	REV. SHEET
				5-1	A 1 OF 1

(CUSTOMER DRAWING) 参考 図 面