



Chipsmall Limited consists of a professional team with an average of over 10 year of expertise in the distribution of electronic components. Based in Hongkong, we have already established firm and mutual-benefit business relationships with customers from,Europe,America and south Asia,supplying obsolete and hard-to-find components to meet their specific needs.

With the principle of "Quality Parts,Customers Priority,Honest Operation,and Considerate Service",our business mainly focus on the distribution of electronic components. Line cards we deal with include Microchip,ALPS,ROHM,Xilinx,Pulse,ON,Everlight and Freescale. Main products comprise IC,Modules,Potentiometer,IC Socket,Relay,Connector.Our parts cover such applications as commercial,industrial, and automotives areas.

We are looking forward to setting up business relationship with you and hope to provide you with the best service and solution. Let us make a better world for our industry!



Contact us

Tel: +86-755-8981 8866 Fax: +86-755-8427 6832

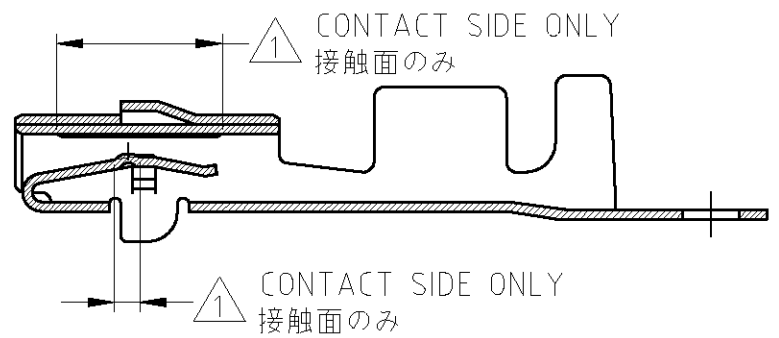
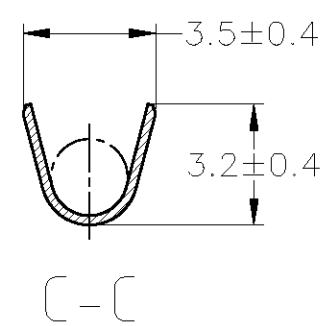
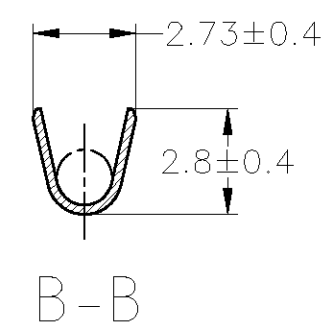
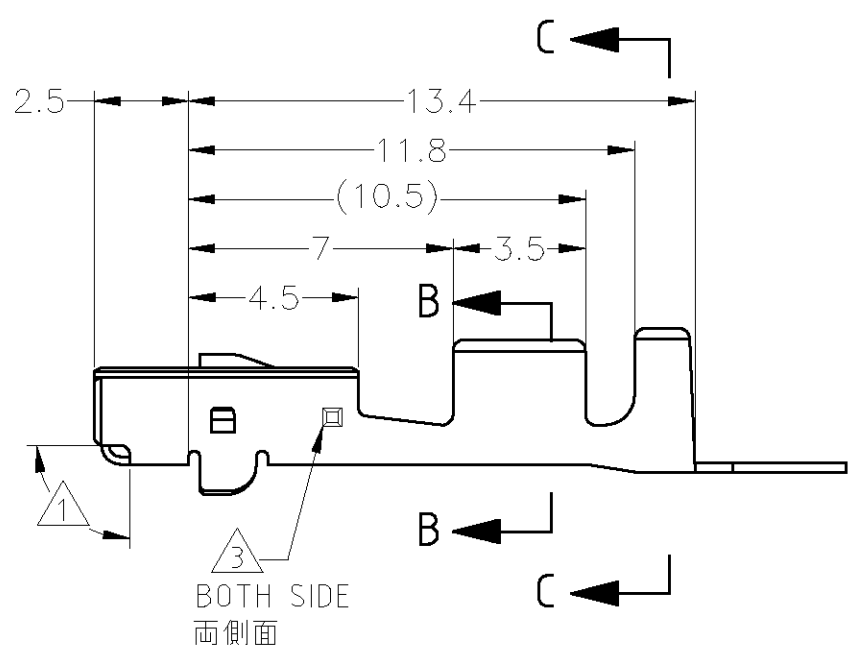
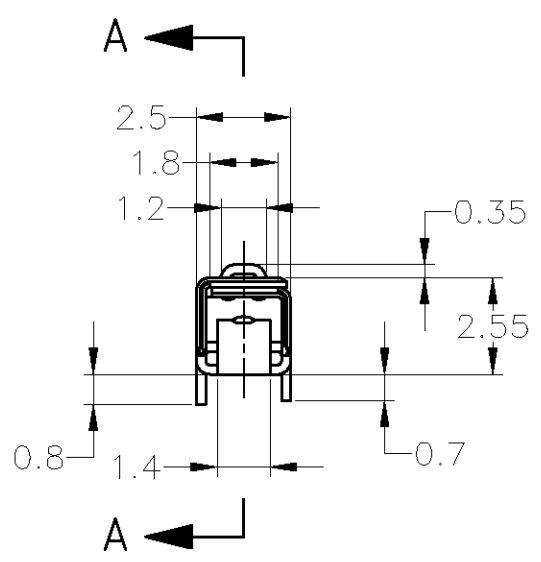
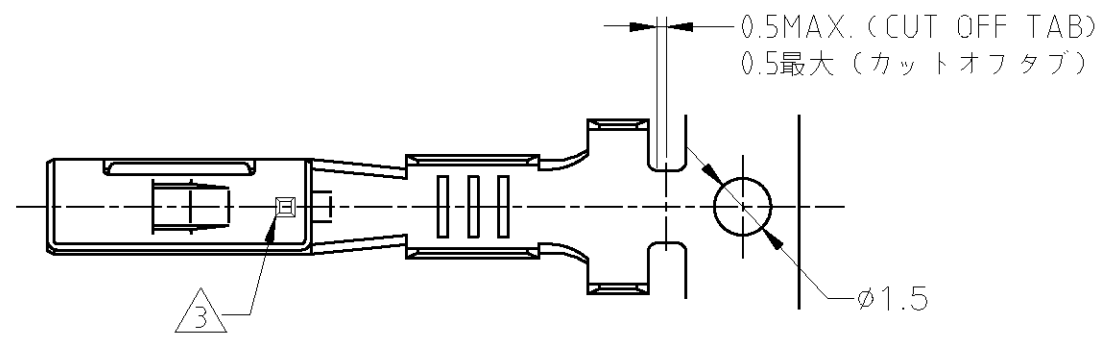
Email & Skype: info@chipsmall.com Web: www.chipsmall.com

Address: A1208, Overseas Decoration Building, #122 Zhenhua RD., Futian, Shenzhen, China



THIS DRAWING IS UNPUBLISHED. RELEASED FOR PUBLICATION
 © COPYRIGHT - By Tyco Electronics JAPAN G.K. ALL RIGHTS RESERVED.

LOC	DIST	REVISIONS			
P	LTR	DESCRIPTION	DATE	DWN	APVD
J	-	F1 REDRAWN W/CHANGE	ECR-12-012125	05JUL2012	TS KB



- ① SELECTIVE GOLD
 - ② APPLICATION SPEC NO. 114-5160
 - ③ GOLD PLATING DISCERNMENT STAMP
- ① 部分金めっき
 - ② 取付適用規格番号 114-5160
 - ③ 金めっき識別用刻印

ZKLF-5	-	SELECTIVE GOLD	175276-5
BRASS	179426-2	SELECTIVE GOLD	175276-2
MATERIAL	LOOSE PIECE CONTACT PN	FINISH	PART NUMBER

THIS DRAWING IS A CONTROLLED DOCUMENT.

DIMENSIONS: mm	TOLERANCES UNLESS OTHERWISE SPECIFIED:
	0 PLC ± -
	1 PLC ± -
	2 PLC ± -
	3 PLC ± -
	4 PLC ± -
	ANGLES ± -
MATERIAL SEE TABLE	FINISH SEE TABLE

TOLERANCES UNLESS OTHERWISE SPECIFIED:
一般公差

10 ≥	: ±0.2
30 ≥ > 10	: ±0.25
100 ≥ > 30	: ±0.3
ANGLE	: ±3°

DWN T.SHINOHARA	05JUL2012	STE TE Connectivity	
CHK K.BETSUI	05JUL2012		
APVD K.BETSUI	05JUL2012	NAME	
PRODUCT SPEC	-	070II SERIES M RECEPTACLE CONTACT	
APPLICATION SPEC	SEE NOTE	SIZE	RESTRICTED TO
WEIGHT	0.28 g	A3 00779	-
CUSTOMER DRAWING		DRAWING NO	C-175276
		SCALE	5:1
		SHEET	1 OF 1
		REV	F1