



Chipsmall Limited consists of a professional team with an average of over 10 year of expertise in the distribution of electronic components. Based in Hongkong, we have already established firm and mutual-benefit business relationships with customers from,Europe,America and south Asia,supplying obsolete and hard-to-find components to meet their specific needs.

With the principle of “Quality Parts,Customers Priority,Honest Operation,and Considerate Service”,our business mainly focus on the distribution of electronic components. Line cards we deal with include Microchip,ALPS,ROHM,Xilinx,Pulse,ON,Everlight and Freescale. Main products comprise IC,Modules,Potentiometer,IC Socket,Relay,Connector.Our parts cover such applications as commercial,industrial, and automotives areas.

We are looking forward to setting up business relationship with you and hope to provide you with the best service and solution. Let us make a better world for our industry!



Contact us

Tel: +86-755-8981 8866 Fax: +86-755-8427 6832

Email & Skype: info@chipsmall.com Web: www.chipsmall.com

Address: A1208, Overseas Decoration Building, #122 Zhenhua RD., Futian, Shenzhen, China



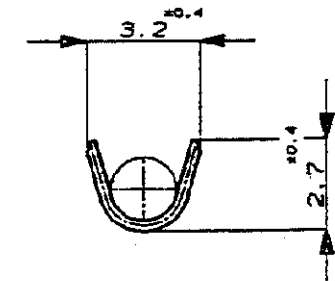
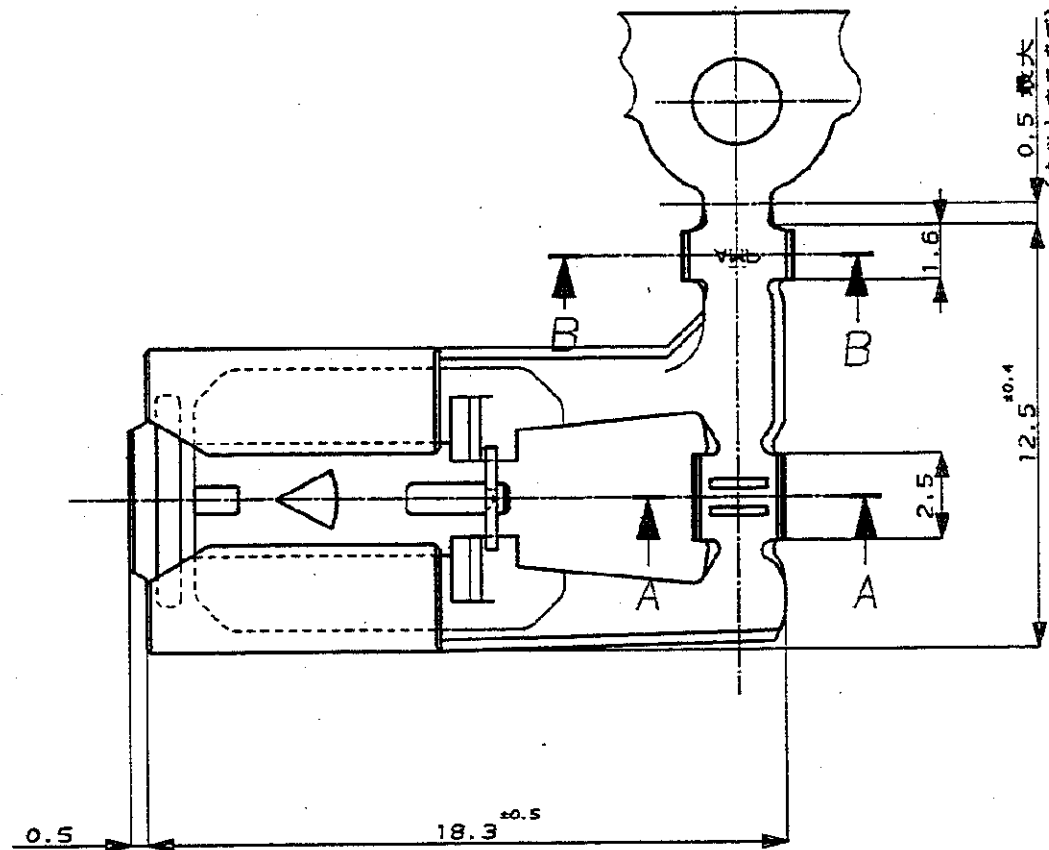
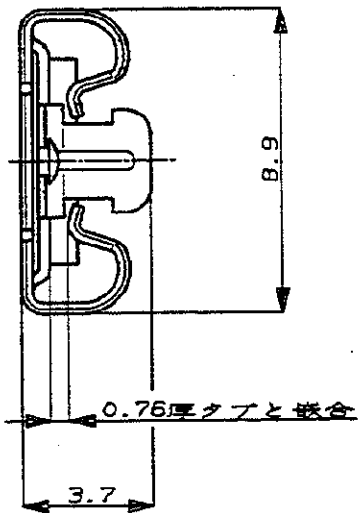
DEPT5270>E20501>U.312>S.C-175277R

NUMBER
C-175277

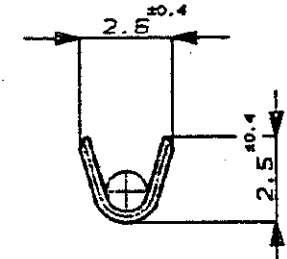


METRIC

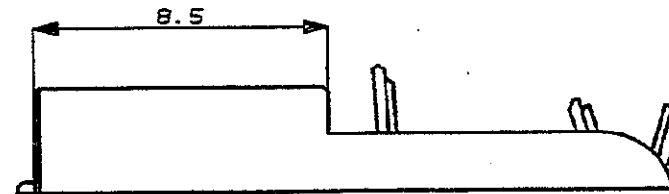
PRINT DIST
単位: 概 DIMENSIONS IN MM. DO NOT SCALE PRINT



断面 B-B
SECT.



断面 A-A
SECT.



注:

- 1 通用ハウジング型番 172615
- 2 通用製品規格 NO.108-5131
- 3 通用圧着規格 NO.114-5164

NOTE,

- 1. THE MATING PLUG HOUSING PART NUMBER; 172615
- 2. PRODUCT SPEC. No. 108-5131
- 3. APPLICATION SPEC. No. 114-5164

				Copyright ©1991年 AMP (Japan), LTD. ALL RIGHTS RESERVED.		Copyright ©1991 AMP (Japan), LTD. ALL RIGHTS RESERVED.		AMP 東京エレクトリック株式会社 Tokyo, Japan	
				組合電線断面径 (WIRE RANGE)	被覆外径 (INSULATION DIA.)	名称 (NAME) .312 SERIES POSITIVE LOCK RECEPTACLE .312 シリーズ ポジティブロックリセプタクル FLAG R-TYPE FOR THIN. INS. WIRE 薄肉電線用 旗型 Rタイプ			
				0.5-0.85mm ² (AWG20-14)	1.3-1.8 mmφ				
				材料 (MATERIAL)	仕上 (FINISH)	一般公差 (GENERAL TOLERANCE)			
				黄銅; BRASS	PRE-TIN. 錫めつき	10% ±0.2 10% ±0.25 30% ±0.3 角 ±3°			
0	作成	J-0015	YF	AT	5/29/91	DR.	R Yamaguchi	DE.	
LTR	変更 (REVISION RECORD)		DR	CHK	DATE	CHK.		APP	Tanaka 5/29/91
						SIZE	LOC	番号 (No.)	
						A3	J	C-175277	
						尺度 (SCALE)	REV.	SHEET	
						5-1	0	1 OF 1	

(CUSTOMER DRAWING) 参考 ☒ 面