



Chipsmall Limited consists of a professional team with an average of over 10 year of expertise in the distribution of electronic components. Based in Hongkong, we have already established firm and mutual-benefit business relationships with customers from,Europe,America and south Asia,supplying obsolete and hard-to-find components to meet their specific needs.

With the principle of “Quality Parts,Customers Priority,Honest Operation,and Considerate Service”,our business mainly focus on the distribution of electronic components. Line cards we deal with include Microchip,ALPS,ROHM,Xilinx,Pulse,ON,Everlight and Freescale. Main products comprise IC,Modules,Potentiometer,IC Socket,Relay,Connector.Our parts cover such applications as commercial,industrial, and automotives areas.

We are looking forward to setting up business relationship with you and hope to provide you with the best service and solution. Let us make a better world for our industry!



Contact us

Tel: +86-755-8981 8866 Fax: +86-755-8427 6832

Email & Skype: info@chipsmall.com Web: www.chipsmall.com

Address: A1208, Overseas Decoration Building, #122 Zhenhua RD., Futian, Shenzhen, China



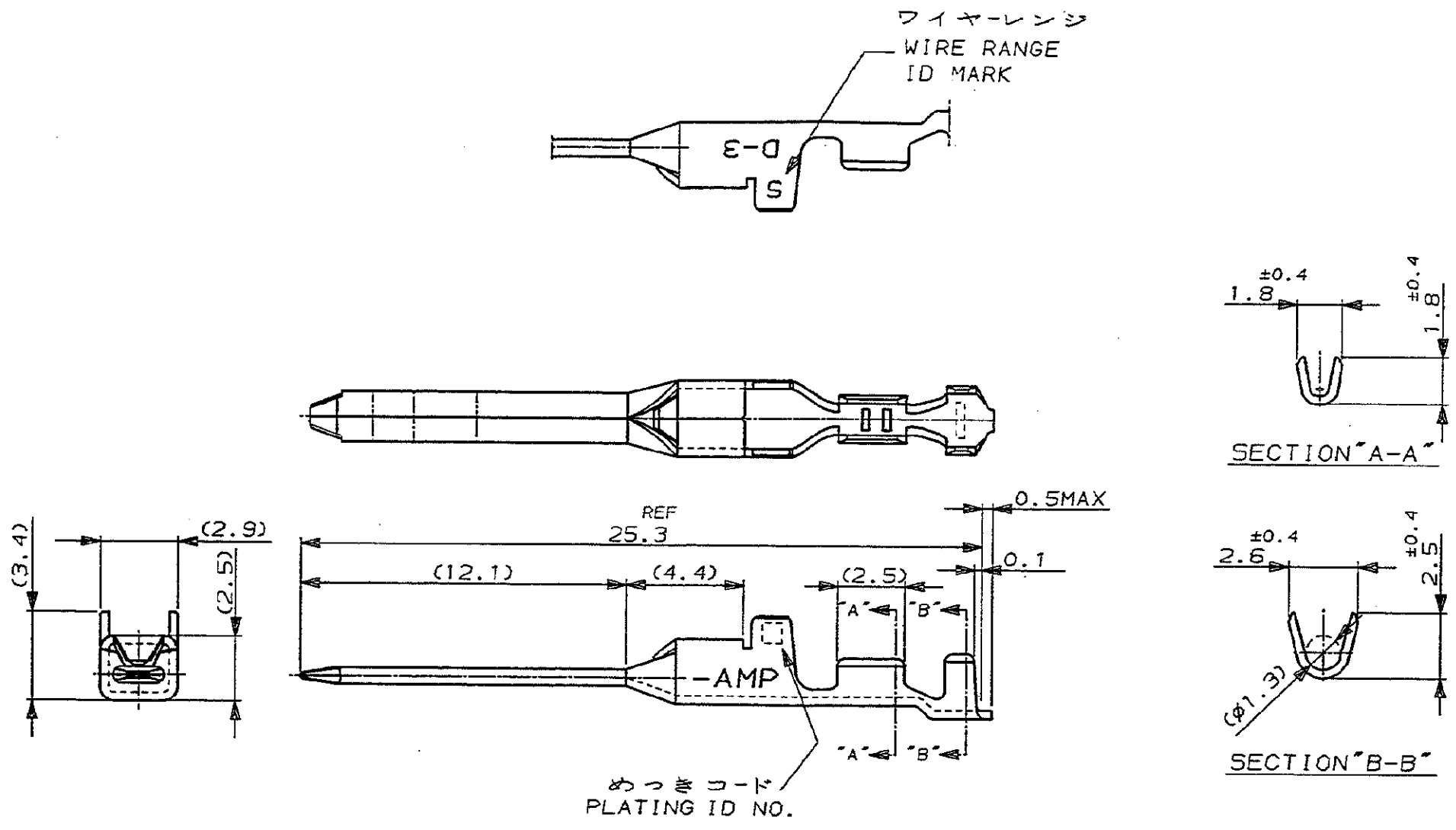
PRINT DIST U.855-111>U.DWG>S.C89-25173 UAS 91-25168-2,4,5 PROJ NO 391-604 METRIC NUMBER C-175287

併記

△ 金めっきは接触部のみとする

NOTE

△ GOLD-PL. CONTACT AREA ONLY



5	光沢錫めっき (BRIGHT TIN-PL.)	-5
3	△ 0.76μm最小金めっき (0.76μmMIN. Au-PL.)	-3
2	△ 0.38μm最小金めっき (0.38μmMIN. Au-PL.)	175287-2
めっきコード (PL. ID NO.)	仕上 (FINISH)	型番 (P/N)

材料 (MATERIAL) (COPPER ALLOY) 銅合金	仕上 (FINISH) 表参照	一般公差 (GENERAL TOLERANCED)	SIZE LOC 番号 (No.)
DR. 2 MAR 92 N. Matsubara	DE. 2 MAR 92 N. Matsubara	10mm下: ±0.2 10mm以上 30mm下: ±0.25 30mm以上 100mm下: ±0.3 角: ±3°	B J C-175287
CHK. 4 MAR 92 H. Oshita	APP. 5 MAR 92 S. MANABE	尺取 (SCALE) 5-1	REV. P SHEET 1 OF 1

(CUSTOMER DRAWING) 参考 面