



Chipsmall Limited consists of a professional team with an average of over 10 year of expertise in the distribution of electronic components. Based in Hongkong, we have already established firm and mutual-benefit business relationships with customers from,Europe,America and south Asia,supplying obsolete and hard-to-find components to meet their specific needs.

With the principle of “Quality Parts,Customers Priority,Honest Operation,and Considerate Service”,our business mainly focus on the distribution of electronic components. Line cards we deal with include Microchip,ALPS,ROHM,Xilinx,Pulse,ON,Everlight and Freescale. Main products comprise IC,Modules,Potentiometer,IC Socket,Relay,Connector.Our parts cover such applications as commercial,industrial, and automotives areas.

We are looking forward to setting up business relationship with you and hope to provide you with the best service and solution. Let us make a better world for our industry!



## Contact us

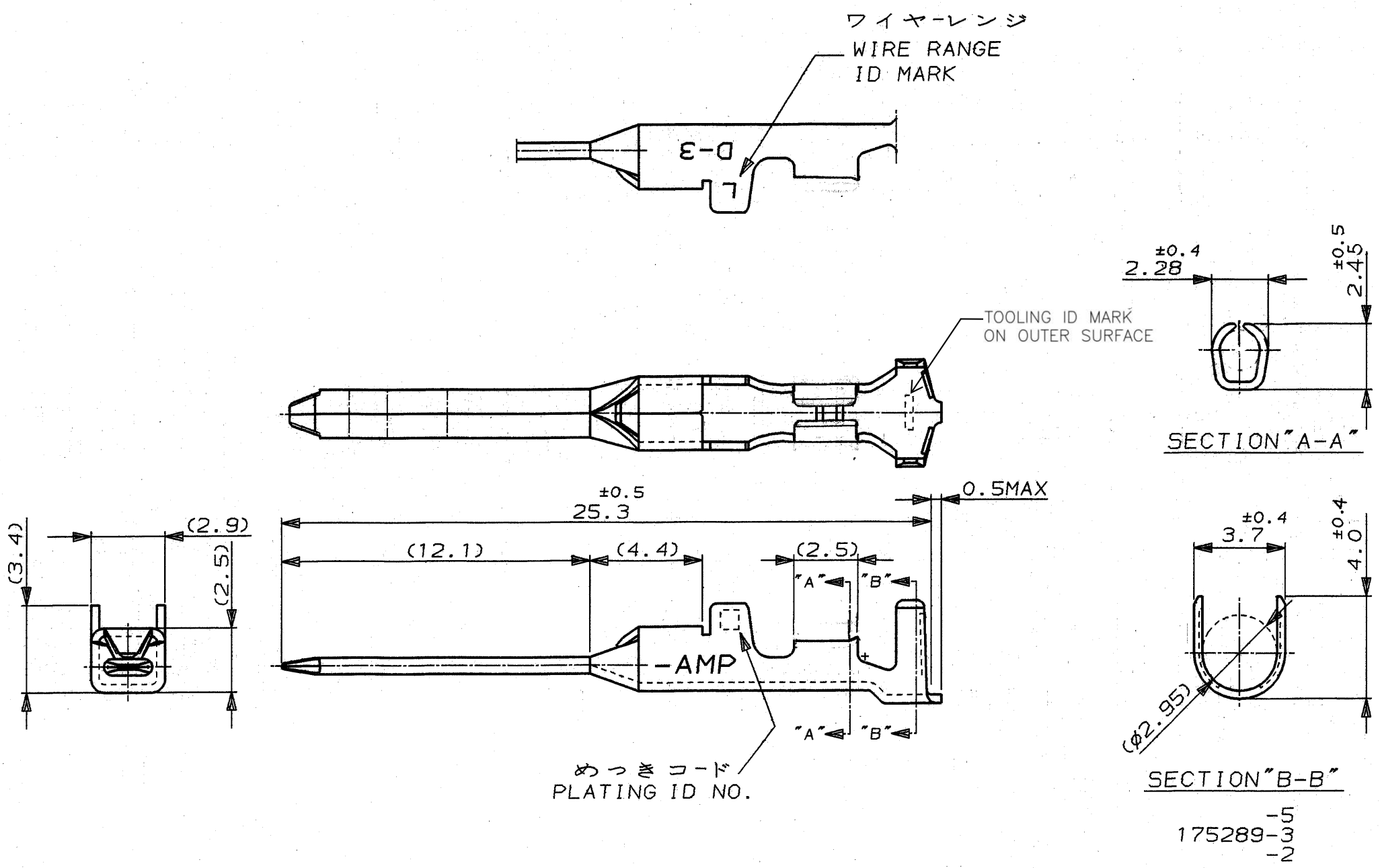
Tel: +86-755-8981 8866 Fax: +86-755-8427 6832

Email & Skype: info@chipsmall.com Web: www.chipsmall.com

Address: A1208, Overseas Decoration Building, #122 Zhenhua RD., Futian, Shenzhen, China



NUMBER C-175289  
 METRIC  
 U.855-111>U.DWG>S.C89-25173 WAS 91-25168-12,14,15  
 単位: 概 DIMENSIONS IN MM. DO NOT SCALE PRINT PROJ NO 391-604.  
 PRINT DIST



注記  
 ⚠ 金めっきは接触部のみとする  
 NOTE  
 ⚠ GOLD-PL. CONTACT AREA ONLY

5	光沢錫めっき (BRIGHT TIN-PL.)	-5
3	⚠ 0.76μm最小金めっき (0.76μmMIN. Au-PL.)	-3
2	⚠ 0.38μm最小金めっき (0.38μmMIN. Au-PL.)	175289-2
めっきコード (PL. ID NO.)	仕上 (FINISH)	型番 (P/N)



包合電線断面積 (WIRE RANGE) AWG 20-16	被覆外径 (INSULATION DIA.) 1.8-2.8 mmφ	名称 (NAME) DYNAMIC D-3 SERIES TAB CONTACT "L" SIZE LOOSE PIECE ダイナミック D-3シリ-ズタブコンタクト
材料 (MATERIAL) (COPPER ALLOY) 銅合金	仕上 (FINISH) (SEE TABLE) 表参照	一般公差 (GENERAL TOLERANCE) 10以下: ±0.2 10を超え 30以下: ±0.25 30を超え 100以下: ±0.3 角度: ±3°
材料 (MATERIAL) (COPPER ALLOY) 銅合金	仕上 (FINISH) (SEE TABLE) 表参照	尺度 (SCALE) 5-1
番号 (No.) C-175289	寸法 (SCALE) 5-1	番号 (No.) C-175289
寸法 (SCALE) 5-1	寸法 (SCALE) 5-1	寸法 (SCALE) 5-1

R	REVISED PER ECR-15-011723	Y.O	E.T	10AUG 2015
P	REVISED PER ECO-11-005140	RK	HMR	05APR11
LTR	変更 (REVISION RECORD)	DR	CHK	DATE

DR.	2 MAR 92 N. Matsubara	DE.	2 MAR 92 N. Matsubara
CHK.	4 MAR 92 H. Obata	APP.	5-MAR-92 S. MANABE

(CUSTOMER DRAWING) 参考 図面