



Chipsmall Limited consists of a professional team with an average of over 10 year of expertise in the distribution of electronic components. Based in Hongkong, we have already established firm and mutual-benefit business relationships with customers from,Europe,America and south Asia,supplying obsolete and hard-to-find components to meet their specific needs.

With the principle of “Quality Parts,Customers Priority,Honest Operation,and Considerate Service”,our business mainly focus on the distribution of electronic components. Line cards we deal with include Microchip,ALPS,ROHM,Xilinx,Pulse,ON,Everlight and Freescale. Main products comprise IC,Modules,Potentiometer,IC Socket,Relay,Connector.Our parts cover such applications as commercial,industrial, and automotives areas.

We are looking forward to setting up business relationship with you and hope to provide you with the best service and solution. Let us make a better world for our industry!



Contact us

Tel: +86-755-8981 8866 Fax: +86-755-8427 6832

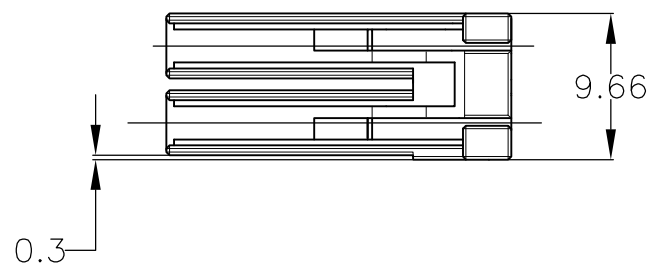
Email & Skype: info@chipsmall.com Web: www.chipsmall.com

Address: A1208, Overseas Decoration Building, #122 Zhenhua RD., Futian, Shenzhen, China



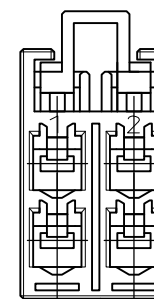
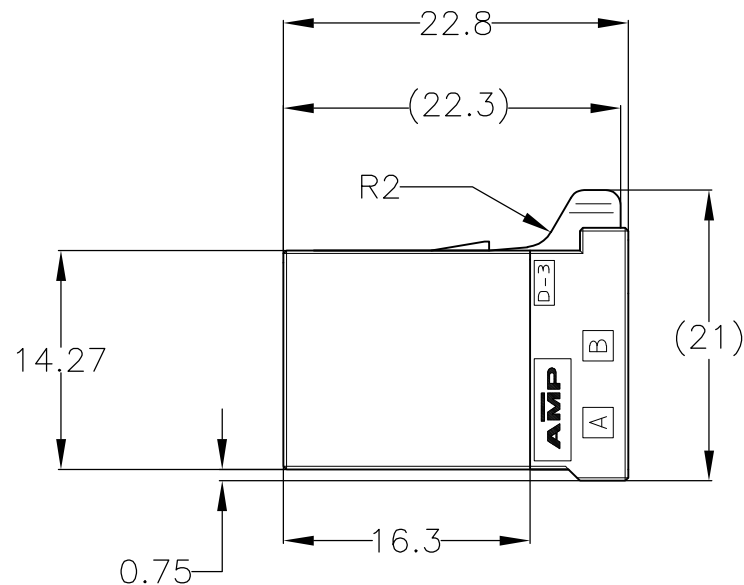
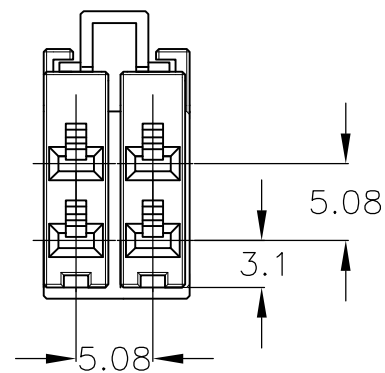
THIS DRAWING IS UNPUBLISHED. RELEASED FOR PUBLICATION
 © COPYRIGHT - By - ALL RIGHTS RESERVED.

LOC	DIST	REVISIONS					
J	-	P	LTR	DESCRIPTION	DATE	DWN	APVD
			E1	REVISED PER ECO-11-005030	11MAR11	RK	HMR



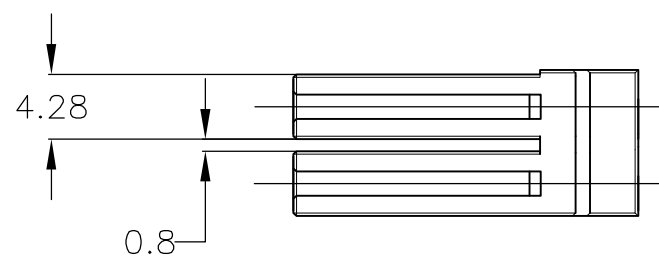
175363-1,-3;AS SHOWN
 △ 1,2,3,4-175363-1;AS SHOWN

1. MATERIAL : GLASS FILED THERMO PLASTIC POLYESTER, COLOR ; BLACK, NATURAL, BLUE, YELLOW, RED
2. CONTACT FOR THIS CONNECTOR : 175194,175195,175196
CONTACT FOR THIS CONNECTOR (L/P) : 175216,175217,175218
3. PRODUCT SPECIFICATION : 108-5349
4. QUALIFICATION TEST REPORT : 501-5013
- △ ITEM WITH DIFFERENT COLOR OF 175363-1 (SEE TABLE)
- △ SPECIAL LOCK SHAPE TYPE

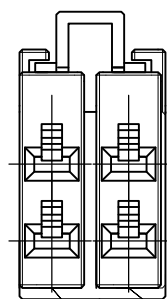


1. 材料 熱可塑性ポリエステル樹脂、色黒、白、青、黄、赤
2. 使用端子:175194,175195,175196
使用端子(L/P):175216,175217,175218
3. 製品規格:108-5349
4. 認定試験報告書:501-5013
- △ 175363-1の色違いアイテム(表参照)
- △ ロック形状違い

175363-1
 △ 1-175363-1
 2-175363-1
 3-175363-1
 4-175363-1
 TYPE A



KEY LESS	BLACK	175363-3	1 OF 2
X △	BLACK	175363-2	2 OF 2
X	RED	4-175363-1	1 OF 2
X	YELLOW	3-175363-1	1 OF 2
X	BLUE	2-175363-1	1 OF 2
X	NATURAL	1-175363-1	1 OF 2
X	BLACK	175363-1	1 OF 2
KEY	COLOR	PART NO	SEE SHEET



KEY LESS

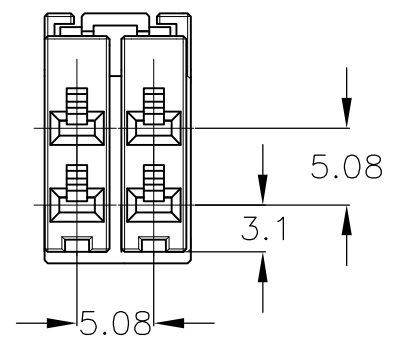
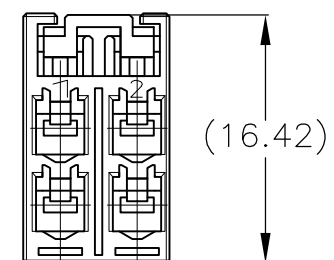
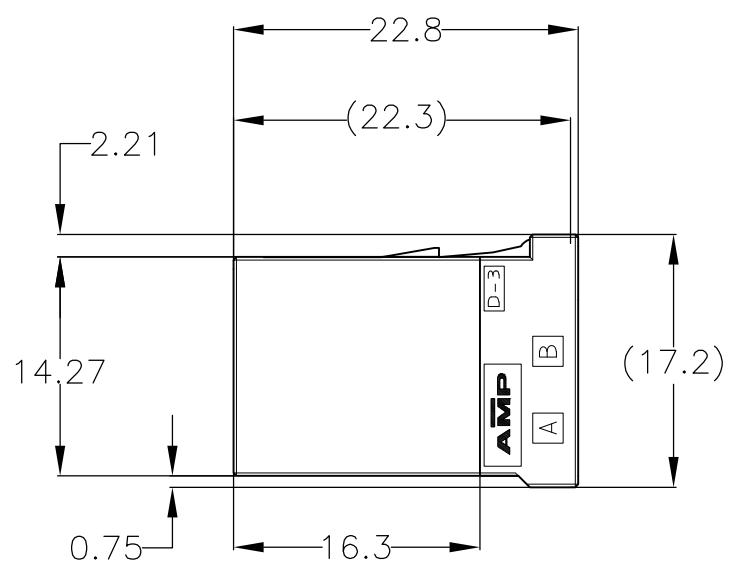
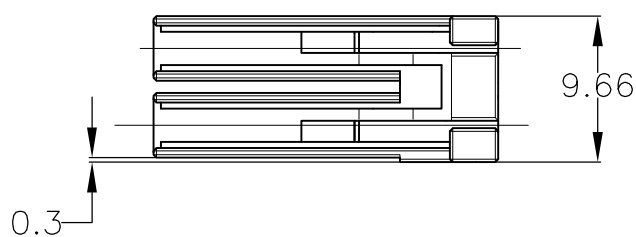
175363-3 ONLY
 TYPE C

THIS DRAWING IS A CONTROLLED DOCUMENT.		DWN	18MAR1992	TE Connectivity DYNAMIC (D-3500) REC HSG 4POS					
DIMENSIONS: mm		CHK	06APR1992						
TOLERANCES UNLESS OTHERWISE SPECIFIED:		APVD	06APR1992						
0 PLC ± 0.3 1 PLC ± 0.3 2 PLC ± 0.3 3 PLC ± - 4 PLC ± - ANGLES ± 3°		PRODUCT SPEC	108-5349						
MATERIAL -		FINISH -	APPLICATION SPEC	114-5148	SIZE	CAGE CODE	DRAWING NO	RESTRICTED TO	
		CUSTOMER DRAWING		WEIGHT	-	A3	00779	C-175363	-
				SCALE		2:1	SHEET		1 OF 2
								REV	E1

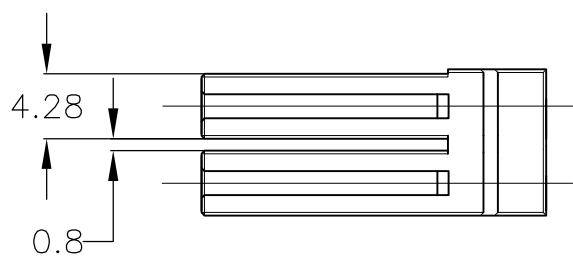
THIS DRAWING IS UNPUBLISHED. RELEASED FOR PUBLICATION
 © COPYRIGHT - By - ALL RIGHTS RESERVED.

LOC	DIST	REVISIONS			
P	LTR	DESCRIPTION	DATE	DWN	APVD
J	-	SEE SHEET 1	-	-	-

△175363-2;AS SHOWN



△175363-2 ONLY
TYPE B



- 1. MATERIAL : GLASS FILED THERMO PLASTIC POLYESTER, COLOR ; BLACK
- 2. CONTACT FOR THIS CONNECTOR : 175194,175195,175196
CONTACT FOR THIS CONNECTOR (L/P) : 175216,175217,175218
- 3. PRODUCT SPECIFICATION : 108-5349
- 4. QUALIFICATION TEST REPORT : 501-5013
- △ ITEM WITH DIFFERENT COLOR OF 175363-1 (SEE TABLE)
- △ SPECIAL LOCK SHAPE TYPE

- 1. 材料 熱可塑性ポリエステル樹脂、色黒
- 2. 使用端子:175194,175195,175196
使用端子(L/P):175216,175217,175218
- 3. 製品規格:108-5349
- 4. 認定試験報告書:501-5013
- △ 175363-1の色違いアイテム(表参照)
- △ ロック形状違い

THIS DRAWING IS A CONTROLLED DOCUMENT.		DWN T.YONEBAYASHI 18MAR1992	TE Connectivity		
DIMENSIONS: mm		CHK S.MANABE 06APR1992			
TOLERANCES UNLESS OTHERWISE SPECIFIED:		APVD S.MANABE 06APR1992	PRODUCT SPEC 108-5349		
0 PLC ± -		APPLICATION SPEC 114-5148			
1 PLC ± -		WEIGHT -		SIZE A3	CAGE CODE 00779
2 PLC ± -		CUSTOMER DRAWING		DRAWING NO C-175363	RESTRICTED TO -
3 PLC ± -		SCALE 2:1		SHEET 2 OF 2	REV E1
4 PLC ± -					
ANGLES ± -					
FINISH -					