



Chipsmall Limited consists of a professional team with an average of over 10 year of expertise in the distribution of electronic components. Based in Hongkong, we have already established firm and mutual-benefit business relationships with customers from,Europe,America and south Asia,supplying obsolete and hard-to-find components to meet their specific needs.

With the principle of “Quality Parts,Customers Priority,Honest Operation,and Considerate Service”,our business mainly focus on the distribution of electronic components. Line cards we deal with include Microchip,ALPS,ROHM,Xilinx,Pulse,ON,Everlight and Freescale. Main products comprise IC,Modules,Potentiometer,IC Socket,Relay,Connector.Our parts cover such applications as commercial,industrial, and automotives areas.

We are looking forward to setting up business relationship with you and hope to provide you with the best service and solution. Let us make a better world for our industry!



## Contact us

Tel: +86-755-8981 8866 Fax: +86-755-8427 6832

Email & Skype: info@chipsmall.com Web: www.chipsmall.com

Address: A1208, Overseas Decoration Building, #122 Zhenhua RD., Futian, Shenzhen, China



4

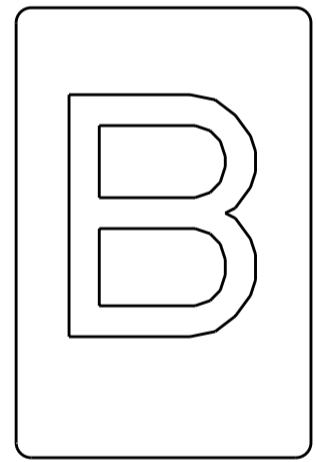
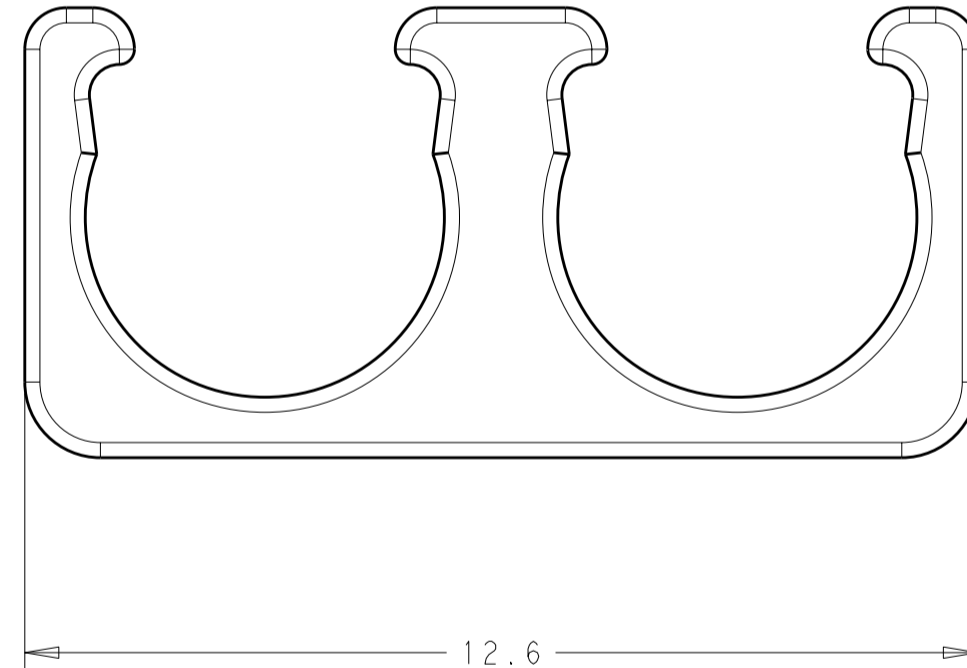
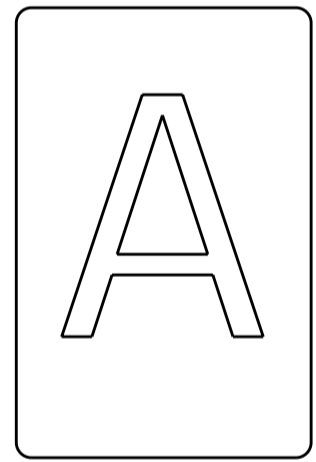
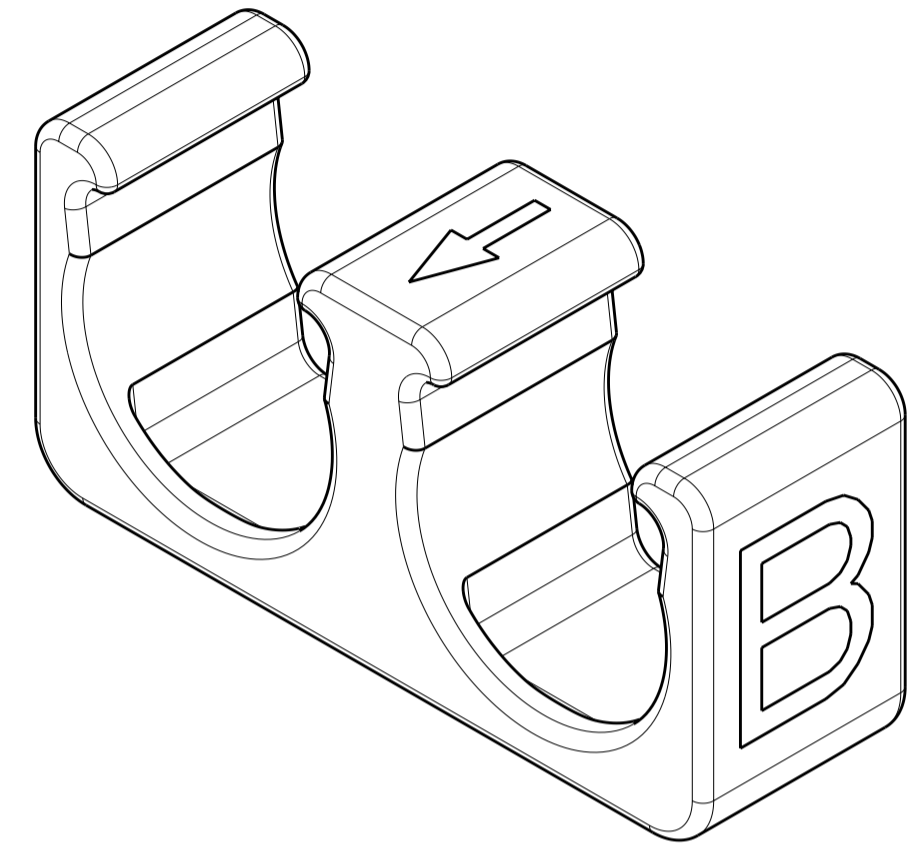
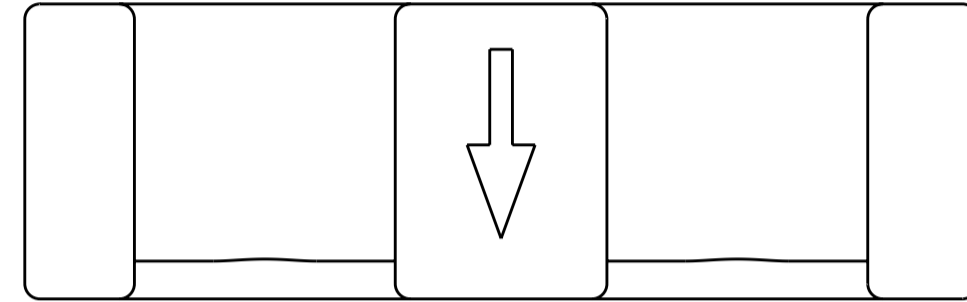
3

2

1

THIS DRAWING IS UNPUBLISHED. RELEASED FOR PUBLICATION 20  
 © COPYRIGHT 20 BY TYCO ELECTRONICS CORPORATION. ALL RIGHTS RESERVED.

LOC	DIST	REVISIONS			
P	LTR	DESCRIPTION	DATE	DWN	APVD
CE	00	A	REL PER ECO-07-007418	28MAR2007	DHR DHR
		B	REVISE PER ECR-08-025775	24OCT2008	BB CB
		C	REVISE PER ECR 09-021005	09OCT2009	DF SB
		D	REVISE PER ECR 09-021005	12OCT2009	DLG CB



△4	BEIGE	1754371-5
△4	BLUE	1754371-4
△1 △4	BLACK	△3 1754371-3 △2 1754371-2 1754371-1
COLOR		PART NO

- △1 MATERIAL: PC BLEND, UL 94 V-0 RATED AT QUALIFYING THICKNESS, SEE TABLE FOR COLORS.
- △2 BULK PACKAGED 6 PC PER BAG.
- △3 BULK PACKAGED 72 PC PER BAG.
- △4 MATERIAL: PEI/PCE BLEND, UL 94 V-0 RATED AT QUALIFYING THICKNESS, SEE TABLE FOR COLORS.

<small>THIS DRAWING IS A CONTROLLED DOCUMENT FOR TYCO ELECTRONICS CORPORATION IT IS SUBJECT TO CHANGE AND THE CONTROLLING ENGINEERING ORGANIZATION SHOULD BE CONTACTED FOR THE LATEST REVISION.</small>		DWN <u>D. ERDMAN</u> 24FEB2004 CHK <u>M. GURRERI</u> 24FEB2004 APVD <u>S. BUCHTER</u> 24FEB2004	Tyco Electronics Harrisburg, PA 17105-3608
DIMENSIONS: mm	TOLERANCES UNLESS OTHERWISE SPECIFIED: 0 PLC ± 1 PLC ±0.2 2 PLC ±0.2 3 PLC ± 4 PLC ± ANGLES ± FINISH	PRODUCT SPEC APPLICATION SPEC WEIGHT	NAME CLIP, DUPLEX, LightCrimp Plus LC
MATERIAL △1 △4 -	CUSTOMER DRAWING	SIZE A2	CAGE CODE 00779
		DRAWING NO 1754371	RESTRICTED TO -
		SCALE 10:1	SHEET 1 OF 1
			REV D