



Chipsmall Limited consists of a professional team with an average of over 10 year of expertise in the distribution of electronic components. Based in Hongkong, we have already established firm and mutual-benefit business relationships with customers from,Europe,America and south Asia,supplying obsolete and hard-to-find components to meet their specific needs.

With the principle of “Quality Parts,Customers Priority,Honest Operation,and Considerate Service”,our business mainly focus on the distribution of electronic components. Line cards we deal with include Microchip,ALPS,ROHM,Xilinx,Pulse,ON,Everlight and Freescale. Main products comprise IC,Modules,Potentiometer,IC Socket,Relay,Connector.Our parts cover such applications as commercial,industrial, and automotives areas.

We are looking forward to setting up business relationship with you and hope to provide you with the best service and solution. Let us make a better world for our industry!



Contact us

Tel: +86-755-8981 8866 Fax: +86-755-8427 6832

Email & Skype: info@chipsmall.com Web: www.chipsmall.com

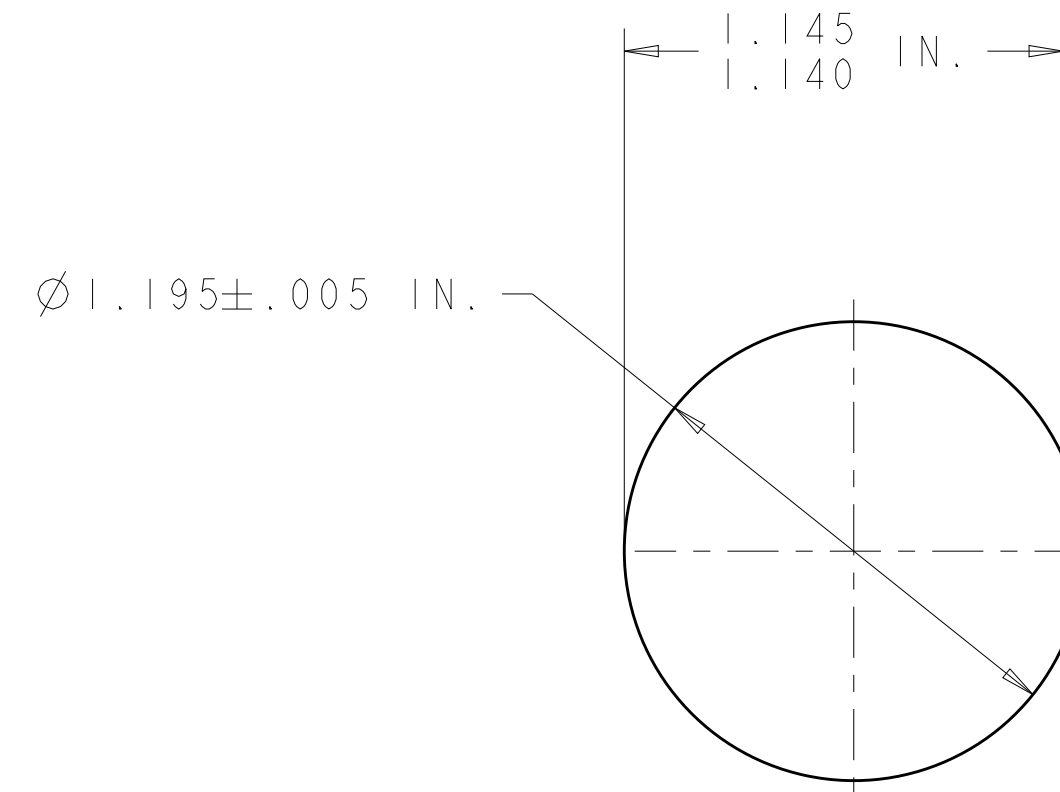
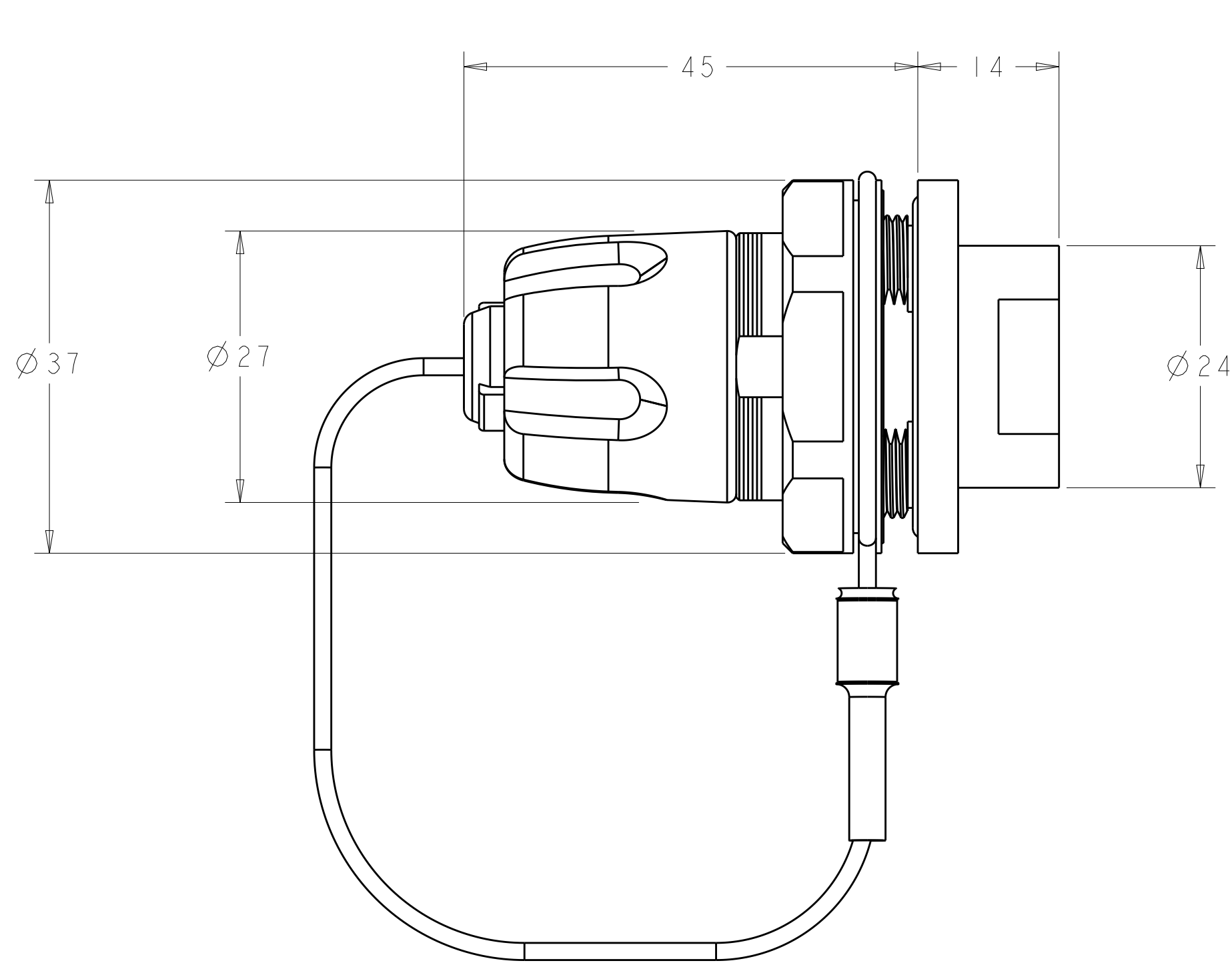
Address: A1208, Overseas Decoration Building, #122 Zhenhua RD., Futian, Shenzhen, China



THIS DRAWING IS UNPUBLISHED. RELEASED FOR PUBLICATION 20
 © COPYRIGHT 20 BY - ALL RIGHTS RESERVED.

LOC	DIST	REVISIONS			
P	LTR	DESCRIPTION	DATE	DWN	APVD
CE	-				
		DI ECR-10-006880	12OCT2012	KG	DW

- ASSEMBLY SHOWN FOR REFERENCE ONLY.
SHIPPED LOOSE PIECE AS SHOWN ON PAGE 2.
- ALL ASSEMBLY DIMENSIONS ARE FOR REFERENCE ONLY.
- △ PANEL SHOULD BE BETWEEN 3.2mm AND 6.4mm THICKENSS.
- THIS PRODUCT HAS NOT COMPLETED VALIDATION TESTING.
- COMPLETE THE CONNECTOR ASSEMBLY BY ADDING EACH OF THE FOLLOWING PRO BEAM JR KITS:
 - EXPANDED BEAM INSERT ASSEMBLY KIT
 - FERRULE KIT, ONE PER FIBER



△ RECOMMENDED TFOCA-II® PANEL CUT-OUT
(DIMENSIONS: INCHES)

TFOCA-II® IS A REGISTERED TRADEMARK OF FIBER SYSTEMS INTERNATIONAL CORP.

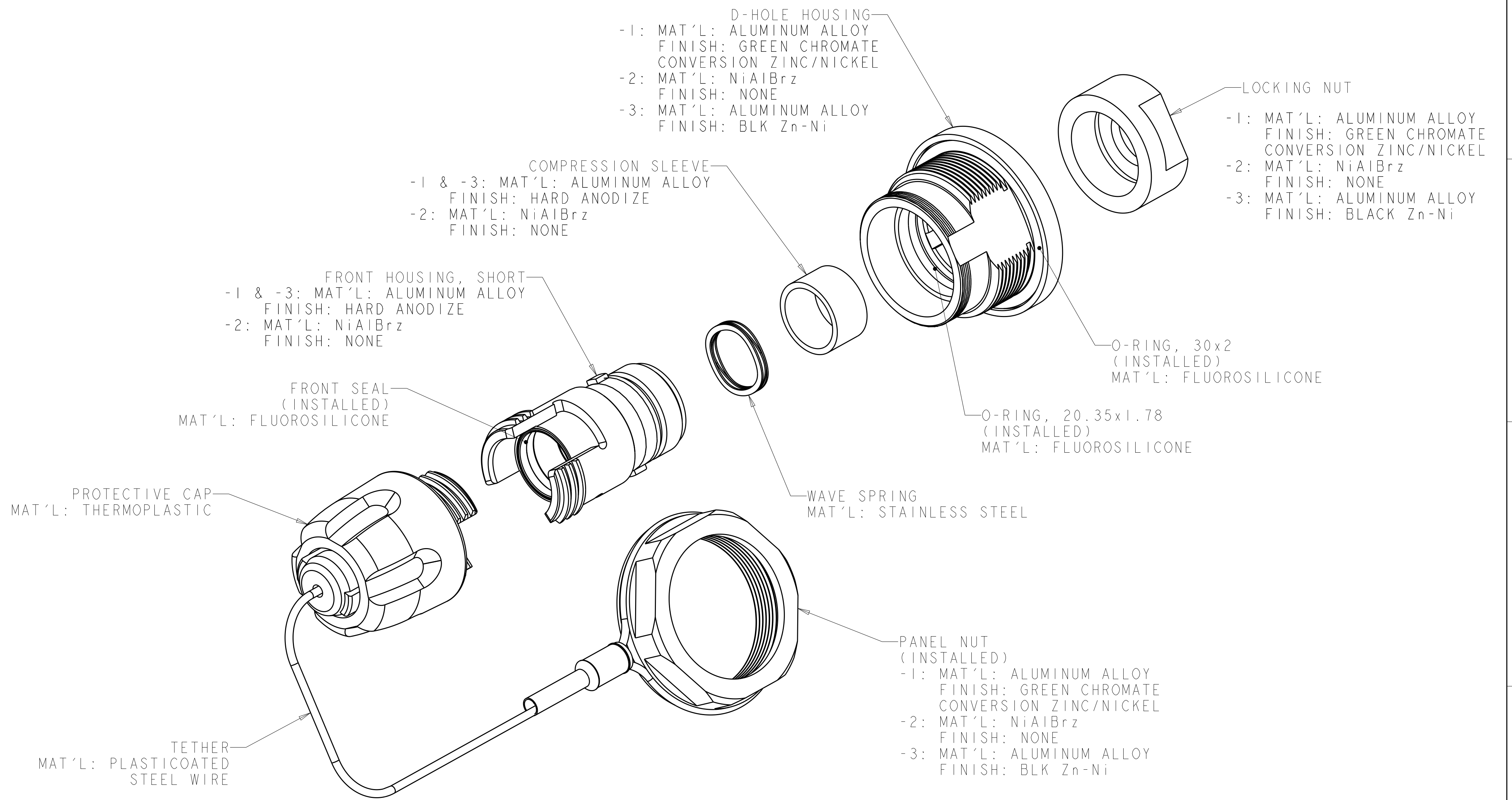
BLACK ZINC-NICKEL	ALUMINUM	1754445-3
NONE	NICKEL ALUMINUM BRONZE	1754445-2
OLIVE DRAB ZINC	ALUMINUM	1754445-1
FINISH	HOUSING ALLOY	PART NUMBER

THIS DRAWING IS A CONTROLLED DOCUMENT. DIMENSIONING AND TOLERANCING PER ASME Y14.5M-2009		DWN K. GLATFELTER 25MAR2004	TE Connectivity	
DIMENSIONS: mm		CHK D. WERTMAN 07MAY2004		
TOLERANCES UNLESS OTHERWISE SPECIFIED:		APVD D. WERTMAN 10MAY2004	NAME CONNECTOR SHELL KIT, D-HOLE BLKHD LP TFOCA-II® REPL., PRO BEAM JR.	
0 PLC ± 1 PLC ± 2 PLC ± 3 PLC ± 4 PLC ± ANGLES ± FINISH		PRODUCT SPEC -	SIZE A200779	
MATERIAL AS LISTED		APPLICATION SPEC -	DRAWING NO C-1754445	
AS LISTED		WEIGHT -	RESTRICTED TO -	
Customer Drawing		SCALE 2:1	SHEET 1 OF 2 REV DI	

THIS DRAWING IS UNPUBLISHED. RELEASED FOR PUBLICATION 20
 © COPYRIGHT 20 BY - ALL RIGHTS RESERVED.

LOC	DIST	REVISIONS					
CE	16	P	LTR	DESCRIPTION	DATE	DWN	APVD
		-		SEE SHEET 1			

I. SHIPPED LOOSE PIECE AS SHOWN.



THIS DRAWING IS A CONTROLLED DOCUMENT. DIMENSIONING AND TOLERANCING PER ASME Y14.5M-2009		DWN K. GLATFELTER 25MAR2004	STE TE Connectivity	
TOLERANCES UNLESS OTHERWISE SPECIFIED:		CHK D. WERTMAN 07MAY2004		
DIMENSIONS: mm	0 PLC ± 1 PLC ± 2 PLC ± 3 PLC ± 4 PLC ± ANGLES ±	APVD D. WERTMAN 10MAY2004	NAME CONNECTOR SHELL KIT, D-HOLE BLKHD LP, TFOCA-11 [®] REPL., PRO BEAM JR.	
MATERIAL AS LISTED	FINISH AS LISTED	PRODUCT SPEC -	SIZE A200779	CAGE CODE C-1754445
Customer Drawing		APPLIC. SPEC -	RESTRICTED TO -	SCALE 2:1
		WEIGHT -	SHEET 2 OF 2	
		REV D1		