



Chipsmall Limited consists of a professional team with an average of over 10 year of expertise in the distribution of electronic components. Based in Hongkong, we have already established firm and mutual-benefit business relationships with customers from,Europe,America and south Asia,supplying obsolete and hard-to-find components to meet their specific needs.

With the principle of “Quality Parts,Customers Priority,Honest Operation,and Considerate Service”,our business mainly focus on the distribution of electronic components. Line cards we deal with include Microchip,ALPS,ROHM,Xilinx,Pulse,ON,Everlight and Freescale. Main products comprise IC,Modules,Potentiometer,IC Socket,Relay,Connector.Our parts cover such applications as commercial,industrial, and automotives areas.

We are looking forward to setting up business relationship with you and hope to provide you with the best service and solution. Let us make a better world for our industry!



## Contact us

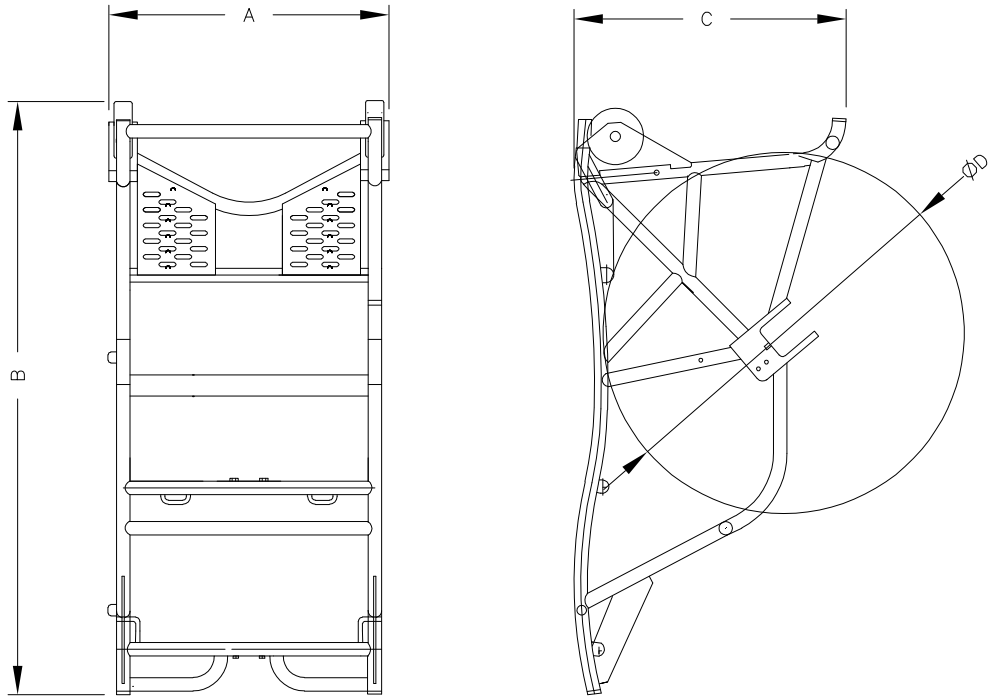
Tel: +86-755-8981 8866 Fax: +86-755-8427 6832

Email & Skype: info@chipsmall.com Web: www.chipsmall.com

Address: A1208, Overseas Decoration Building, #122 Zhenhua RD., Futian, Shenzhen, China



LOC CE	DIST 16	REVISIONS				
P	LTR	DESCRIPTION	DATE	DWN	APVD	
	A2	MINOR REV, CORRECTION TO TABLE, CUST DWG	08FEB10	JB	JB	



TE P/N	A	B	C	MAX REEL DIA D	APPROXIMATE WEIGHT (kg)
1754516-1	395.0	836.9	310.5	370.0	6.08
1754516-2	395.0	836.9	363.3	470.0	6.25
1754516-3	395.0	836.9	384.1	510.0	6.50

1. DIMENSIONS ARE FOR REFERENCE ONLY.
- 2 MATERIAL: ALUMINUM 6061-76.
- 3 FINISH: POLYESTER EPOXY, COLOR RAL 6006.
4. REEL SHOWN FOR REFERENCE ONLY, NOT SUPPLIED.
5. CRANK HANDLE AND UTILITY POUCH SUPPLIED, BUT NOT SHOWN.

RELEASED FOR PUBLICATION

ALL INTERNATIONAL RIGHTS RESERVED.

COPYRIGHT BY TYCO ELECTRONICS CORPORATION.

THIS DRAWING IS UNPUBLISHED.

DIMENSIONS: mm	DWN K. GLATFELTER 23MAR2005	MATERIAL 2 -	FINISH 3 -
	CHK J. SHIPE 08MAY2005	Tyco Electronics Corporation Harrisburg, PA 17105-3608	
TOLERANCES UNLESS OTHERWISE SPECIFIED:	APVD D. BAECHTLE 08MAY2005	NAME BACKPACK ASSEMBLY CABLE REEL	
	PRODUCT SPEC -	SIZE A4	CAGE CODE 00779
0 PLC ± -	APPLICATION SPEC -	DRAWING NO C-1754516	RESTRICTED TO -
1 PLC ± -	WEIGHT -	SCALE NTS	
2 PLC ± -		SHEET 1 OF 1	
3 PLC ± -		REV A2	
4 PLC ± -		CUSTOMER DRAWING	
ANGLES ± -			

