



Chipsmall Limited consists of a professional team with an average of over 10 year of expertise in the distribution of electronic components. Based in Hongkong, we have already established firm and mutual-benefit business relationships with customers from,Europe,America and south Asia,supplying obsolete and hard-to-find components to meet their specific needs.

With the principle of “Quality Parts,Customers Priority,Honest Operation,and Considerate Service”,our business mainly focus on the distribution of electronic components. Line cards we deal with include Microchip,ALPS,ROHM,Xilinx,Pulse,ON,Everlight and Freescale. Main products comprise IC,Modules,Potentiometer,IC Socket,Relay,Connector.Our parts cover such applications as commercial,industrial, and automotives areas.

We are looking forward to setting up business relationship with you and hope to provide you with the best service and solution. Let us make a better world for our industry!



Contact us

Tel: +86-755-8981 8866 Fax: +86-755-8427 6832

Email & Skype: info@chipsmall.com Web: www.chipsmall.com

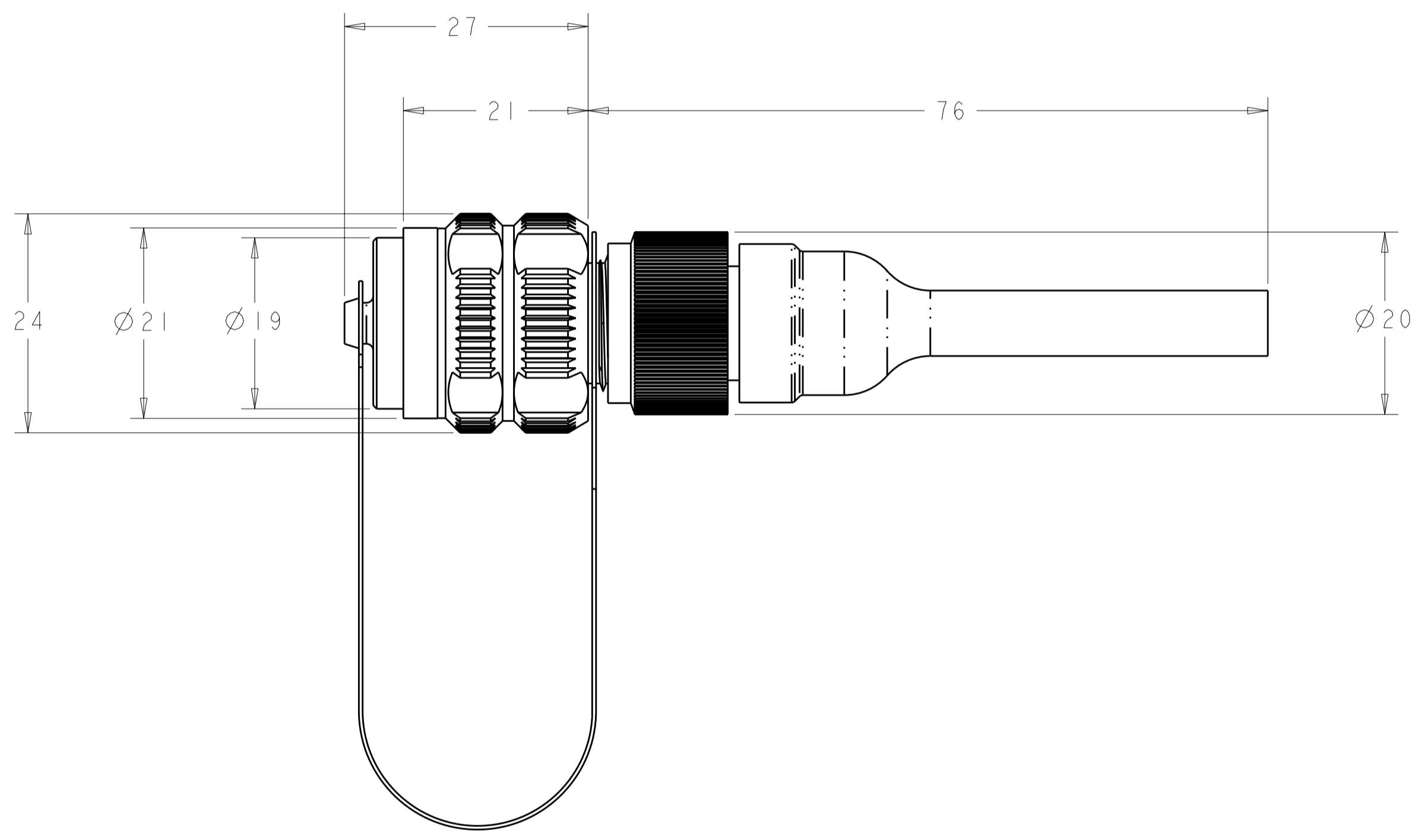
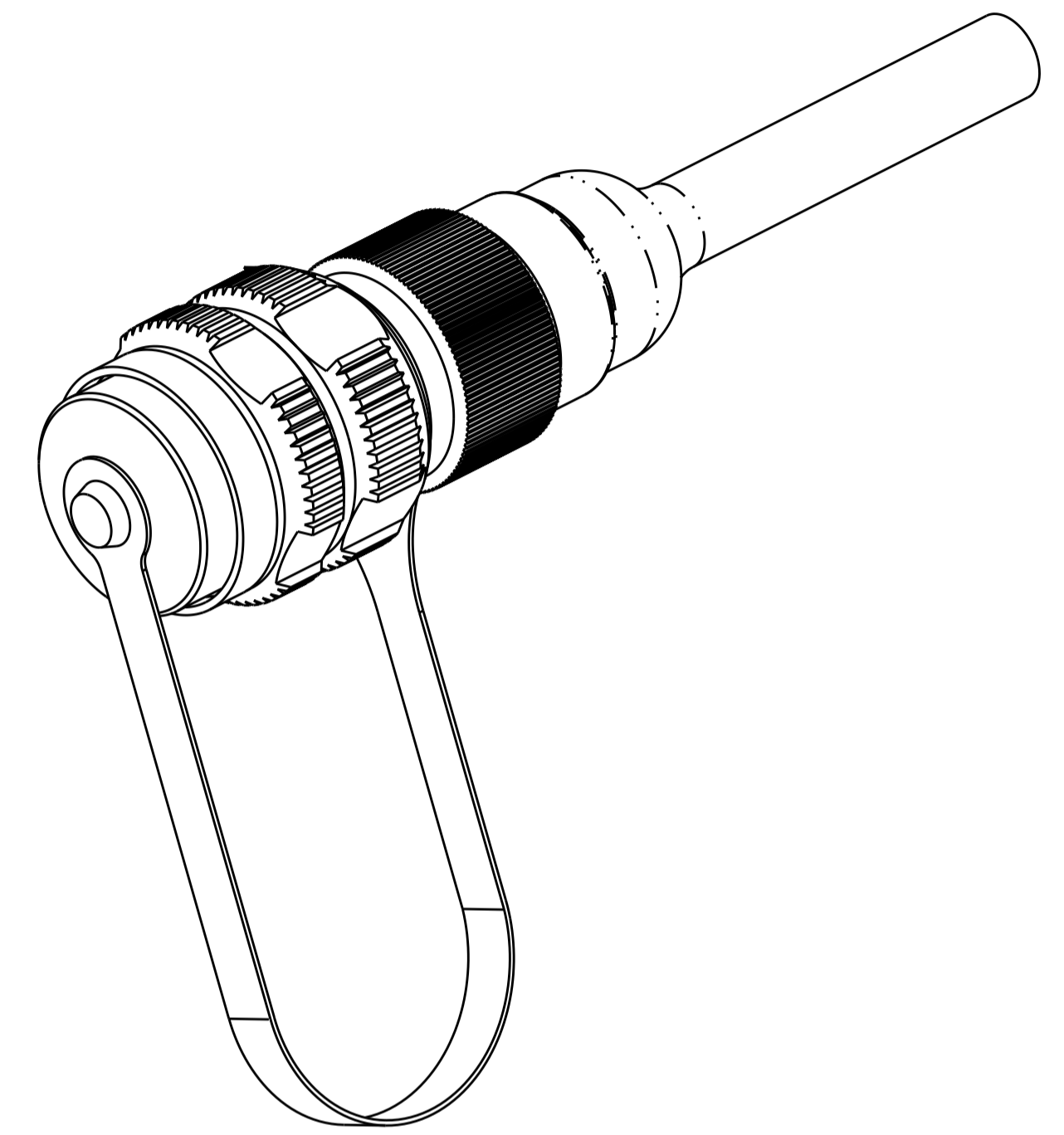
Address: A1208, Overseas Decoration Building, #122 Zhenhua RD., Futian, Shenzhen, China



THIS DRAWING IS UNPUBLISHED. RELEASED FOR PUBLICATION 20
 © COPYRIGHT 20 BY TYCO ELECTRONICS CORPORATION. ALL RIGHTS RESERVED.

LOC	DIST	REVISIONS					
		P	LTR	DESCRIPTION	DATE	DWN	APVD
CE	16		D	ECR-07-001864	06MAR07	KG	DW
			E	ECR-07-025776	16NOV07	KG	DW
			F	ECR-09-018342	01SEP2009	KG	DW
			FI	ECR-10-002629	09FEB2010	KG	DW

- ASSEMBLY SHOWN FOR REFERENCE ONLY. SHIPPED LOOSEPIECE AS SHOWN ON PAGE 2.
- ALL ASSEMBLY DIMENSIONS ARE FOR REFERENCE ONLY.
- THIS PRODUCT HAS NOT COMPLETED VALIDATION TESTING.
- USE WITH 1.8mm DIAMETER INDIVIDUALLY JACKETED AVIONICS CABLE, FOUR CABLES MAXIMUM.
- COMPLETE THE CONNECTOR ASSEMBLY BY ADDING EACH OF THE FOLLOWING:
 - TYCO ELECTRONICS MINI EXPANDED BEAM INSERT ASSEMBLY;
 - MINI EXPANDED BEAM FERRULE KIT, ONE PER FIBER.



E-KEY, OLIVE DRAB	1-1754518-2
D-KEY, OLIVE DRAB	1-1754518-1
C-KEY, OLIVE DRAB	1-1754518-0
B-KEY, OLIVE DRAB	1754518-9
A-KEY, OLIVE DRAB	1754518-8
N-KEY, OLIVE DRAB	1754518-7
SUPERSEDED BY: 6754518-6	E KEY, NI PLATE 1754518-6
SUPERSEDED BY: 6754518-5	D KEY, NI PLATE 1754518-5
SUPERSEDED BY: 6754518-4	C KEY, NI PLATE 1754518-4
SUPERSEDED BY: 6754518-3	B KEY, NI PLATE 1754518-3
SUPERSEDED BY: 6754518-2	A KEY, NI PLATE 1754518-2
SUPERSEDED BY: 6754518-1	N KEY, NI PLATE 1754518-1
DESCRIPTION	PART NUMBER

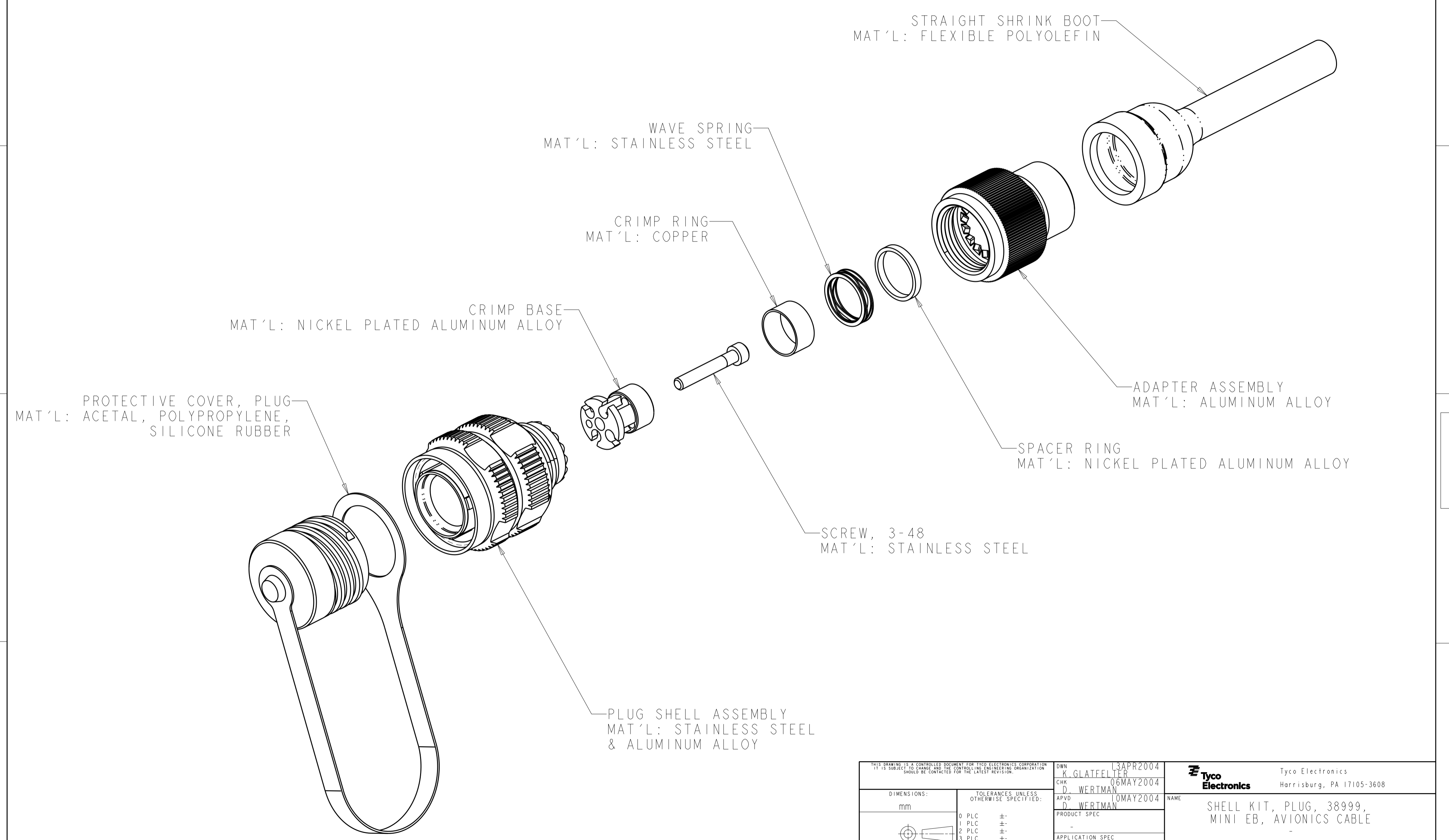
THIS DRAWING IS A CONTROLLED DOCUMENT FOR TYCO ELECTRONICS CORPORATION. IT IS SUBJECT TO CHANGE AND THE CONTROLLING ENGINEERING ORGANIZATION SHOULD BE CONTACTED FOR THE LATEST REVISION.

DIMENSIONS:	TOLERANCES UNLESS OTHERWISE SPECIFIED:	DWN	13APR2004	Tyco Electronics Harrisburg, PA 17105-3608
mm	0 PLC ± 1 PLC ± 2 PLC ± 3 PLC ± 4 PLC ± ANGLES ± FINISH	CHK	06MAY2004	
	AS LISTED	APVD	10MAY2004	
MATERIAL	-	PRODUCT SPEC	-	
		APPLICATION SPEC	-	NAME
		WEIGHT	-	SHELL KIT, PLUG, 38999, MINI EB, AVIONICS CABLE
		CUSTOMER DRAWING		SIZE
				A2
				CAGE CODE
				00779
				DRAWING NO
				1754518
				RESTRICTED TO
				-
				SCALE
				2:1
				SHEET
				1
				OF
				2
				REV
				FI

THIS DRAWING IS UNPUBLISHED. RELEASED FOR PUBLICATION 20
 © COPYRIGHT 20 BY TYCO ELECTRONICS CORPORATION. ALL RIGHTS RESERVED.

LOC		DIST		REVISIONS			
P	LTR	DESCRIPTION	DATE	DWN	APVD		
-	-	SEE SHEET 1	-	-	-		

1. SHIPPED LOOSE PIECE AS SHOWN.



<small>THIS DRAWING IS A CONTROLLED DOCUMENT FOR TYCO ELECTRONICS CORPORATION IT IS SUBJECT TO CHANGE AND THE CONTROLLING ENGINEERING ORGANIZATION SHOULD BE CONTACTED FOR THE LATEST REVISION.</small>		DWN K. GLATFELTER CHK D. WERTMAN APVD D. WERTMAN	13APR2004 06MAY2004 10MAY2004	Tyco Electronics Harrisburg, PA 17105-3608
DIMENSIONS: mm 	TOLERANCES UNLESS OTHERWISE SPECIFIED: 0 PLC ± 1 PLC ± 2 PLC ± 3 PLC ± 4 PLC ± ANGLES ± FINISH	PRODUCT SPEC - APPLICATION SPEC - WEIGHT -	NAME SHELL KIT, PLUG, 38999, MINI EB, AVIONICS CABLE SIZE A2 CAGE CODE 00779 DRAWING NO C-1754518 RESTRICTED TO -	CUSTOMER DRAWING SCALE 2:1 SHEET 2 OF 2 REV F1