



Chipsmall Limited consists of a professional team with an average of over 10 year of expertise in the distribution of electronic components. Based in Hongkong, we have already established firm and mutual-benefit business relationships with customers from,Europe,America and south Asia,supplying obsolete and hard-to-find components to meet their specific needs.

With the principle of “Quality Parts,Customers Priority,Honest Operation,and Considerate Service”,our business mainly focus on the distribution of electronic components. Line cards we deal with include Microchip,ALPS,ROHM,Xilinx,Pulse,ON,Everlight and Freescale. Main products comprise IC,Modules,Potentiometer,IC Socket,Relay,Connector.Our parts cover such applications as commercial,industrial, and automotives areas.

We are looking forward to setting up business relationship with you and hope to provide you with the best service and solution. Let us make a better world for our industry!



Contact us

Tel: +86-755-8981 8866 Fax: +86-755-8427 6832

Email & Skype: info@chipsmall.com Web: www.chipsmall.com

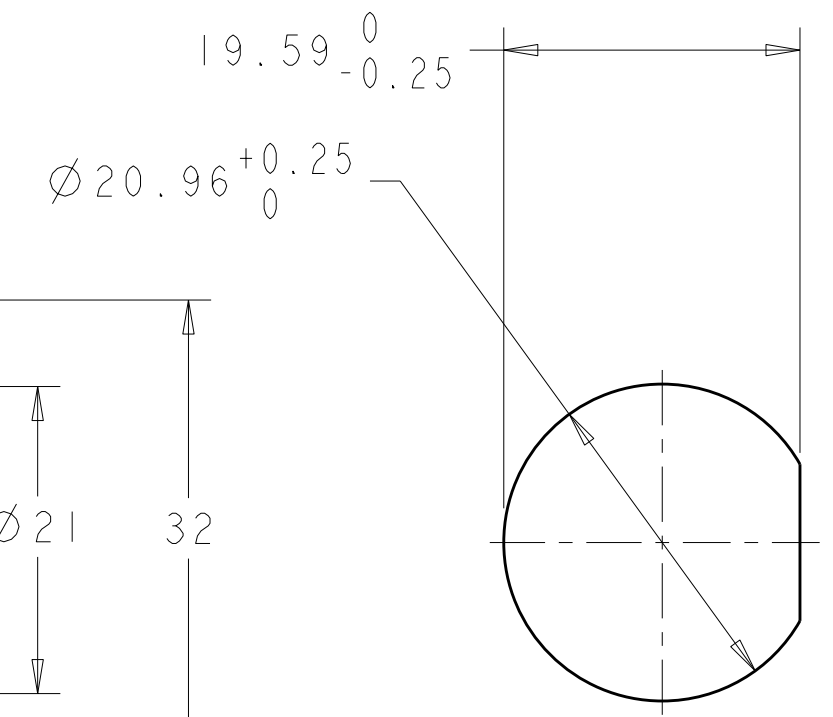
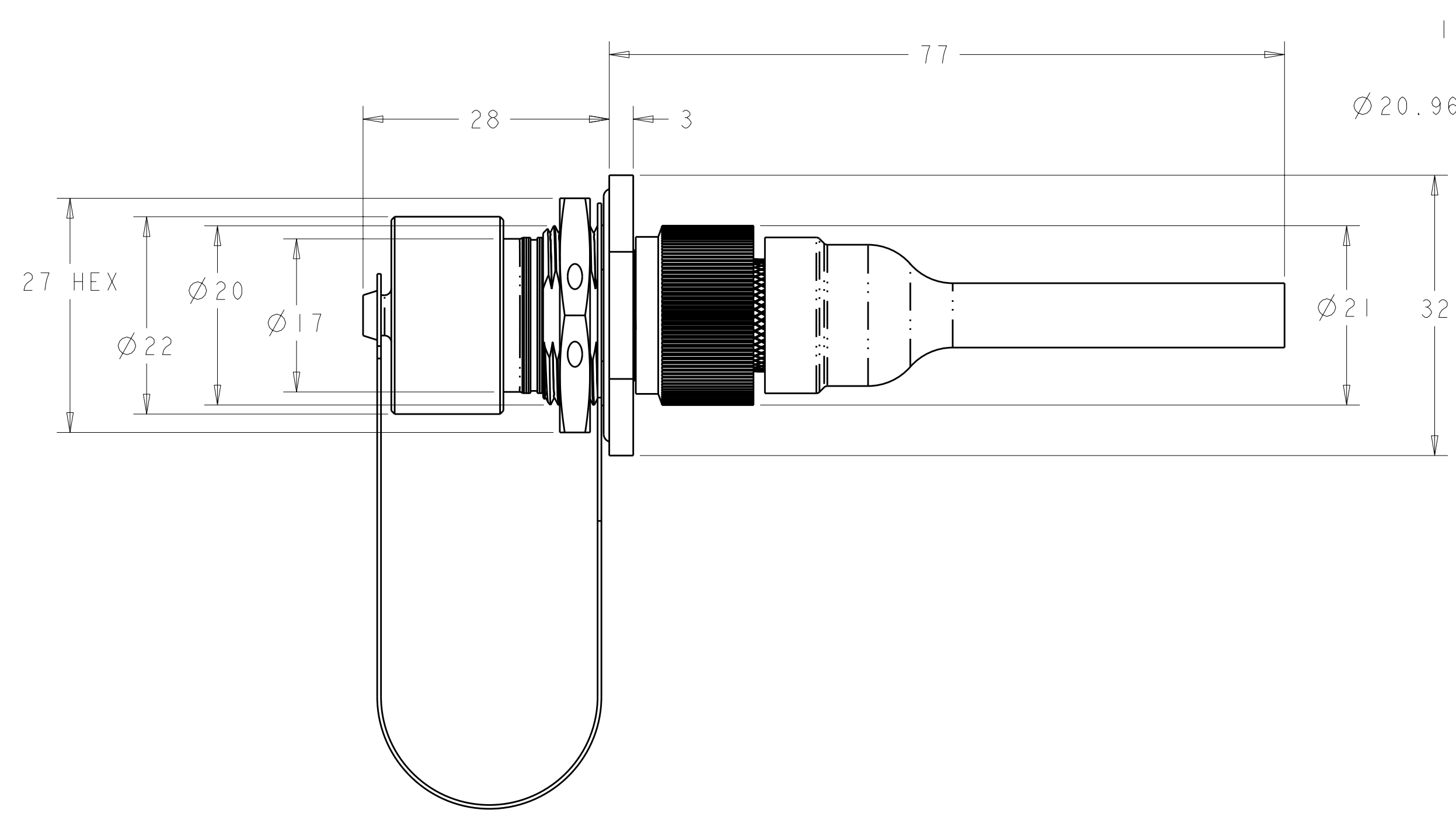
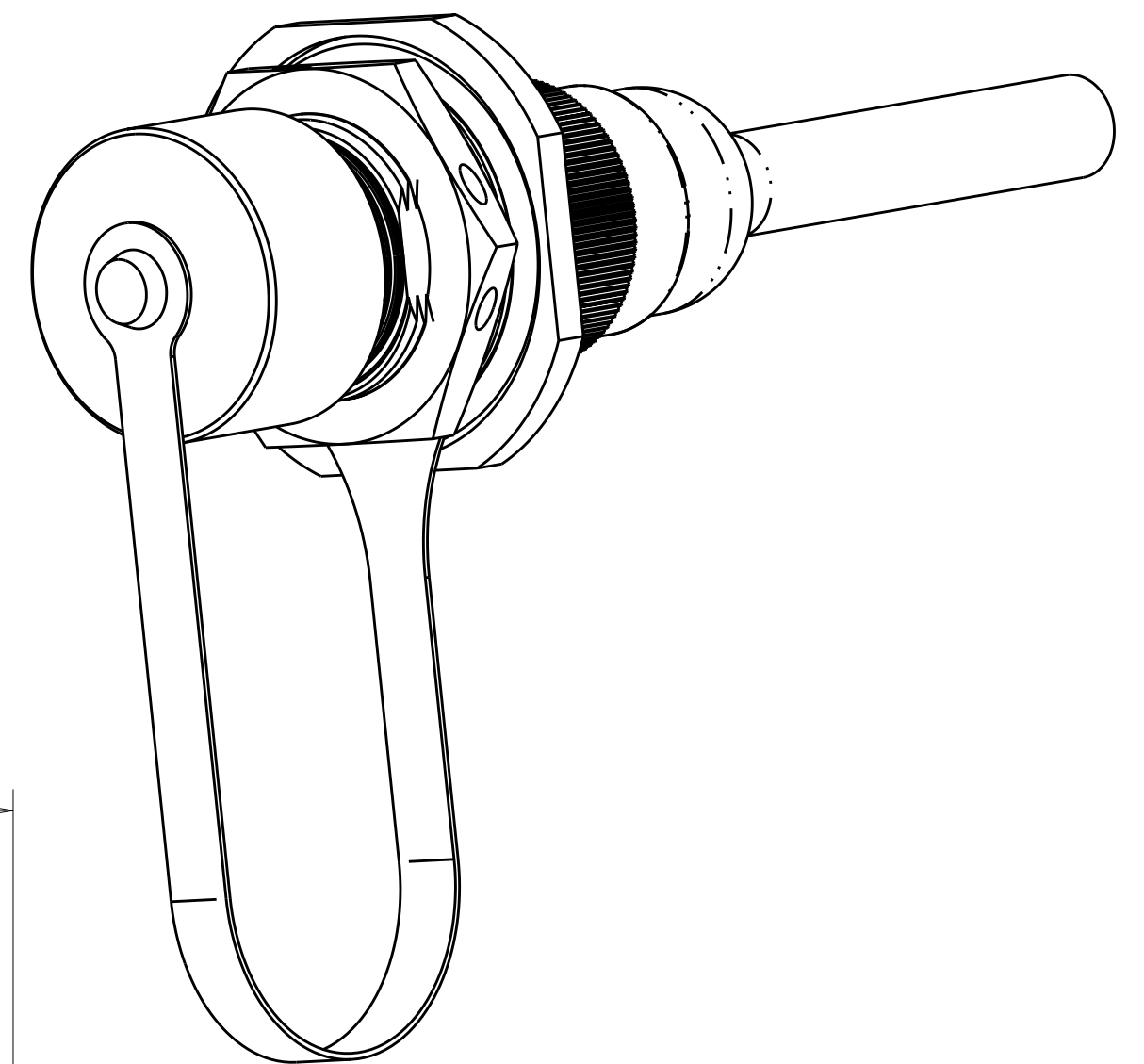
Address: A1208, Overseas Decoration Building, #122 Zhenhua RD., Futian, Shenzhen, China



THIS DRAWING IS UNPUBLISHED. RELEASED FOR PUBLICATION 20
 © COPYRIGHT 20 BY TYCO ELECTRONICS CORPORATION. ALL RIGHTS RESERVED.

LOC	DIST	REVISIONS			
P	LTR	DESCRIPTION	DATE	DWN	APVD
CE	16	D	ECR-07-001864	06MAR07	KG DW
		E	ECR-07-025776	16NOV07	KG DW
		F	ECR-09-018342	01SEP2009	KG DW
		FI	ECR-10-002629	09FEB2010	KG DW

- ASSEMBLY SHOWN FOR REFERENCE ONLY. SHIPPED LOOSE PIECE AS SHOWN ON PAGE 2.
- ALL ASSEMBLY DIMENSIONS ARE FOR REFERENCE ONLY.
- THIS PRODUCT HAS NOT COMPLETED VALIDATION TESTING.
- USE WITH 1.8mm DIAMETER INDIVIDUALLY JACKETED AVIONICS CABLE, FOUR CABLES MAXIMUM.
- PER MIL-DTL-38999K, FIGURE 11, TYPE E.
- COMPLETE THE CONNECTOR ASSEMBLY BY ADDING EACH OF THE FOLLOWING:
 - TYCO ELECTRONICS MINI EXPANDED BEAM INSERT ASSEMBLY;
 - MINI EXPANDED BEAM FERRULE, ONE PER FIBER.



RECOMMENDED PANEL CUT-OUT

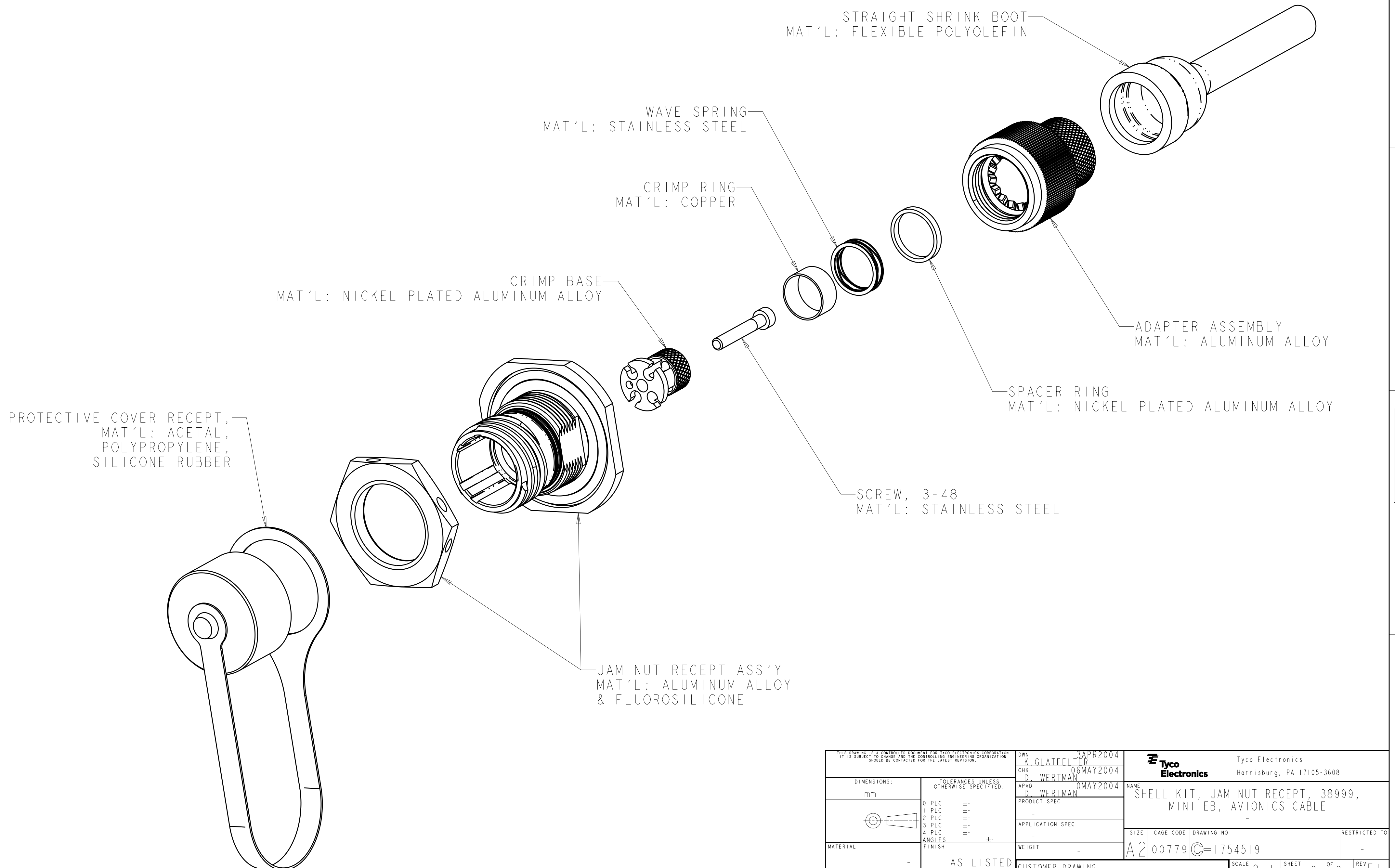
	E-KEY, OLIVE DRAB	1-1754519-2
	D-KEY, OLIVE DRAB	1-1754519-1
	C-KEY, OLIVE DRAB	1-1754519-0
	B-KEY, OLIVE DRAB	1754519-9
	A-KEY, OLIVE DRAB	1754519-8
	N-KEY, OLIVE DRAB	1754519-7
SUPERSEDED BY: 6754519-6	E-KEY, Ni-PLATE	1754519-6
SUPERSEDED BY: 6754519-5	D-KEY, Ni-PLATE	1754519-5
SUPERSEDED BY: 6754519-4	C-KEY, Ni-PLATE	1754519-4
SUPERSEDED BY: 6754519-3	B-KEY, Ni-PLATE	1754519-3
SUPERSEDED BY: 6754519-2	A-KEY, Ni-PLATE	1754519-2
SUPERSEDED BY: 6754519-1	N-KEY, Ni-PLATE	1754519-1
	DESCRIPTION	PART NUMBER

DIMENSIONS:		TOLERANCES UNLESS OTHERWISE SPECIFIED:		DWN		Tyco Electronics	
mm	0 PLC ±	1 PLC ±	2 PLC ±	K. GLATFELTER	13APR2004	Tyco Electronics Harrisburg, PA 17105-3608	
	3 PLC ±	4 PLC ±	ANGLES ±	CHK D. WERTMAN	06MAY2004	NAME SHELL KIT, JAM NUT RECEPT, 38999, MINI EB, AVIONICS CABLE	
	MATERIAL -	FINISH AS LISTED	FINISH	APVD D. WERTMAN	10MAY2004	SIZE A2	CAGE CODE 00779
				PRODUCT SPEC -		DRAWING NO C-1754519	RESTRICTED TO -
				APPLICATION SPEC -		SCALE 2:1	SHEET 1 OF 2
				WEIGHT -		REV FI	
				CUSTOMER DRAWING			

THIS DRAWING IS UNPUBLISHED. RELEASED FOR PUBLICATION 20
 © COPYRIGHT 20 BY TYCO ELECTRONICS CORPORATION. ALL RIGHTS RESERVED.

LOC		DIST		REVISIONS			
P	LTR	DESCRIPTION	DATE	DWN	APVD		
		SEE SHEET 1					

1. SHIPPED LOOSE PIECE AS SHOWN.



<small>THIS DRAWING IS A CONTROLLED DOCUMENT FOR TYCO ELECTRONICS CORPORATION IT IS SUBJECT TO CHANGE AND THE CONTROLLING ENGINEERING ORGANIZATION SHOULD BE CONTACTED FOR THE LATEST REVISION.</small>		DWN K. GLATFELTER 13APR2004 CHK D. WERTMAN 06MAY2004 APVD D. WERTMAN 10MAY2004	Tyco Electronics Tyco Electronics Harrisburg, PA 17105-3608
DIMENSIONS: mm 	TOLERANCES UNLESS OTHERWISE SPECIFIED: 0 PLC ± 1 PLC ± 2 PLC ± 3 PLC ± 4 PLC ± ANGLES ± FINISH	PRODUCT SPEC APPLICATION SPEC WEIGHT CUSTOMER DRAWING	NAME SHELL KIT, JAM NUT RECEPT, 38999, MINI EB, AVIONICS CABLE SIZE A2 CAGE CODE 00779 DRAWING NO. 1754519 RESTRICTED TO -
MATERIAL - AS LISTED		SCALE 2:1 SHEET 2 OF 2 REV F1	