



Chipsmall Limited consists of a professional team with an average of over 10 year of expertise in the distribution of electronic components. Based in Hongkong, we have already established firm and mutual-benefit business relationships with customers from,Europe,America and south Asia,supplying obsolete and hard-to-find components to meet their specific needs.

With the principle of "Quality Parts,Customers Priority,Honest Operation,and Considerate Service",our business mainly focus on the distribution of electronic components. Line cards we deal with include Microchip,ALPS,ROHM,Xilinx,Pulse,ON,Everlight and Freescale. Main products comprise IC,Modules,Potentiometer,IC Socket,Relay,Connector.Our parts cover such applications as commercial,industrial, and automotives areas.

We are looking forward to setting up business relationship with you and hope to provide you with the best service and solution. Let us make a better world for our industry!



## Contact us

Tel: +86-755-8981 8866 Fax: +86-755-8427 6832

Email & Skype: info@chipsmall.com Web: www.chipsmall.com

Address: A1208, Overseas Decoration Building, #122 Zhenhua RD., Futian, Shenzhen, China



THIS DRAWING IS UNPUBLISHED.

RELEASED FOR PUBLICATION

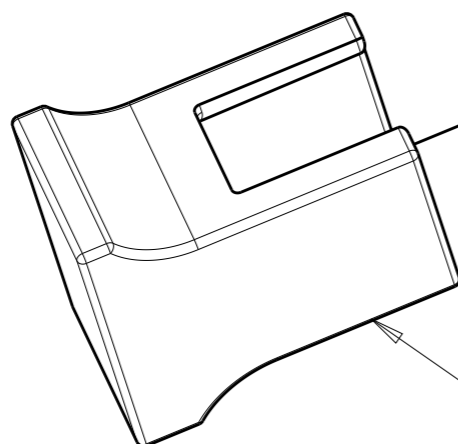
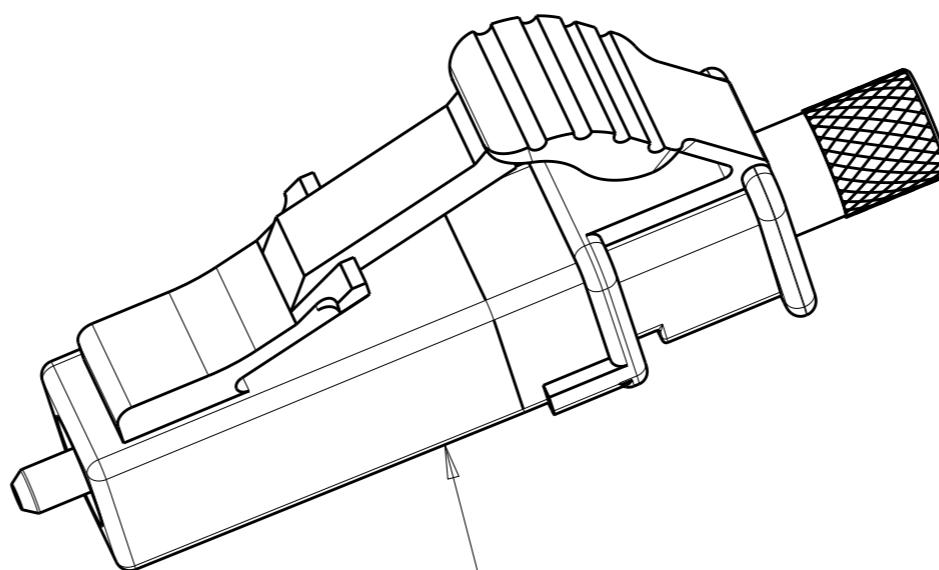
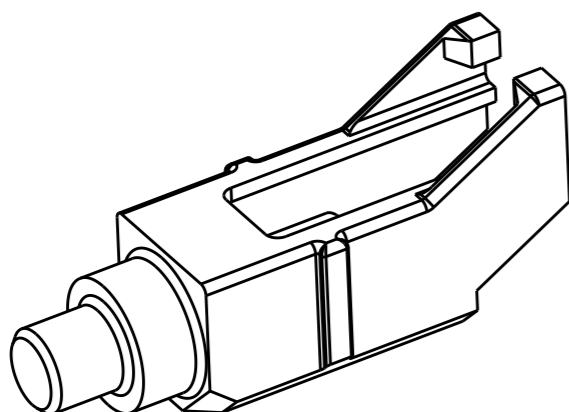
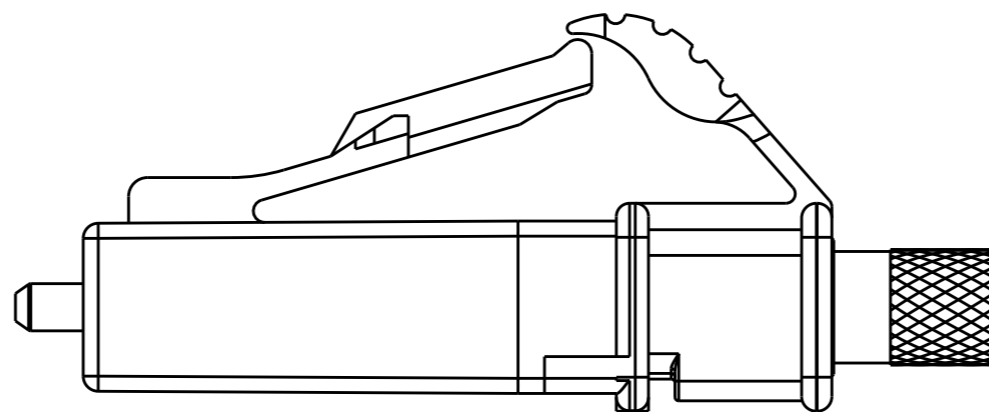
© COPYRIGHT -

ALL RIGHTS RESERVED.

LOC HG DIST -

REVISIONS

P	LTR	DESCRIPTION	DATE	DWN	APVD
	A	REL PER ECO-07-007418	29MAR2007	DHR	DHR
	B	REV PER ECR-10-009334	11MAY2010	IL	CT
	BI	ADD NEW DASH -3	28DEC2012	SW	RZ
	C	ECR-15-000639	14JAN2015	BB	JO



- 2

- 1 AND - 3

CONNECTOR SUB-ASSEMBLY

PROTECTIVE COVER

PVC	WHITE	1754625-3
VALOX	BLACK	1754625-2
PVC	WHITE	1754625-1
MATERIAL <sup>1</sup>	PROTECTIVE COVER COLOR	PART NO

<sup>1</sup> MATERIAL:  
 PROTECTIVE COVER - SEE TABLE FOR DETAIL, UL 94 V-0 \*  
 FERRULE SUB ASSEMBLY - ZIRCONIA/METAL  
 COMPRESSION SPRING - STAINLESS STEEL  
 HOUSING - PEI, BEIGE, UL 94 V-0 \*  
 INNER TUBING - PTFE, CLEAR, UL VW-1  
 REAR BODY - ALUMINUM

\* RATED AT QUALIFYING THICKNESS

2. BULK PACKAGED.

THIS DRAWING IS A CONTROLLED DOCUMENT.

DIMENSIONS:	TOLERANCES UNLESS OTHERWISE SPECIFIED:
mm	
	0 PLC ±-
	1 PLC ±-
	2 PLC ±0.10
	3 PLC ±-
	4 PLC ±-
	ANGLES ±-
MATERIAL -	FINISH -

DWN	E. HOPKINS	16FEB2006
CHK	D. ROHDE	16FEB2006
APVD	D. BAECHTLE	16FEB2006
PRODUCT SPEC	-	
APPLICATION SPEC	-	
WEIGHT	-	
CUSTOMER DRAWING		

<b>STE</b> TE Connectivity			
NAME CONNECTOR ASSEMBLY, ONE-PIECE LC, MULTIMODE			
SIZE	CAGE CODE	DRAWING NO	RESTRICTED TO
A3	-	1754625	-
SCALE 5:1		SHEET 1 OF 1	REV C