



Chipsmall Limited consists of a professional team with an average of over 10 year of expertise in the distribution of electronic components. Based in Hongkong, we have already established firm and mutual-benefit business relationships with customers from,Europe,America and south Asia,supplying obsolete and hard-to-find components to meet their specific needs.

With the principle of “Quality Parts,Customers Priority,Honest Operation,and Considerate Service”,our business mainly focus on the distribution of electronic components. Line cards we deal with include Microchip,ALPS,ROHM,Xilinx,Pulse,ON,Everlight and Freescale. Main products comprise IC,Modules,Potentiometer,IC Socket,Relay,Connector.Our parts cover such applications as commercial,industrial, and automotives areas.

We are looking forward to setting up business relationship with you and hope to provide you with the best service and solution. Let us make a better world for our industry!



Contact us

Tel: +86-755-8981 8866 Fax: +86-755-8427 6832

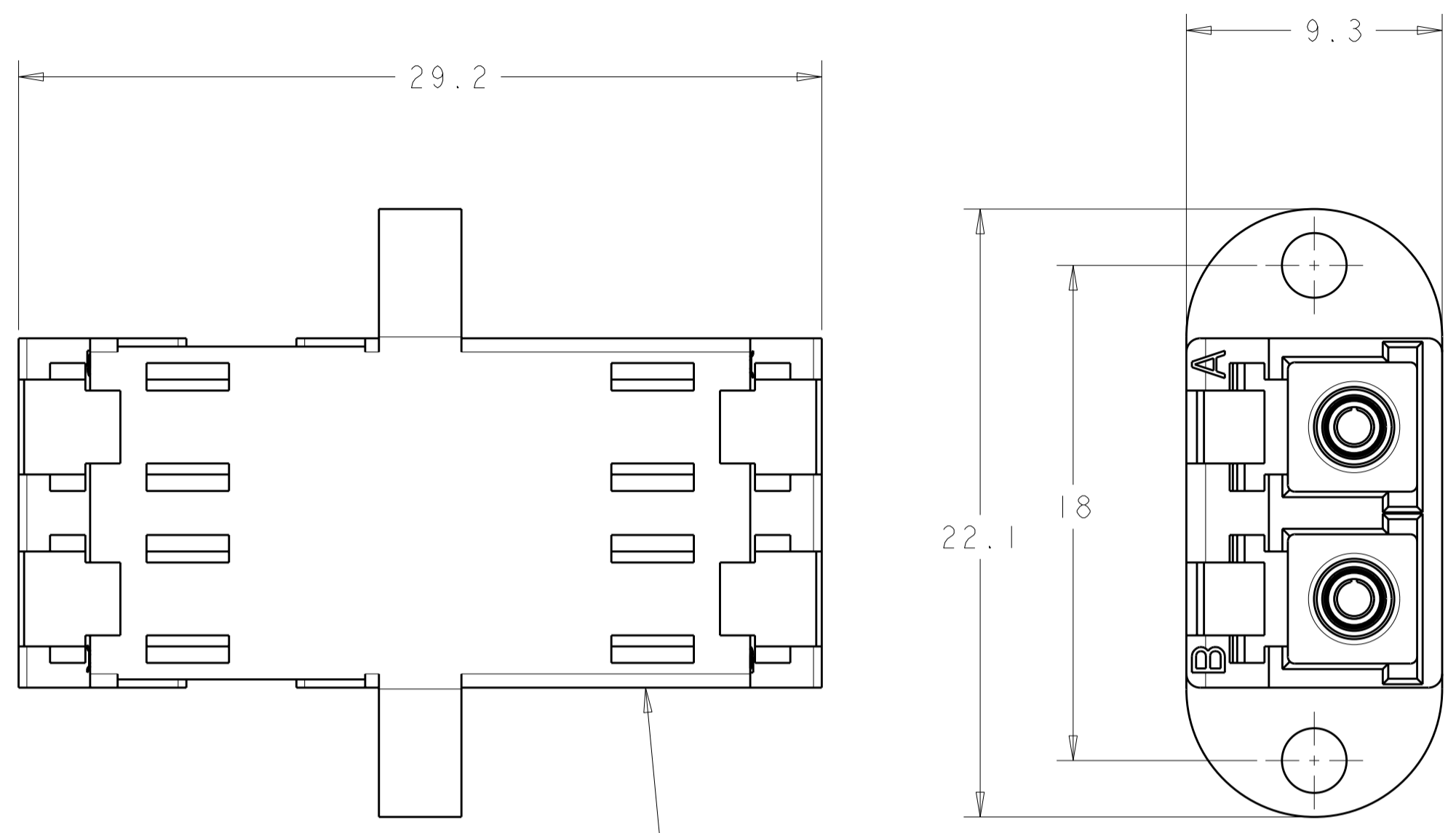
Email & Skype: info@chipsmall.com Web: www.chipsmall.com

Address: A1208, Overseas Decoration Building, #122 Zhenhua RD., Futian, Shenzhen, China

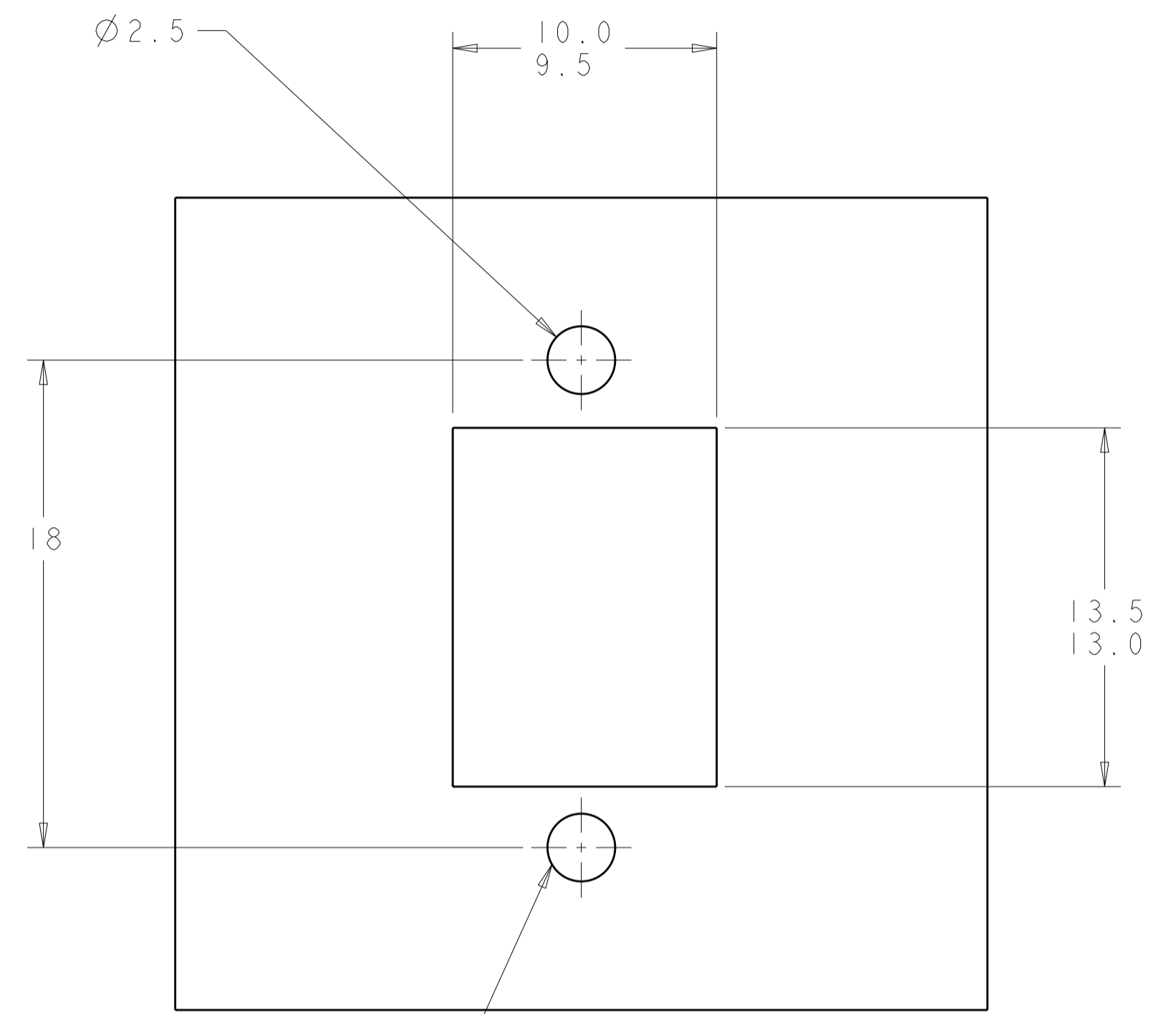


THIS DRAWING IS UNPUBLISHED. RELEASED FOR PUBLICATION
 © COPYRIGHT BY TYCO ELECTRONICS CORPORATION. ALL INTERNATIONAL RIGHTS RESERVED.

LOC	DIST	REVISIONS			
P	LTR	DESCRIPTION	DATE	DWN	APVD
HG	-	A	REL PER ECO-06-002305	20FEB2006	DHR DHR
		A1	REV PER ECR-10-016231	09AUG2010	IL CT



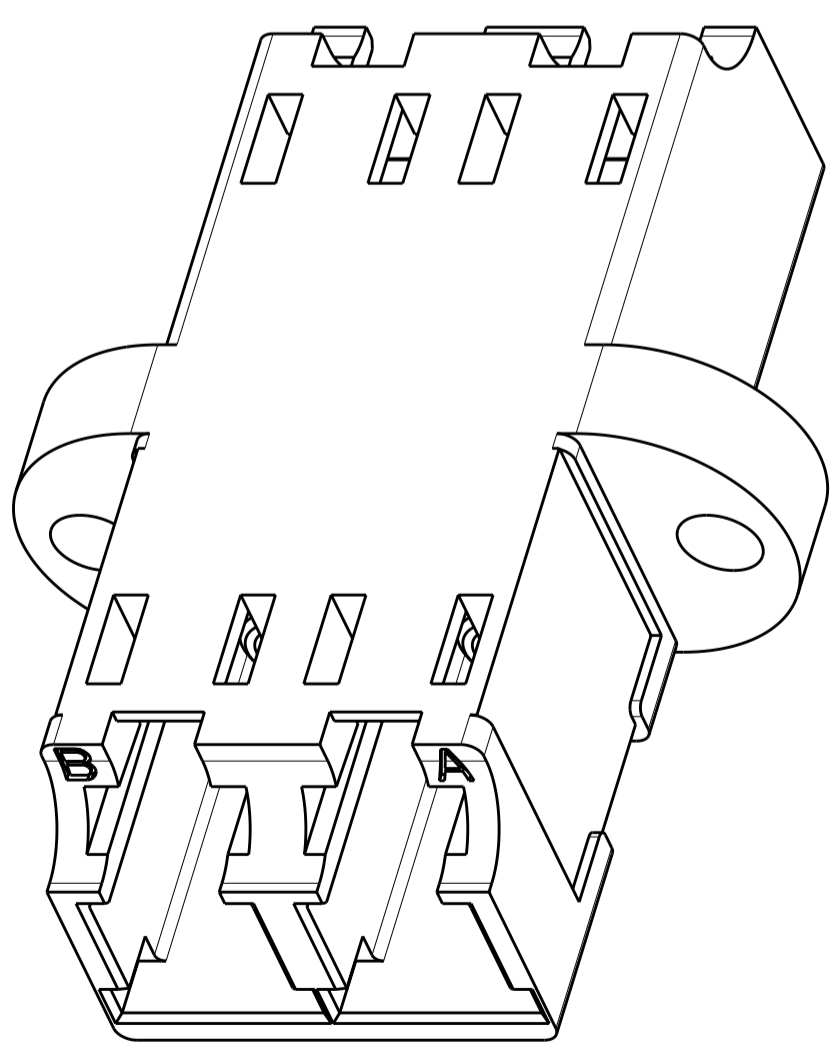
LC DUPLEX RECEPTACLE



M2-0.4 OR #2-56UNC WHEN REQUIRED

RECOMMENDED PANEL CUTOUT
 PANEL THICKNESS 1.2-1.7.
 SCALE 5:1

- 1 MATERIAL:
 HOUSING: ZINC DIE CAST
 PROTECTIVE CAPS: THERMOPLASTIC ELASTOMER
 ALIGNMENT SLEEVE: CERAMIC
- 2 FINISH:
 HOUSING: ELECTROLESS NICKEL OVER COPPER
- 3. PROTECTIVE CAPS (DUPLEX) ARE SUPPLIED, BUT NOT SHOWN.



1754683-1
 PART NUMBER

THIS DRAWING IS A CONTROLLED DOCUMENT FOR TYCO ELECTRONICS CORPORATION. IT IS SUBJECT TO CHANGE AND THE CONTROLLING ENGINEERING ORGANIZATION SHOULD BE CONTACTED FOR THE LATEST REVISION.		DWN B. BRIGGS 17JUN2004	Tyco Electronics Corporation Shanghai, China	
DIMENSIONS: mm		CHK D. ROHDE 17JUN2004	NAME ASSEMBLY, DUPLEX LC RECEPTACLE, SR-SR WITH FLANGE	
TOLERANCES UNLESS OTHERWISE SPECIFIED: 0 PLC ±0.1 1 PLC ±0.1 2 PLC ± 3 PLC ± 4 PLC ± ANGLES ± FINISH		APVD B. EDWARDS 17JUN2004	SIZE A2	CAGE CODE C-1754683
MATERIAL		PRODUCT SPEC	DRAWING NO	RESTRICTED TO
1 -		APPLICATION SPEC	SCALE 5:1	SHEET 1 OF 1
2 -		WEIGHT	REV A1	
		CUSTOMER DRAWING		