



Chipsmall Limited consists of a professional team with an average of over 10 year of expertise in the distribution of electronic components. Based in Hongkong, we have already established firm and mutual-benefit business relationships with customers from,Europe,America and south Asia,supplying obsolete and hard-to-find components to meet their specific needs.

With the principle of "Quality Parts,Customers Priority,Honest Operation,and Considerate Service",our business mainly focus on the distribution of electronic components. Line cards we deal with include Microchip,ALPS,ROHM,Xilinx,Pulse,ON,Everlight and Freescale. Main products comprise IC,Modules,Potentiometer,IC Socket,Relay,Connector.Our parts cover such applications as commercial,industrial, and automotives areas.

We are looking forward to setting up business relationship with you and hope to provide you with the best service and solution. Let us make a better world for our industry!



Contact us

Tel: +86-755-8981 8866 Fax: +86-755-8427 6832

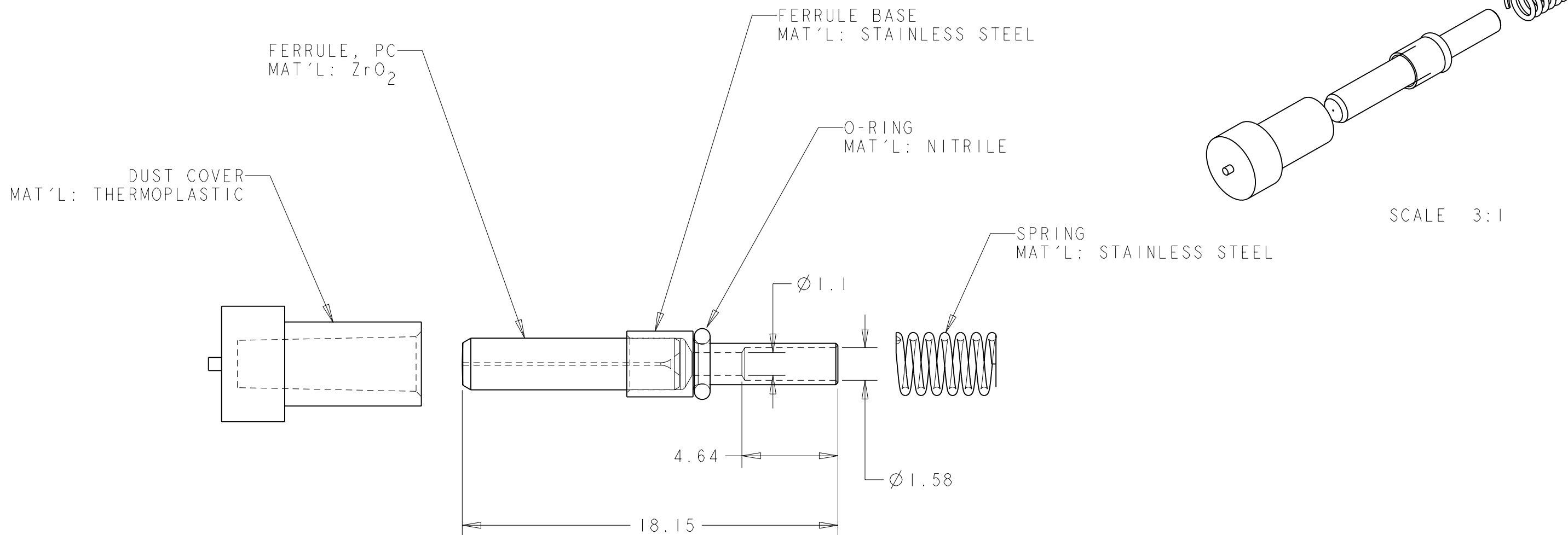
Email & Skype: info@chipsmall.com Web: www.chipsmall.com

Address: A1208, Overseas Decoration Building, #122 Zhenhua RD., Futian, Shenzhen, China



P	LTR	DESCRIPTION	DATE	DWN	APVD
	I	PPR 04-646	11JUN04	KG	DW
	A	RELEASE PER 0A00-0345-04	21JUL04	KG	DW
	B	ECR-05-017300	12DEC05	KG	DW

1. ALL DIMENSIONS ARE FOR REFERENCE ONLY.



125.5um	1754700-3
126um	1754700-2
125um	1754700-1
FIBER HOLE DIAMETER	PART NUMBER

THIS DRAWING IS A CONTROLLED DOCUMENT FOR TYCO ELECTRONICS CORPORATION. IT IS SUBJECT TO CHANGE AND THE CONTROLLING ENGINEERING ORGANIZATION SHOULD BE CONTACTED FOR THE LATEST REVISION.

DIMENSIONS: mm		TOLERANCES UNLESS OTHERWISE SPECIFIED:	
		0 PLC	±-
		1 PLC	±-
		2 PLC	±-
		3 PLC	±-
MATERIAL AS LISTED		FINISH	N/A

DWN	K. GLATFELTER	04JUN2004
CHK	D. WERTMAN	08JUN2004
APVD	D. WERTMAN	11JUN2004
PRODUCT SPEC	-	
APPLICATION SPEC	-	
WEIGHT	-	
CUSTOMER DRAWING		

tyco Electronics		Tyco Electronics Harrisburg, PA 17105-3608	
NAME FERRULE KIT, SEALED, PC, MINI EB			
SIZE	CAGE CODE	DRAWING NO	RESTRICTED TO
A3	00779	1754700	-
SCALE 5:1		SHEET 1 OF 1	REV B