



Chipsmall Limited consists of a professional team with an average of over 10 year of expertise in the distribution of electronic components. Based in Hongkong, we have already established firm and mutual-benefit business relationships with customers from,Europe,America and south Asia,supplying obsolete and hard-to-find components to meet their specific needs.

With the principle of “Quality Parts,Customers Priority,Honest Operation,and Considerate Service”,our business mainly focus on the distribution of electronic components. Line cards we deal with include Microchip,ALPS,ROHM,Xilinx,Pulse,ON,Everlight and Freescale. Main products comprise IC,Modules,Potentiometer,IC Socket,Relay,Connector.Our parts cover such applications as commercial,industrial, and automotives areas.

We are looking forward to setting up business relationship with you and hope to provide you with the best service and solution. Let us make a better world for our industry!



Contact us

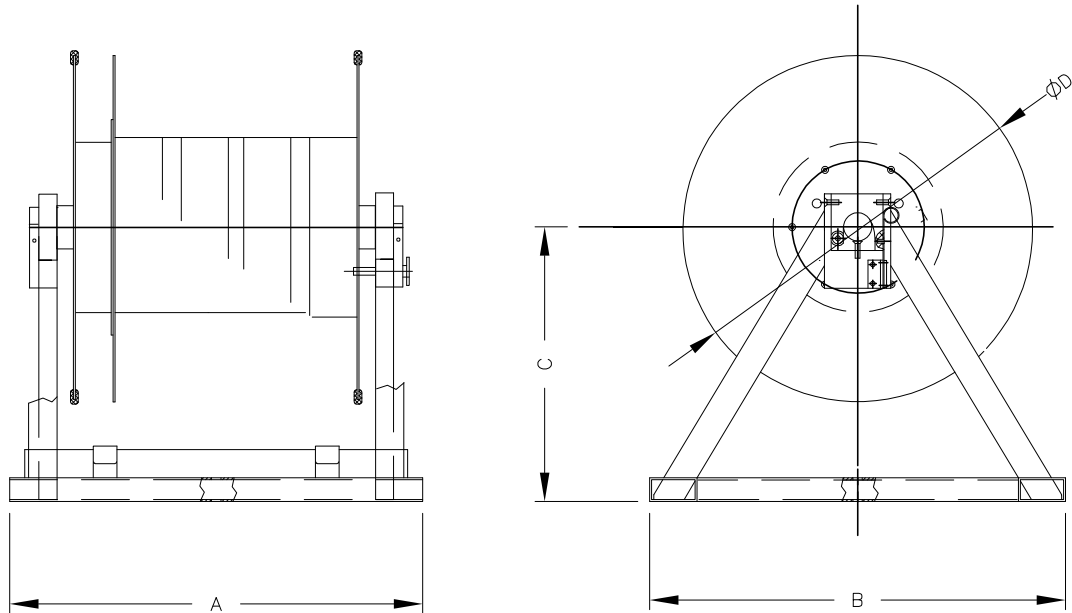
Tel: +86-755-8981 8866 Fax: +86-755-8427 6832

Email & Skype: info@chipsmall.com Web: www.chipsmall.com

Address: A1208, Overseas Decoration Building, #122 Zhenhua RD., Futian, Shenzhen, China



LOC CE	DIST 16	REVISIONS			
P	LTR	DESCRIPTION	DATE	DWN	APVD
	A1	ADD NOTE 5; APPROX WT COL	04JAN10	KG	JB



TE P/N	A	B	C	MAX REEL DIA D	APPROXIMATE WEIGHT (kg)
1754517-1	437.0	440.0	290.0	500.0	3.60
1754517-2	600.0	600.0	406.5	700.0	5.60

1. DIMENSIONS ARE FOR REFERENCE ONLY.

2 MATERIAL: ALUMINUM 6061-76.

3 FINISH: POLYESTER EPOXY, COLOR RAL 6006.

4. REEL NOT INCLUDED WITH FRAME.

5. INCLUDED COMPONENTS: STATIC FRAME, FOLDING CRANK HANDLE, UTILITY POUCH AND APPROPRIATELY SIZED CARRYING HANDLE.

RELEASED FOR PUBLICATION

ALL RIGHTS RESERVED.

COPYRIGHT BY TYCO ELECTRONICS CORPORATION.

THIS DRAWING IS UNPUBLISHED.

DIMENSIONS: mm	DWN K. GLATFELTER 23MAR2005	MATERIAL 2 -	FINISH 3 -
	CHK J. SHIPE 10MAY2005	Tyco Electronics Corporation Harrisburg, Pa 17105-3608	
TOLERANCES UNLESS OTHERWISE SPECIFIED:	APVD D. BAECHTLE 10MAY2005	Tyco Electronics Corporation Harrisburg, Pa 17105-3608	
0 PLC ± -	PRODUCT SPEC -	NAME STATIC FRAME CABLE REEL	
1 PLC ± -	APPLICATION SPEC -	SIZE A4	CAGE CODE 00779
2 PLC ± -	WEIGHT -	DRAWING NO C-1754517	RESTRICTED TO -
3 PLC ± -		CUSTOMER DRAWING	
4 PLC ± -		SCALE NTS	SHEET 1 OF 1
ANGLES ± -			REV A1