



Chipsmall Limited consists of a professional team with an average of over 10 year of expertise in the distribution of electronic components. Based in Hongkong, we have already established firm and mutual-benefit business relationships with customers from,Europe,America and south Asia,supplying obsolete and hard-to-find components to meet their specific needs.

With the principle of "Quality Parts,Customers Priority,Honest Operation,and Considerate Service",our business mainly focus on the distribution of electronic components. Line cards we deal with include Microchip,ALPS,ROHM,Xilinx,Pulse,ON,Everlight and Freescale. Main products comprise IC,Modules,Potentiometer,IC Socket,Relay,Connector.Our parts cover such applications as commercial,industrial, and automotives areas.

We are looking forward to setting up business relationship with you and hope to provide you with the best service and solution. Let us make a better world for our industry!



Contact us

Tel: +86-755-8981 8866 Fax: +86-755-8427 6832

Email & Skype: info@chipsmall.com Web: www.chipsmall.com

Address: A1208, Overseas Decoration Building, #122 Zhenhua RD., Futian, Shenzhen, China

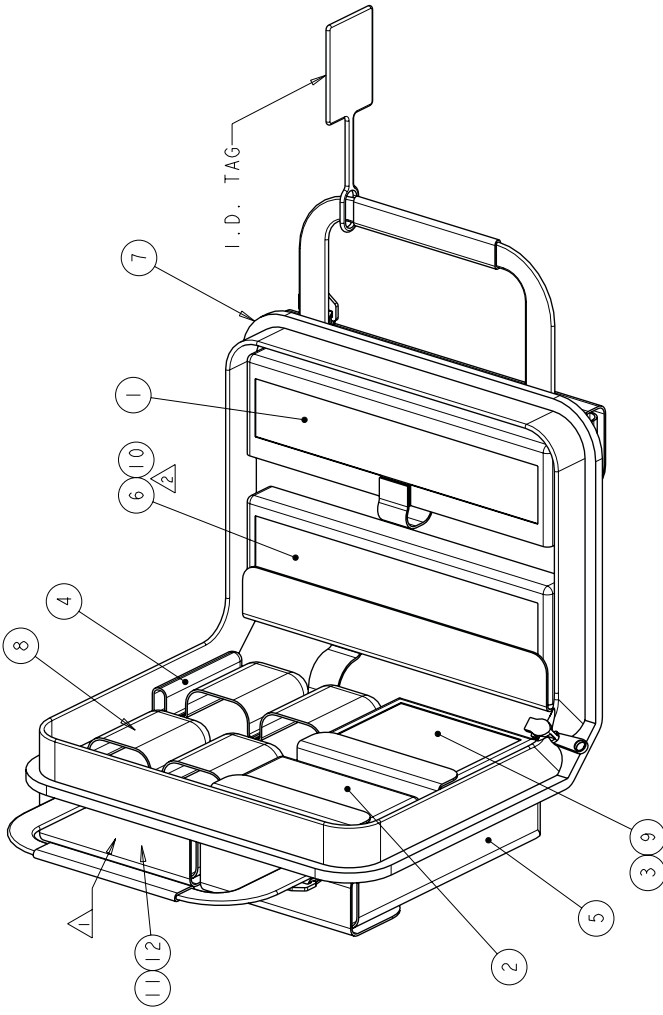


THIS DRAWING IS UNPUBLISHED. BY TYCO ELECTRONICS CORPORATION. ALL RIGHTS RESERVED. © COPYRIGHT 20

LOCK CE 00

REVISONS

P	TYR	DESCRIPTION	DATE	BY	APPD
G		REV PER ECR-09-000232	12JAN2009	BB	DK
H		ECR-09-005877	09MR2009	KG	SB



- 1. MANUFACTURER'S INSTRUCTION SHEETS.
- 2. OPTIONAL SHOULDER STRAP.
- 3. INSTRUCTION SHEETS 408-4020, 408-8925, 408-4471 AND 408-10103 EXPLAIN THE LightCrimp Plus LC TERMINATION TECHNIQUE AND ARE AVAILABLE FOR DOWNLOAD AT www.tycoelectronics.com/documents/or www.ampnetconnect.com/foguide

ITEM NO.	PART NUMBER	DESCRIPTION
1	2064710-1	FIBER OPTICS CLEANING & INSPECTION GUIDE
1	1374503-1	CD ROM, TERMINATION TRAINING
1	1754765-1	MICROSCOPE ADAPTER, 1.25mm
1	1278625-1	CABLE CLAMP
1	2064453-2	CABLE SLITTER, 2mm
1	1278540-1	PREMIUM SOFT CASE
1	1754767-1	200x MICROSCOPE KIT
1	1871696-1	FIBER CLEAVER, SLIDE CUTTER
2	1278422-1	OPEN END WRENCH, 1/4IN
1	2064540-1	CABLE HOLDER, LightCrimp Plus/LC/SC
1	1985766-1	DIESET, LightCrimp Plus/LC/SC/SPLICE
1	2064431-1	HANDTOOL FRAME, BLACK
-2	-1	ITEM NO.

DIMENSIONS: OTHER SPECIFIED: 0 P L C ± 2 P L C ± 3 P L C ± 4 P L C ± 5 P L C ± 6 P L C ± 7 P L C ± 8 P L C ± 9 P L C ± 10 P L C ± 11 P L C ± 12 P L C ± MATERIAL FINISH	DIMENSIONS: OTHER SPECIFIED: 0 P L C ± 2 P L C ± 3 P L C ± 4 P L C ± 5 P L C ± 6 P L C ± 7 P L C ± 8 P L C ± 9 P L C ± 10 P L C ± 11 P L C ± 12 P L C ± MATERIAL FINISH	DIMENSIONS: OTHER SPECIFIED: 0 P L C ± 2 P L C ± 3 P L C ± 4 P L C ± 5 P L C ± 6 P L C ± 7 P L C ± 8 P L C ± 9 P L C ± 10 P L C ± 11 P L C ± 12 P L C ± MATERIAL FINISH	DIMENSIONS: OTHER SPECIFIED: 0 P L C ± 2 P L C ± 3 P L C ± 4 P L C ± 5 P L C ± 6 P L C ± 7 P L C ± 8 P L C ± 9 P L C ± 10 P L C ± 11 P L C ± 12 P L C ± MATERIAL FINISH
DIMENSIONS: OTHER SPECIFIED: 0 P L C ± 2 P L C ± 3 P L C ± 4 P L C ± 5 P L C ± 6 P L C ± 7 P L C ± 8 P L C ± 9 P L C ± 10 P L C ± 11 P L C ± 12 P L C ± MATERIAL FINISH	DIMENSIONS: OTHER SPECIFIED: 0 P L C ± 2 P L C ± 3 P L C ± 4 P L C ± 5 P L C ± 6 P L C ± 7 P L C ± 8 P L C ± 9 P L C ± 10 P L C ± 11 P L C ± 12 P L C ± MATERIAL FINISH	DIMENSIONS: OTHER SPECIFIED: 0 P L C ± 2 P L C ± 3 P L C ± 4 P L C ± 5 P L C ± 6 P L C ± 7 P L C ± 8 P L C ± 9 P L C ± 10 P L C ± 11 P L C ± 12 P L C ± MATERIAL FINISH	DIMENSIONS: OTHER SPECIFIED: 0 P L C ± 2 P L C ± 3 P L C ± 4 P L C ± 5 P L C ± 6 P L C ± 7 P L C ± 8 P L C ± 9 P L C ± 10 P L C ± 11 P L C ± 12 P L C ± MATERIAL FINISH