



Chipsmall Limited consists of a professional team with an average of over 10 year of expertise in the distribution of electronic components. Based in Hongkong, we have already established firm and mutual-benefit business relationships with customers from,Europe,America and south Asia,supplying obsolete and hard-to-find components to meet their specific needs.

With the principle of “Quality Parts,Customers Priority,Honest Operation,and Considerate Service”,our business mainly focus on the distribution of electronic components. Line cards we deal with include Microchip,ALPS,ROHM,Xilinx,Pulse,ON,Everlight and Freescale. Main products comprise IC,Modules,Potentiometer,IC Socket,Relay,Connector.Our parts cover such applications as commercial,industrial, and automotives areas.

We are looking forward to setting up business relationship with you and hope to provide you with the best service and solution. Let us make a better world for our industry!



## Contact us

Tel: +86-755-8981 8866 Fax: +86-755-8427 6832

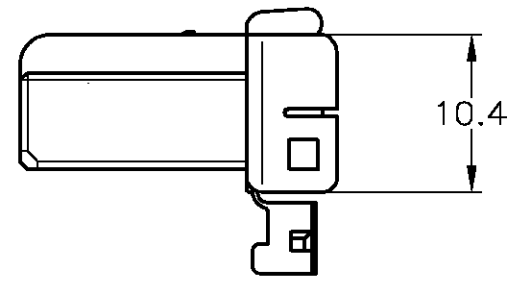
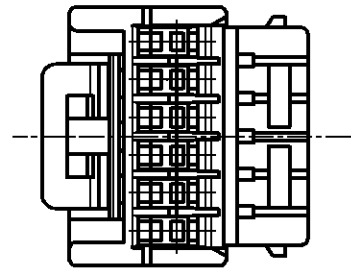
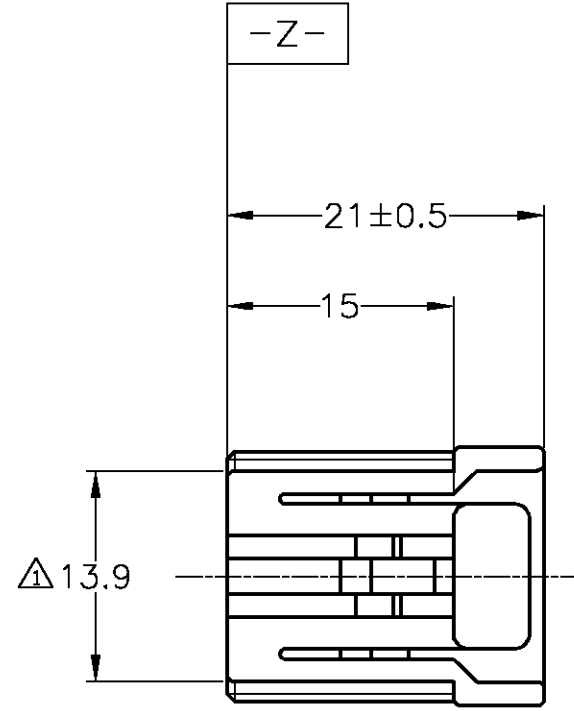
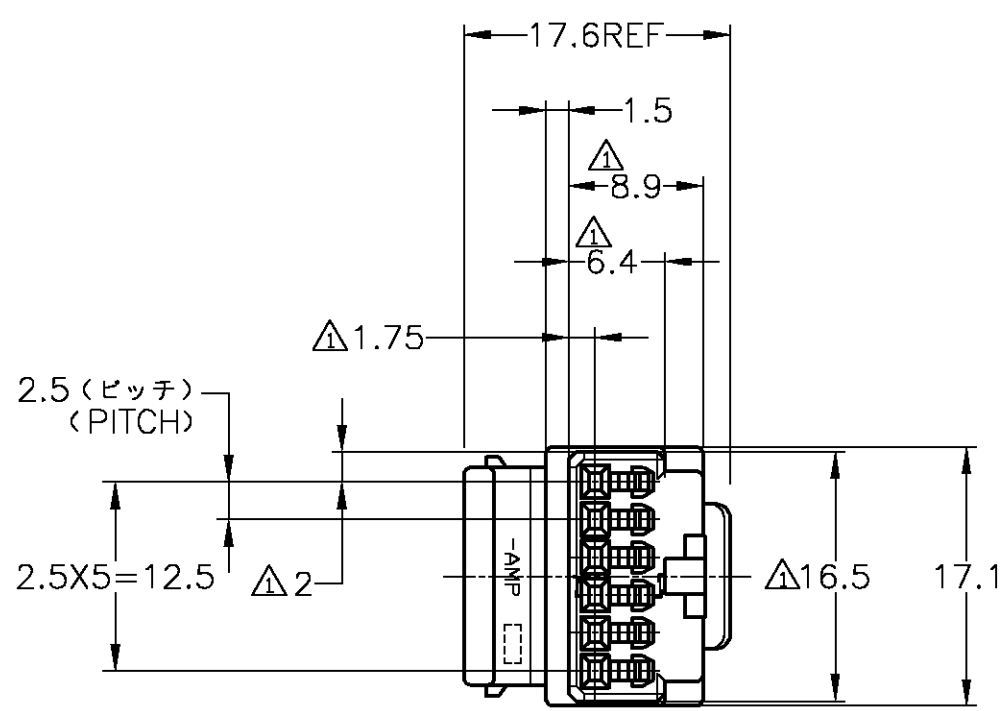
Email & Skype: info@chipsmall.com Web: www.chipsmall.com

Address: A1208, Overseas Decoration Building, #122 Zhenhua RD., Futian, Shenzhen, China



THIS DRAWING IS UNPUBLISHED. RELEASED FOR PUBLICATION  
 © COPYRIGHT BY TYCO ELECTRONICS CORPORATION. ALL RIGHTS RESERVED.

LOC	DIST	REVISIONS					
		P	LTR	DESCRIPTION	DATE	DWN	APVD
—	—	01	REVISED	ECR-06-027725	28NOV06	MS	KB



- △ MUST BE KEPT BETWEEN  $\square$ -Z- AND 2mm
- 2. THE MATING CAP HOUSING PART NUMBER; 175506
- 3. APPLIED CONTACT PART NUMBER 173716, 176381
- 4. APPLICABLE PRODUCT SPEC NO. 108-5281

- △  $\square$ -Z- 面より 2mm の範囲で測定
- 2. 嵌合相手ハウジング型番: 175506
- 3. 内装するリセブタクルコンタクト型番は 173716, 173681
- 4. 適用製品規格番号: 108-5318

黒 (BLACK)	175507-2
色 (COLOR)	PART NUMBER

TOLERANCES UNLESS OTHERWISE SPECIFIED: 一般公差

10 <sub>μ</sub>	: ±0.2
30 <sub>μ</sub>	> 10 : ±0.25
100 <sub>μ</sub>	> 30 : ±0.3
ANGLE	: ±3°

THIS DRAWING IS A CONTROLLED DOCUMENT.

DIMENSIONS: 単位: 概 mm	TOLERANCES UNLESS OTHERWISE SPECIFIED: 一般公差
	0 PLC ± -
	1 PLC ± -
	2 PLC ± -
	3 PLC ± -
	4 PLC ± -
	ANGLES ± -
MATERIAL 材料 PBT	FINISH 仕上 -

DWN	M.SUGAWARA	24NOV06
CHK	K.BETSUI	24NOV06
APVD	K.BETSUI	24NOV06
PRODUCT SPEC	製品規格 SEE NOTE	
APPLICATION SPEC	取付適用規格	
WEIGHT	-	

<b>tyco</b> Electronics		Tyco Electronics AMP K.K Kawasaki, Japan	
NAME 名称		6 POSITION PLUG HOUSING 040 SERIES MULTI-LOCK I/O CONNECTOR (NON INTERIA TYPE)	
SIZE	CAGE CODE	DRAWING NO 番号	RESTRICTED TO
A3	00779	C-175507	-
CUSTOMER DRAWING		SCALE 尺度 2:1	SHEET 1 OF 1 REV 01