



Chipsmall Limited consists of a professional team with an average of over 10 year of expertise in the distribution of electronic components. Based in Hongkong, we have already established firm and mutual-benefit business relationships with customers from,Europe,America and south Asia,supplying obsolete and hard-to-find components to meet their specific needs.

With the principle of “Quality Parts,Customers Priority,Honest Operation,and Considerate Service”,our business mainly focus on the distribution of electronic components. Line cards we deal with include Microchip,ALPS,ROHM,Xilinx,Pulse,ON,Everlight and Freescale. Main products comprise IC,Modules,Potentiometer,IC Socket,Relay,Connector.Our parts cover such applications as commercial,industrial, and automotives areas.

We are looking forward to setting up business relationship with you and hope to provide you with the best service and solution. Let us make a better world for our industry!



Contact us

Tel: +86-755-8981 8866 Fax: +86-755-8427 6832

Email & Skype: info@chipsmall.com Web: www.chipsmall.com

Address: A1208, Overseas Decoration Building, #122 Zhenhua RD., Futian, Shenzhen, China



NUMBER C-175564

3rd ANGLE PROJECTION

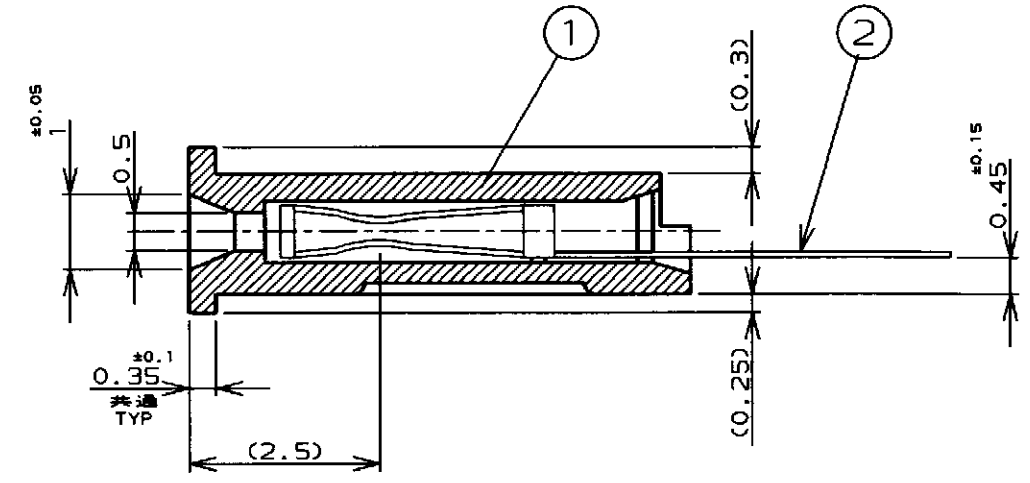
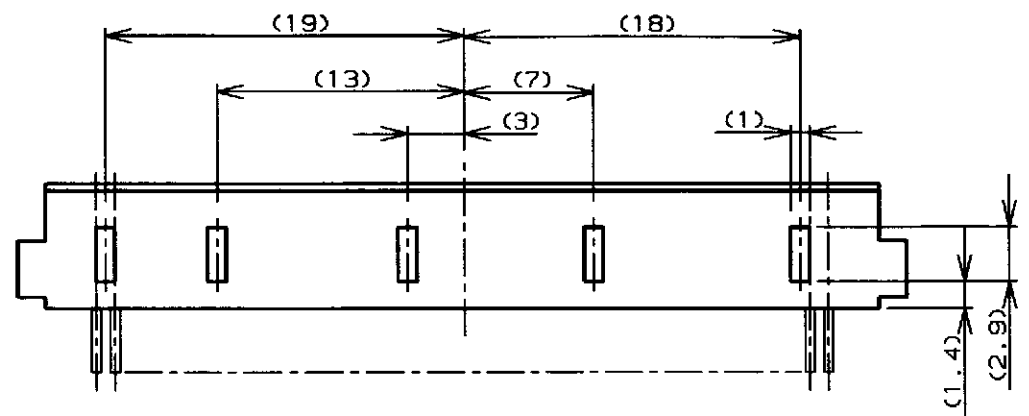
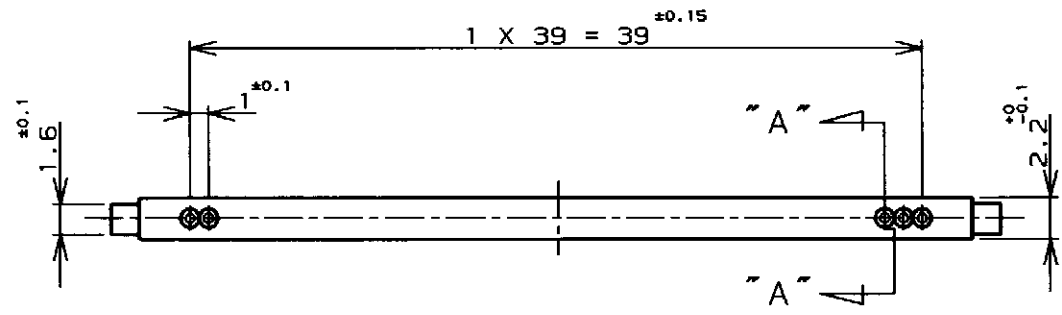
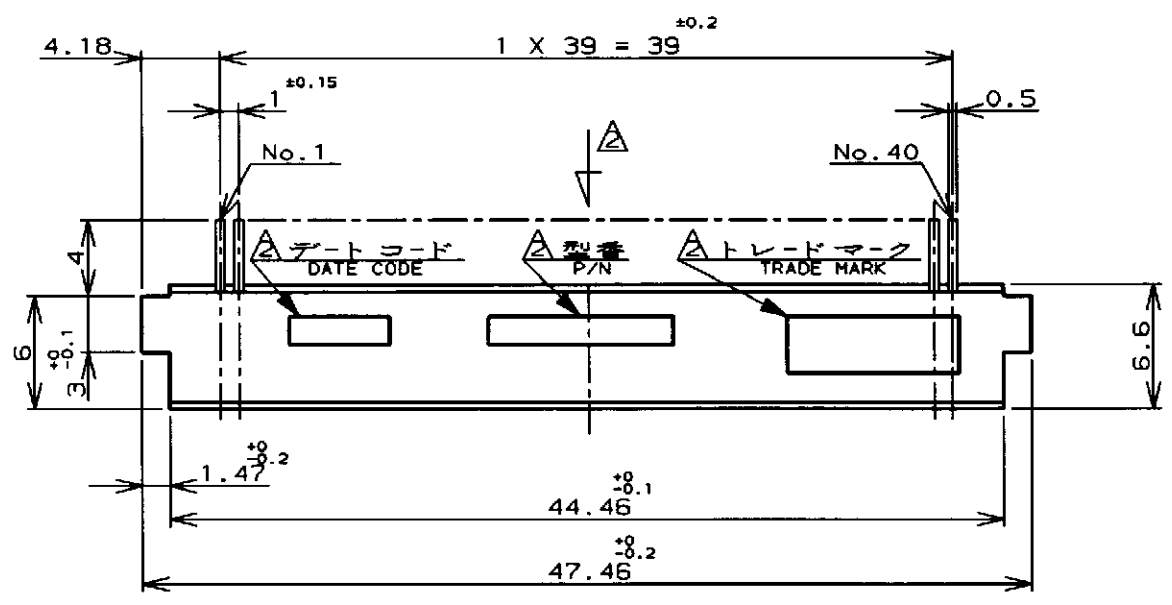
METRIC

PROJ. NO. 851-059

DIMENSIONS IN MILLIMETERS. DO NOT SCALE PRINT

PRINT DIST

-1; AS SHOWN
本図



断面 "A" - "A"
SECT

注記;

- 1 一般公差 : ±0.3
- △ マーキングは矢視方向から読めること。
- 3 ポスト単体引抜き力: 10g以上 (φ0.35のゲージピン使用)
- 4 かん合相手型番 175561-1
- 5 製品規格 : 108-5286

NOTES;

- 1 GENERAL TOLERANCE, ±0.3
- △ MARKING LETTERS CAN BE READ BY THE ARROW SIDE.
- 3 POST EXTRACTION FORCE, 10gMIN. (φ0.35 GAGE PIN)
- 4 MATE WITH P/N175561-1
- 5 PRODUCT SPEC : 108-5286

40	リセ REC CONT. コンタクト	BE-CU OR EQU'T ベリリウム銅/同等品	Ni PL. 全面ニッケル下地 : 1.5μm以上 Au PL. CONT AREA : 金めつき0.3μm以上 TJIN AREA : TJIN-HEAD PL. ライン部 : 半田めつき1μm以上	②
1	リセ REC HSG ハウジング	G.F. ガラス入PPS (94V-0)	COLOR: BLACK 色 : 黒	①
QTY 数量	名称 NAME	材料 MATERIAL	仕上 FINISH	アイテム

© 1991 BY AMP (Japan) LTD.
ALL RIGHTS RESERVED.

AMP AMP (JAPAN), LTD.
Kawasaki, Japan

WIRE RANGE mm ² (AWG -)		INSULATION DIA mmφ		NAME リセ・アッセンブリ REC. ASS'Y AMP MEMORY CARD CONN. (1mm PITCH 40P)	
MATERIAL SEE TABLE 表参照		FINISH SEE TABLE 表参照		GENERAL TOLERANCE 0 < x < 10 : ±0.2 10 < x < 30 : ±0.25 30 < x < 100 : ±0.3 ANGLES : ±3	
C	REVISED FJ00-1580-97	T.F.	14/OCT/97	DR. T.FUTATSUGI	14/OCT/97
LTR	REVISION RECORD	DR	CHK	DATE	APP. Y.YOSHIMURA
				SCALE ++	REV. C
				NUMBER A3 J	SHEET 1 OF 1