



Chipsmall Limited consists of a professional team with an average of over 10 year of expertise in the distribution of electronic components. Based in Hongkong, we have already established firm and mutual-benefit business relationships with customers from,Europe,America and south Asia,supplying obsolete and hard-to-find components to meet their specific needs.

With the principle of “Quality Parts,Customers Priority,Honest Operation,and Considerate Service”,our business mainly focus on the distribution of electronic components. Line cards we deal with include Microchip,ALPS,ROHM,Xilinx,Pulse,ON,Everlight and Freescale. Main products comprise IC,Modules,Potentiometer,IC Socket,Relay,Connector.Our parts cover such applications as commercial,industrial, and automotives areas.

We are looking forward to setting up business relationship with you and hope to provide you with the best service and solution. Let us make a better world for our industry!



Contact us

Tel: +86-755-8981 8866 Fax: +86-755-8427 6832

Email & Skype: info@chipsmall.com Web: www.chipsmall.com

Address: A1208, Overseas Decoration Building, #122 Zhenhua RD., Futian, Shenzhen, China



ARK-3500

3rd Gen. Intel® Core™ i3/ i5/ i7 with 2 Expansion slots and wide range power Fanless Box PC

NEW



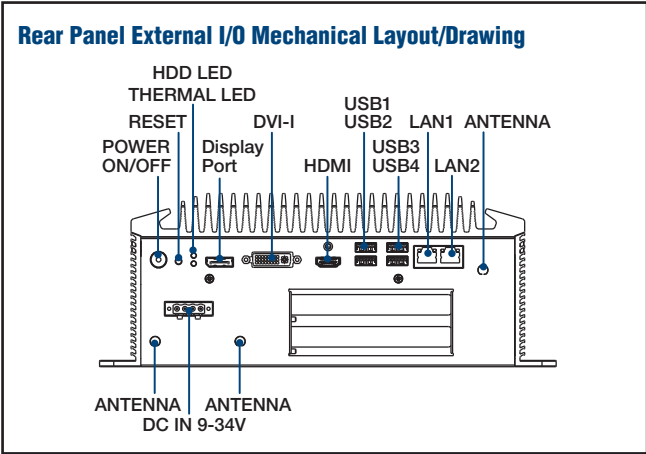
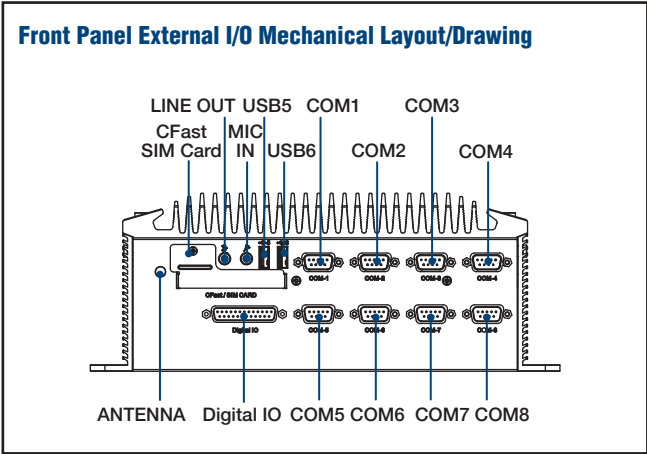
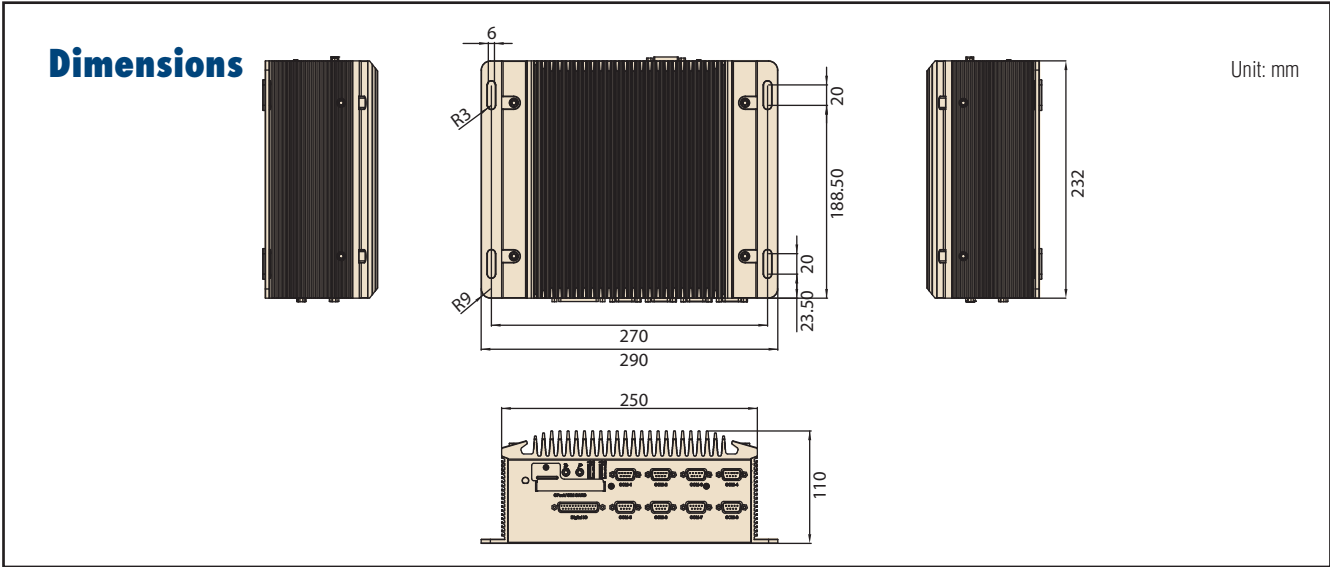
Features

- Supports Intel® Core™ i3/i5/i7 mobile processor(rPGA) + Intel QM77 PCH
- Triple independent display with 3rd gen Core i processor : DVI + HDMI + DisplayPort
- DDR3/DDR3L SO-DIMM memory support up to 16 GB
- 2 expansion slots with vary interface: PCI, PCIe x 1 & PCIe x 4
- 2 x miniPCIe slots with SIM card holders
- 9-34V wide range lockable DC jack design
- Versatile I/Os including 4 x high speed USB 3.0 and 8 x COM ports
- Flexible Storage Support including 2x mSATA, 1x CFast and 2x 2.5" SATA HDD/ SSD bays
- Supports iManager, WISE-PasS/RMM and Embedded Software APIs



Specifications

Processor System	CPU (rPGA)	Intel Core i7-3610QM	Intel Core i5-3610ME	Intel Core i3-3120ME	Celeron 1020E
	Frequency	2.3 GHz (Quad Core)	2.7 GHz (Dual Core)	2.4 GHz (Dual Core)	2.2 GHz (Dual Core)
	L3 Cache	6 MB	3 MB	3 MB	2 MB
	Watts	45W	35W	35W	35W
	System Chipset	Intel QM77			
Memory	BIOS	AMI EFI 64Mbit			
	Technology	DDR3/DDR3L 1600MHz			
	Max. Capacity	16 GB			
Graphics	Socket	2 x 204-pin SO-DIMM			
	Chipset	Intel QM77 Integrated GFX Gen 7			
	Graphic Engine	DirectX11, OpenGL 3.1, and Open CL 11; Hardware decode acceleration: AVC/H.264, MPEG-2, VC-1			
	CRT	VGA integrated in DVI-I port			
	DVI-I	1920 x 1200 @ 60 Hz			
	HDMI	Support HDMI 1.4, 1920 x 1200 @ 60 Hz			
	Display port	2560 x 1600 @ 60Hz (Video only, and only support on 3rd generation processor)			
Ethernet	Dual Display	VGA+DVI, VGA+HDMI, VGA+DP, DVI+HDMI, DVI+DP, HDMI+DP			VGA+DVI, DVI+HDMI, VGA+HDMI
	Triple Display	DVI-D + HDMI + DisplayPort (Main display)			N/A
Audio	LAN1	10/100/1000 Mbps Intel 82579LM GbE, support Wake On Lan			
	LAN2	10/100/1000 Mbps Intel I-210IT GbE, support Wake On Lan			
I/O Interface	Interface	Realtek ALC892, High Definition Audio, Line-out, Mic-in			
	Serial Port	4 x RS-232 ports, 4 x RS-232/422/485 port with auto flow control			
	USB	4 x USB 3.0 ports (USB1,2,3,4); 2 x USB 2.0 ports (USB5,6)			
Other	DIO	16 bit DIO			
	Watchdog Timer	255-level timer interval , setup by software			
Expansions	Mini PCIe	2 x Full-size Mini PCIe with SIM holder (Supports mSATA)			
	Add-on Card Slot	ARK-3500P-00A1E : 2 x PCI; Maximum card size: 110 mm (H) x 180 mm (L) ARK-3500F-00A1E : PCIe x 1 + PCIe x 4; Maximum card size: 110 mm (H) x 180 mm (L) Suggest maximum power consumption 10w for each slot			
Storage	HDD	Two 2.5" SATA HDD Bays with maximum device height 9.5mm, SATA III, Gen 3 Support (Max. Data Transfer Rate 600 MB/s), Support SATA RAID 0, 1			
	Solid State Disk	1 x CFast Card slot			
Software Support	Microsoft Windows	Windows 8 , Windows 7, XP Professional (32bit), XP Embedded (32bit)			
	Linux	Ubuntu 12.04			
Power Requirements	Power Type	AT/ATX			
	Power Input Voltage	9 ~ 34 V _{DC}			
	Power Adapter	AC to DC, DC 12V , 120W (Optional)			
Power Consumption	Typical	19.2W	16.4W	14.8W	16.4W
	Max.	60W	36.5W	30W	31.8W
Mechanical	Max. : test with 100% CPU loading and HDD R/W access only.				
	Construction	Aluminum housing			
	Mounting	Desk/wall-mounting			
	Dimensions (W x H x D)	290 x 110 x 232mm (11.4" x 4.33" x 9.13")			
	Weight	4.8 kg			
Environment	Operating Temperature	with extended temp peripherals: -10 ~ 60° C with 0.7m/s air flow with HDD: 0 ~ 40° C with 0.7m/s air flow			
	Storage Temperature	-40 ~ 85° C			
	Relative Humidity	95% @ 40° C (non-condensing)			
	Vibration During Operation	With SSD: 5 Grms, IEC 60068-2-64, random, 5 ~ 500 Hz, 1 hr/axis.			
	Shock During Operation	With SSD: 30 G, IEC 60068-2-27, half sine, 11 ms duration			
	EMC	CE/FCC Class A, CCC, BSMI			
Safety	CB, UL, CCC, BSMI				



Ordering Information

Part No.	CPU	DDR3	DP	HDMI	DVI-I	RS-232/422/485	RS-232	USB 3.0	USB 2.0	MiniPCIe	SIM	DC input	Expansion
ARK-3500P-00A1E	PGA Socket Type	up to 16 GB	1	1	1	4	4	4	2	2	2	9 ~ 34 V	2 x PCI
ARK-3500F-00A1E	PGA Socket Type	up to 16 GB	1	1	1	4	4	4	2	2	2	9 ~ 34 V	1 x PCIe x 1 1 x PCIe x 4

Note: Memory, storage and operating system bundled by request.

Packing List

Part Number	Description
1654009744	DVI-I to VGA adaptor
968EMLSAP2	SUSI CD
-	User Manual (Simplified Chinese)
-	China RoHS for ARK-3500 Electronic Pollution 1st
1652003234	4 pin DC in terminal block
1930001241	HDD screws
2190000902	CARDBOARD-WARRANTY REV. A2

Embedded OS

Part Number	Description
2070012570	WES2009 32bit 24MUI
2070012650	WES7E 32bit ENG/CHT/CHS/JPN
2070012706	WES7E 64bit ENG/CHT/CHS/JPN
2070014612	WES7P 32bit ENG/CHT/CHS/JPN
2070012628	WES7P 64bit ENG/CHT/CHS/JPN
2070013970	WES7E 32bit ENG/CHT/CHS/JPN (RAID)
2070013971	WES7E 64bit ENG/CHT/CHS/JPN (RAID)

Optional Items

Part Number	Description
96PSA-A150W19P4-1	AC-to-DC Adaptor, DC 19V, 150W, -20 ~ 70° C
1702002600	Power cable 3-pin 180cm, USA type
1702031801	Power cable 3-pin 180cm, UK type
1702002605	Power cable 3-pin 180cm, EU type
1700000237	Power cable 3-pin 180cm, with PSE
96MPI7M-2.3-6M9T	CORE 2.3G 6M 988P 4CORE I7-3610QE(G)
96MPI5-2.7-3M9T	CORE 2.7G 3M 988P 2CORE I5-3610ME(G)
96MPI3M-2.4-3M9T	CORE 2.4G 3M 988P 2CORE I3-3120ME(G)
96MPCM-2.2-2M9T	CELERON M 2.2G 2M 988P 2CORE I020E(G)
	CORE 2.9G 4M 988P 2CORE I7-3520M