



Chipsmall Limited consists of a professional team with an average of over 10 year of expertise in the distribution of electronic components. Based in Hongkong, we have already established firm and mutual-benefit business relationships with customers from,Europe,America and south Asia,supplying obsolete and hard-to-find components to meet their specific needs.

With the principle of “Quality Parts,Customers Priority,Honest Operation,and Considerate Service”,our business mainly focus on the distribution of electronic components. Line cards we deal with include Microchip,ALPS,ROHM,Xilinx,Pulse,ON,Everlight and Freescale. Main products comprise IC,Modules,Potentiometer,IC Socket,Relay,Connector.Our parts cover such applications as commercial,industrial, and automotives areas.

We are looking forward to setting up business relationship with you and hope to provide you with the best service and solution. Let us make a better world for our industry!



Contact us

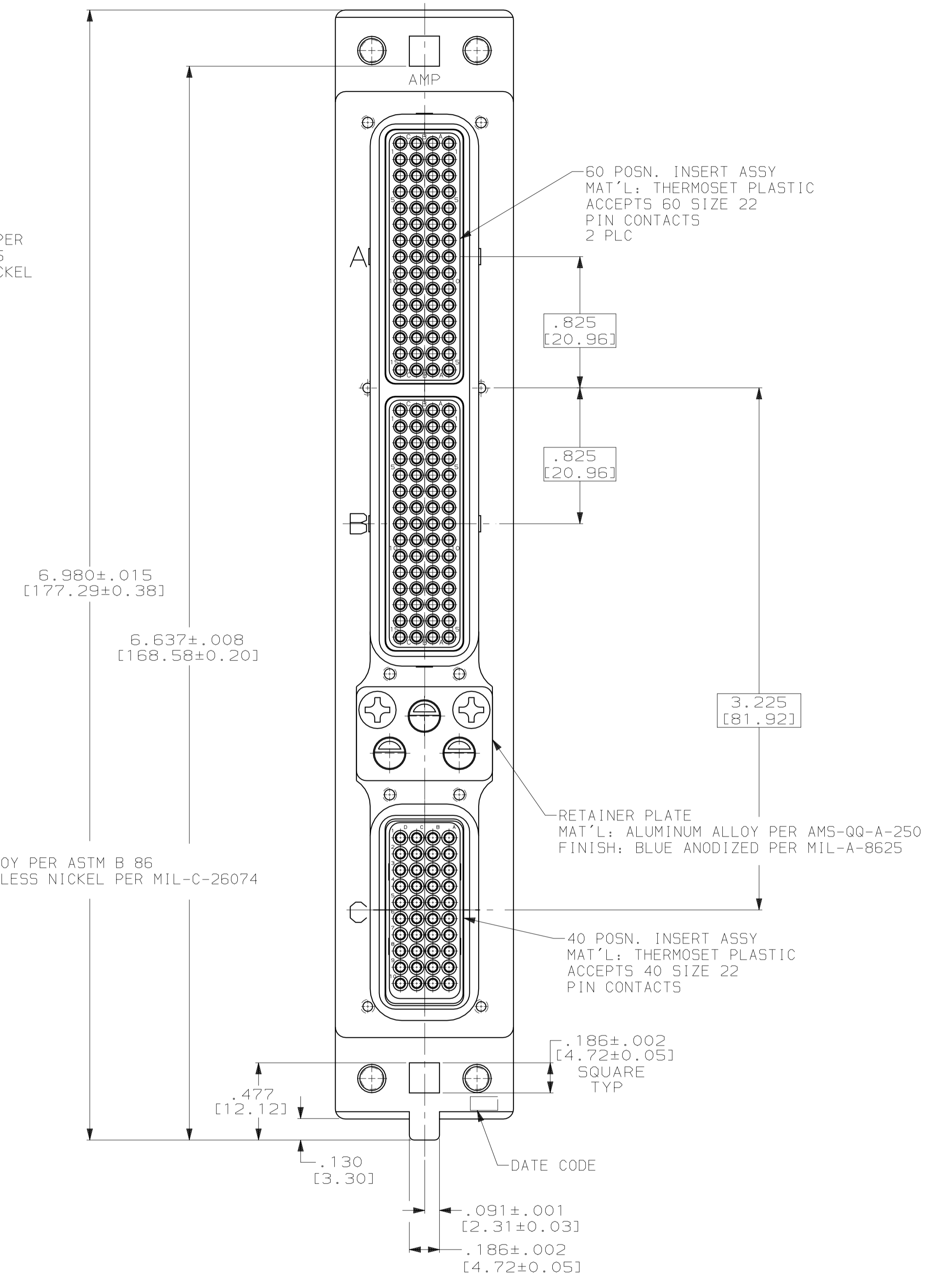
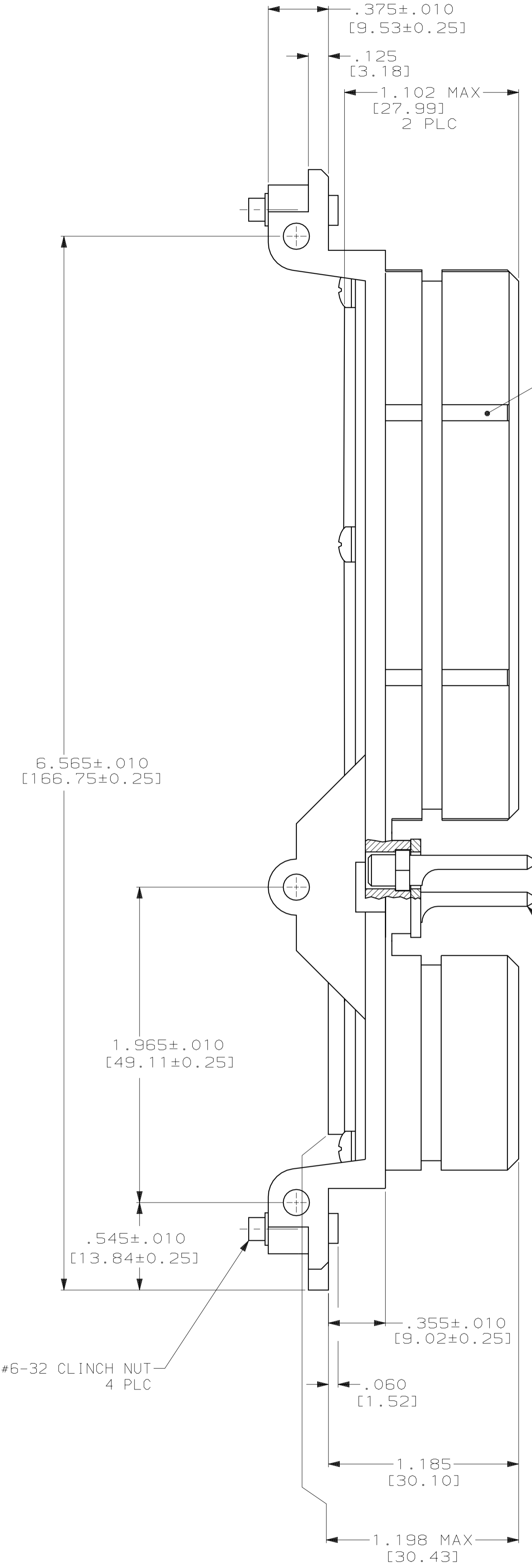
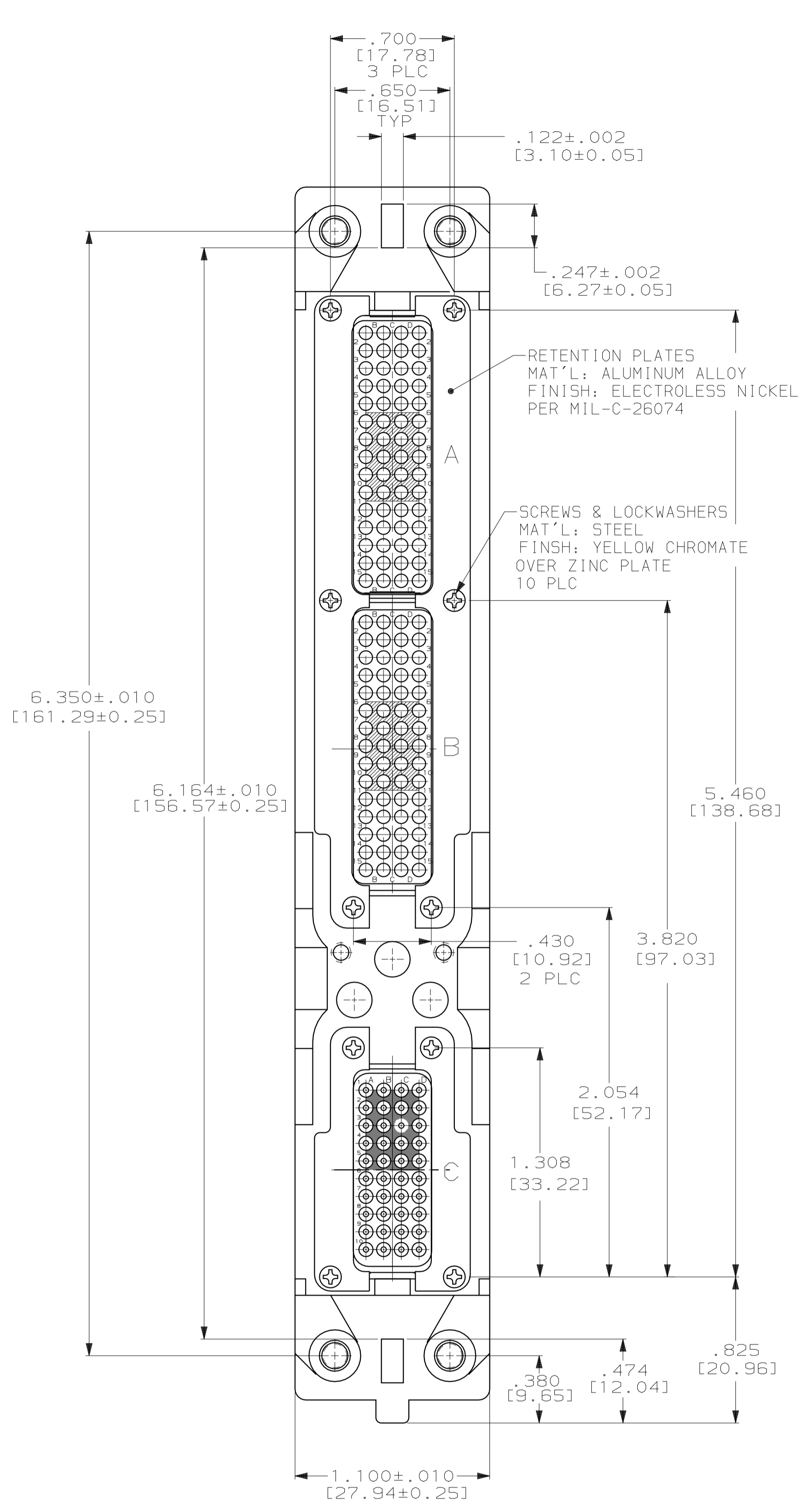
Tel: +86-755-8981 8866 Fax: +86-755-8427 6832

Email & Skype: info@chipsmall.com Web: www.chipsmall.com

Address: A1208, Overseas Decoration Building, #122 Zhenhua RD., Futian, Shenzhen, China



LOC		DIST		REVISIONS			
DF	AO	P	LFR	DESCRIPTION	DATE	DWN	APVD
		0		RELEASED	2-04	CT	SG



- CONNECTOR ASSEMBLED IN ACCORDANCE WITH ARINC 600 SPECIFICATION.
- KEYING SHOWN IN POSITION "01" FOR REFERENCE ONLY. CONNECTOR IS KEYED IN POSITION PER TABLE. FOR "00" KEYING, KEY HARDWARE PACKAGED UNASSEMBLED IN A SEPARATE CONTAINER.

KEYING POSITION	DESCRIPTIVE NUMBER	PART NUMBER
"00"	NIC66FN15A00CB1	1757040-1

THIS DRAWING IS A CONTROLLED DOCUMENT.

DIMENSIONS: INCHES (mm)	TOLERANCES UNLESS OTHERWISE SPECIFIED:	DWN C.C. THOMAS 2-10-04	TYCO Electronics Harrisburg, PA 17105-3608
0 PLC ±.005 [0.13]	1 PLC ±.005 [0.13]	CHK S. GLATFELTER 2-10-04	
MATERIAL SEE CALLOUTS	FINISH SEE CALLOUTS	APVD S. GLATFELTER 2-10-04	PRODUCT SPEC APPLICATION SPEC WEIGHT CUSTOMER DRAWING

SIZE A1	CAGE CODE 00779	DRAWING NO. 1757040	RESTRICTED TO
SCALE 2:1	SHEET 1 OF 1	REV 0	