



Chipsmall Limited consists of a professional team with an average of over 10 year of expertise in the distribution of electronic components. Based in Hongkong, we have already established firm and mutual-benefit business relationships with customers from,Europe,America and south Asia,supplying obsolete and hard-to-find components to meet their specific needs.

With the principle of "Quality Parts,Customers Priority,Honest Operation,and Considerate Service",our business mainly focus on the distribution of electronic components. Line cards we deal with include Microchip,ALPS,ROHM,Xilinx,Pulse,ON,Everlight and Freescale. Main products comprise IC,Modules,Potentiometer,IC Socket,Relay,Connector.Our parts cover such applications as commercial,industrial, and automotives areas.

We are looking forward to setting up business relationship with you and hope to provide you with the best service and solution. Let us make a better world for our industry!



## Contact us

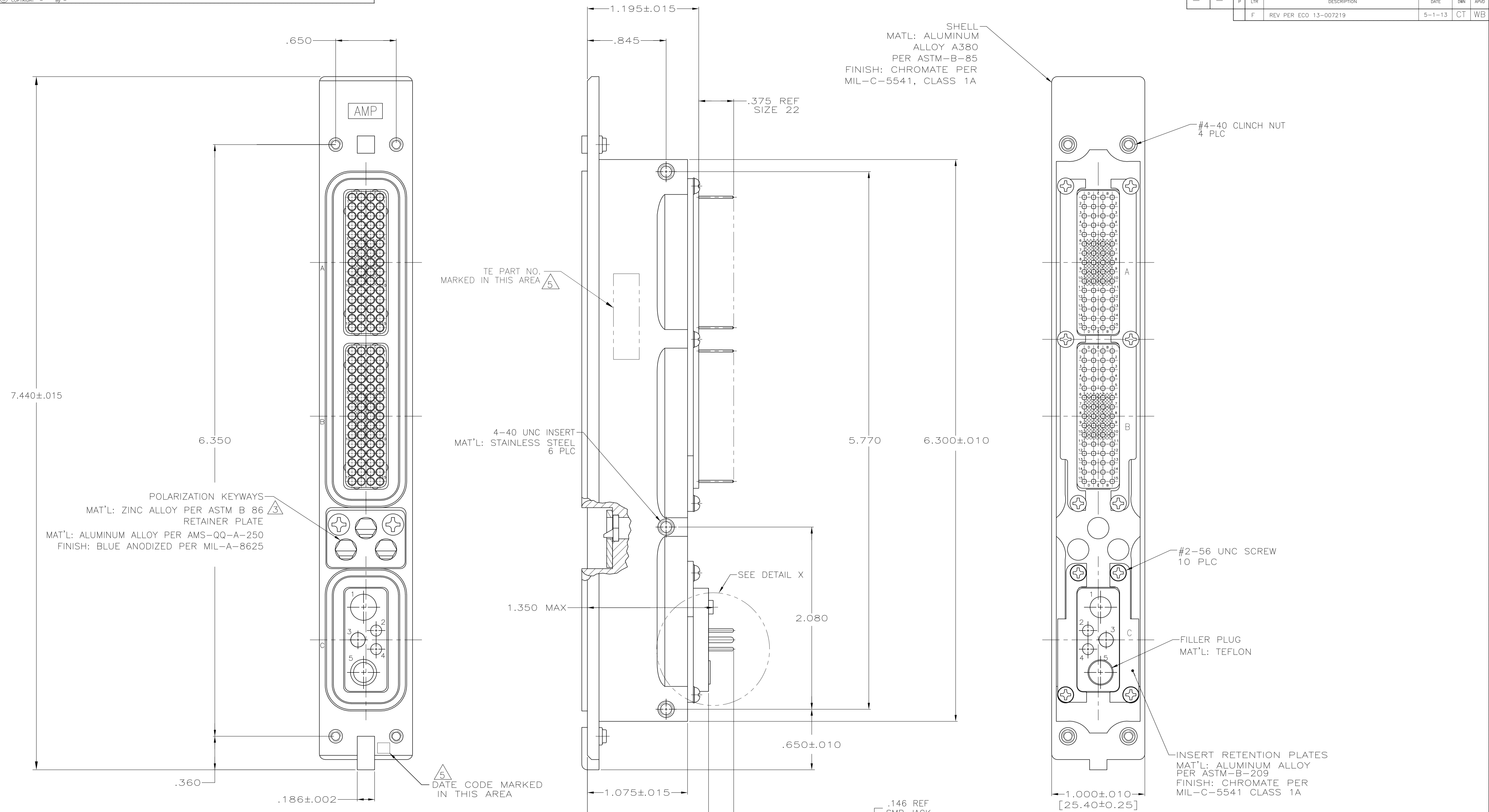
Tel: +86-755-8981 8866 Fax: +86-755-8427 6832

Email & Skype: info@chipsmall.com Web: www.chipsmall.com

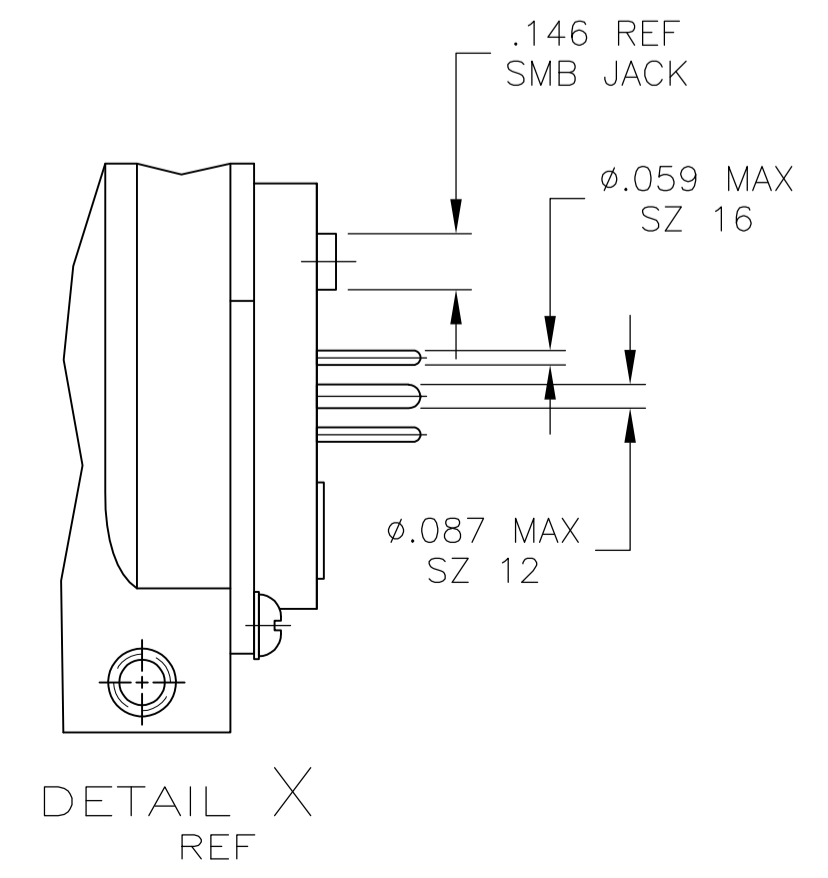
Address: A1208, Overseas Decoration Building, #122 Zhenhua RD., Futian, Shenzhen, China



LOC		DIST		REVISIONS			
F	LTR	DESCRIPTION	DATE	DN	APVD		
F		REV PER ECO 13-007219	5-1-13	CT	WB		



- CONNECTOR DIMENSIONS ARE PER ARINC 600 SPECIFICATION
- FOLLOWING CONTACTS ARE INCLUDED AND LOADED:  
 SIZE 22 SOCKET: AMP P/N 1-211431-4; QTY: 120  
 SIZE 16 PIN (POSTED): 1663128-6; QTY: 2  
 SIZE 12 PIN (POSTED): 1663129-6; QTY: 1  
 SIZE 5 FILLER PLUG: 1663132-1; QTY: 1  
 SIZE 5 SMB: P/N 1663389-2; QTY: 1  
 ALL SOLDER POSTS ARE SOLDER DIPPED.
- KEYING SHOWN IN POSITION "01" FOR REFERENCE ONLY. SEE TABLE FOR KEYING POSITION. FOR POSITION "00" KEYING SHIPPED UNASSEMBLED.
- CONTACTS NOT SHOWN IN FRONT AND REAR VIEWS FOR CLARITY.
- DATE CODE MAY BE LOCATED UNDER PART NUMBER.



"10"	1757056-1
KEYING POSITION	PART NUMBER

THIS DRAWING IS A CONTROLLED DOCUMENT.		DIN C.C.THOMAS 3-2-04		NAME	
DIMENSIONS: INCHES		TOLERANCES UNLESS OTHERWISE SPECIFIED:		CAGE CODE DRAWING NO	
0 PLC ± -		1 PLC ± -		A1 00779 1757056	
1 PLC ± -		2 PLC ± -		RESTRICTED TO	
2 PLC ± -		3 PLC ± .005		CUSTOMER DRAWING	
3 PLC ± -		4 PLC ± -		SCALE 2:1 SHEET 1 OF 1 REV F	
4 PLC ± -		ANGLES ± -			
MATERIAL SEE CALLOUTS		FINISH SEE CALLOUTS		WEIGHT	

**STE** TE Connectivity

RECEPTACLE ASSY, SIZE 1, ARINC 600 (60/60/5C2)