



Chipsmall Limited consists of a professional team with an average of over 10 year of expertise in the distribution of electronic components. Based in Hongkong, we have already established firm and mutual-benefit business relationships with customers from,Europe,America and south Asia,supplying obsolete and hard-to-find components to meet their specific needs.

With the principle of “Quality Parts,Customers Priority,Honest Operation,and Considerate Service”,our business mainly focus on the distribution of electronic components. Line cards we deal with include Microchip,ALPS,ROHM,Xilinx,Pulse,ON,Everlight and Freescale. Main products comprise IC,Modules,Potentiometer,IC Socket,Relay,Connector.Our parts cover such applications as commercial,industrial, and automotives areas.

We are looking forward to setting up business relationship with you and hope to provide you with the best service and solution. Let us make a better world for our industry!



Contact us

Tel: +86-755-8981 8866 Fax: +86-755-8427 6832

Email & Skype: info@chipsmall.com Web: www.chipsmall.com

Address: A1208, Overseas Decoration Building, #122 Zhenhua RD., Futian, Shenzhen, China



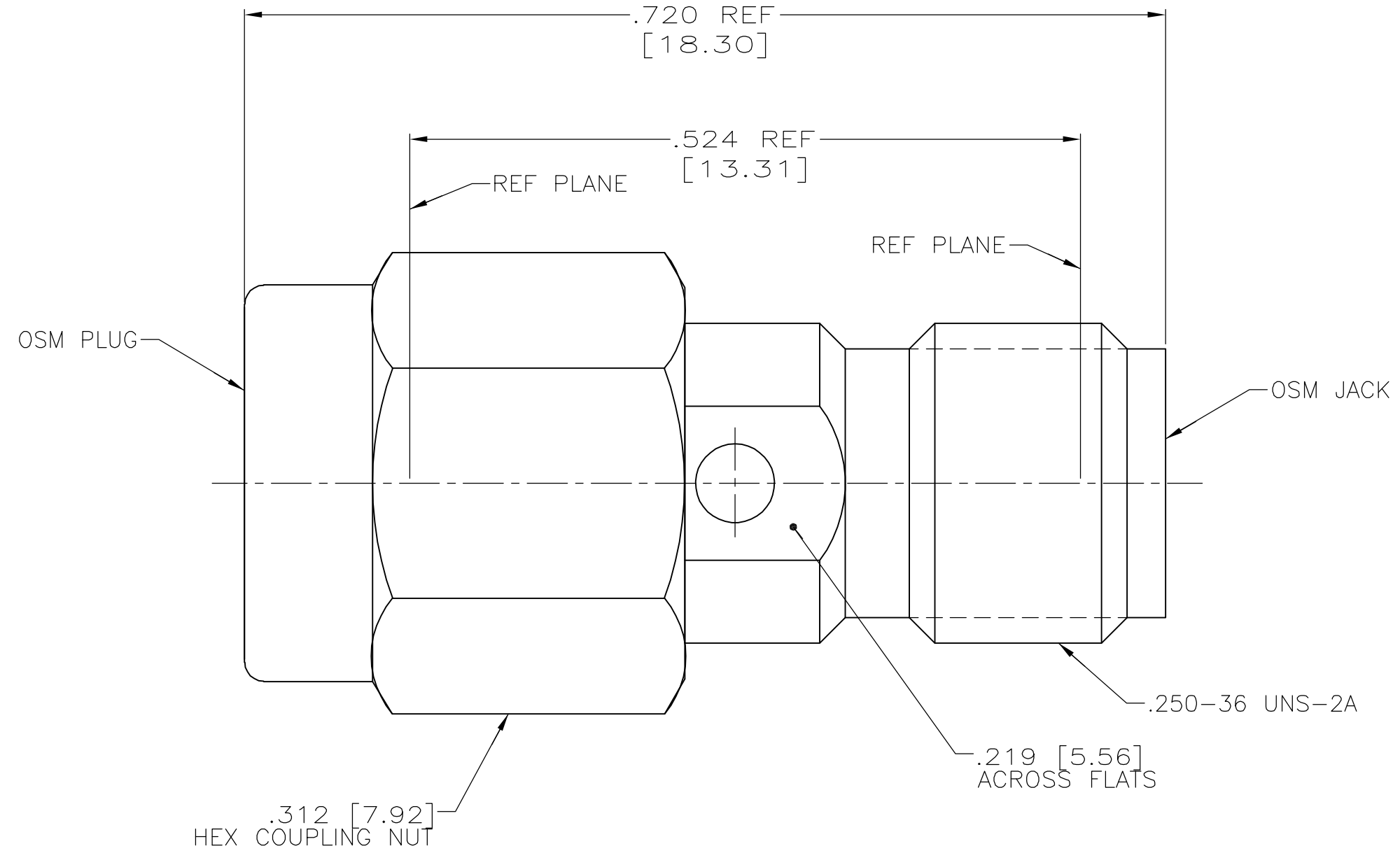
THIS DRAWING IS UNPUBLISHED.		RELEASED FOR PUBLICATION
© COPYRIGHT 19		BY AMP INCORPORATED. ALL RIGHTS RESERVED.
COMPONENT	MATERIAL	FINISH
HOUSING - COUPLING NUT	STAINLESS STEEL PER ASTM-A-484 OR ASTM-A-582 TYPE 303	GOLD PLATED PER ASTM-B-488 OVER NICKEL PER QQ-N-290
DIELECTRIC	TFE FLUORCARBON PER ASTM-D-1457	- -
CENTER CONTACT	BERYLLIUM COPPER PER ASTM-B-196 ALLOY C17300, CONDITION H	GOLD PLATED PER ASTM-B-488 OVER COPPER PER MIL-C-14550
RETAINING RING	BERYLLIUM COPPER PER ASTM-B-194 ALLOY C17200, CONDITION H	- -
GASKET	SILICONE RUBBER PER ZZ-R-765	- -

ENVIRONMENTAL	
TEMPERATURE RATING:	-65° C TO +125° C
VIBRATION:	MIL-STD-202, METHOD 204, CONDITION D
SHOCK:	MIL-STD-202, METHOD 213, CONDITION 1
MOISTURE RESISTANCE:	MIL-STD-202, METHOD 106
CORROSION:	MIL-STD-202, METHOD 101, CONDITION B. 5% SALT SPRAY
THERMAL SHOCK:	MIL-STD-202, METHOD 107, CONDITION B EXCEPT HIGH TEMP SHALL BE 155° C

MECHANICAL	
INTERFACE DIMENSIONS:	MIL-STD-348A FIG. 310.1 & 310.2
RECOMMENDED MATING TORQUE:	7-10 IN-LBS
FORCE TO ENGAGE & DISENGAGE (IN-LBS MAX.):	2.0
WEIGHT (GRAMS):	TBD
MATING CHARACTERISTICS:	INSERTION (MAX LBS): 3.0 WITHDRAWAL (MIN OZ): 1.0
COUPLING PROOF TORQUE (IN-LBS MIN)	15
COUPLING MECHANISM RETENTION FORCE (LBS MIN)	60
CENTER CONTACT CAPTIVATION:	AXIAL (LBS): 6.0 RADIAL (IN-OZ): 4.0

ELECTRICAL	
NORMAL IMPEDANCE (OHMS):	50
FREQUENCY RANGE (GHz):	DC TO 18
VOLT RATING @ SEA LEVEL (VRMS MAX):	335
VSWR:	1.05+.005f(GHz)
INSERTION LOSS: (dB MAX):	.03 √ f(GHz)
RF LEAKAGE (dB MIN):	[-60-f(GHz)]
CORONA 70,000 FT (VRMS MIN):	250
DIELECTRIC WITHSTANDING VOLTAGE (VRMS MIN) AT SEA LEVEL:	1,500
I.R. (MEGOHMS MIN):	5,000
RF HIGH POTENTIAL AT SEA LEVEL (VRMS MIN @ 5 MHz):	670
CONTACT RESISTANCE (MILLIOHMS MAX):	CENTER CONTACT: 4.0 OUTER CONTACT: 2.0 CABLE TO HOUSING: N/A

LOC	DIST	REVISIONS					
DF	XO	P	LTR	DESCRIPTION	DATE	DWN	APVD
		0		REV PER OH14-0436-04	7-04	CT	FB



1757092-1
PART NO.

THIS DRAWING IS A CONTROLLED DOCUMENT.		DWN	C.C.THOMAS	7-16-04	tyco Electronics	TYCO Electronics Corporation Harrisburg, PA 17105-3608	AMP
DIMENSIONS: INCHES [mm]		CHK	F.BLASICK	7-19-04			
TOLERANCES UNLESS OTHERWISE SPECIFIED:		APVD	F.BLASICK	7-19-04	NAME		
0 PLC ±-		PRODUCT SPEC			SMA JACK TO SMA PLUG ADAPTER		
1 PLC ±-		USE ASSEMBLY PROCEDURE			RESTRICTED TO		
2 PLC ±-		WEIGHT			SIZE		
3 PLC ±.005 [0.13]		CAGE CODE			DRAWING NO		
4 PLC ±-		A200779			1757092		
ANGLES ±-		CUSTOMER DRAWING			SCALE 10:1		
FINISH		SHEET 1 OF 1			REV 0		
SEE TABLE		SEE TABLE					