



Chipsmall Limited consists of a professional team with an average of over 10 year of expertise in the distribution of electronic components. Based in Hongkong, we have already established firm and mutual-benefit business relationships with customers from,Europe,America and south Asia,supplying obsolete and hard-to-find components to meet their specific needs.

With the principle of “Quality Parts,Customers Priority,Honest Operation,and Considerate Service”,our business mainly focus on the distribution of electronic components. Line cards we deal with include Microchip,ALPS,ROHM,Xilinx,Pulse,ON,Everlight and Freescale. Main products comprise IC,Modules,Potentiometer,IC Socket,Relay,Connector.Our parts cover such applications as commercial,industrial, and automotives areas.

We are looking forward to setting up business relationship with you and hope to provide you with the best service and solution. Let us make a better world for our industry!



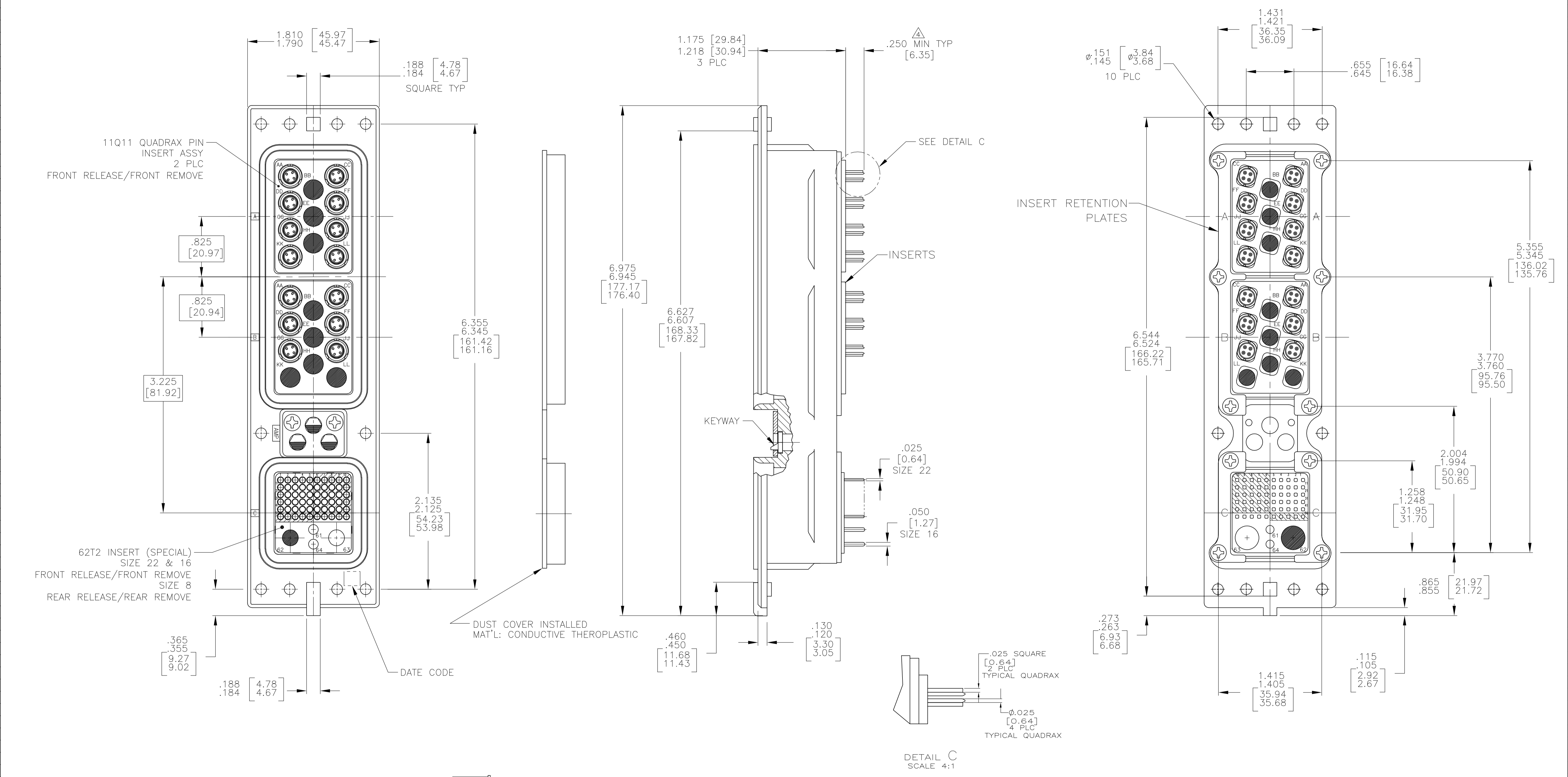
Contact us

Tel: +86-755-8981 8866 Fax: +86-755-8427 6832

Email & Skype: info@chipsmall.com Web: www.chipsmall.com

Address: A1208, Overseas Decoration Building, #122 Zhenhua RD., Futian, Shenzhen, China



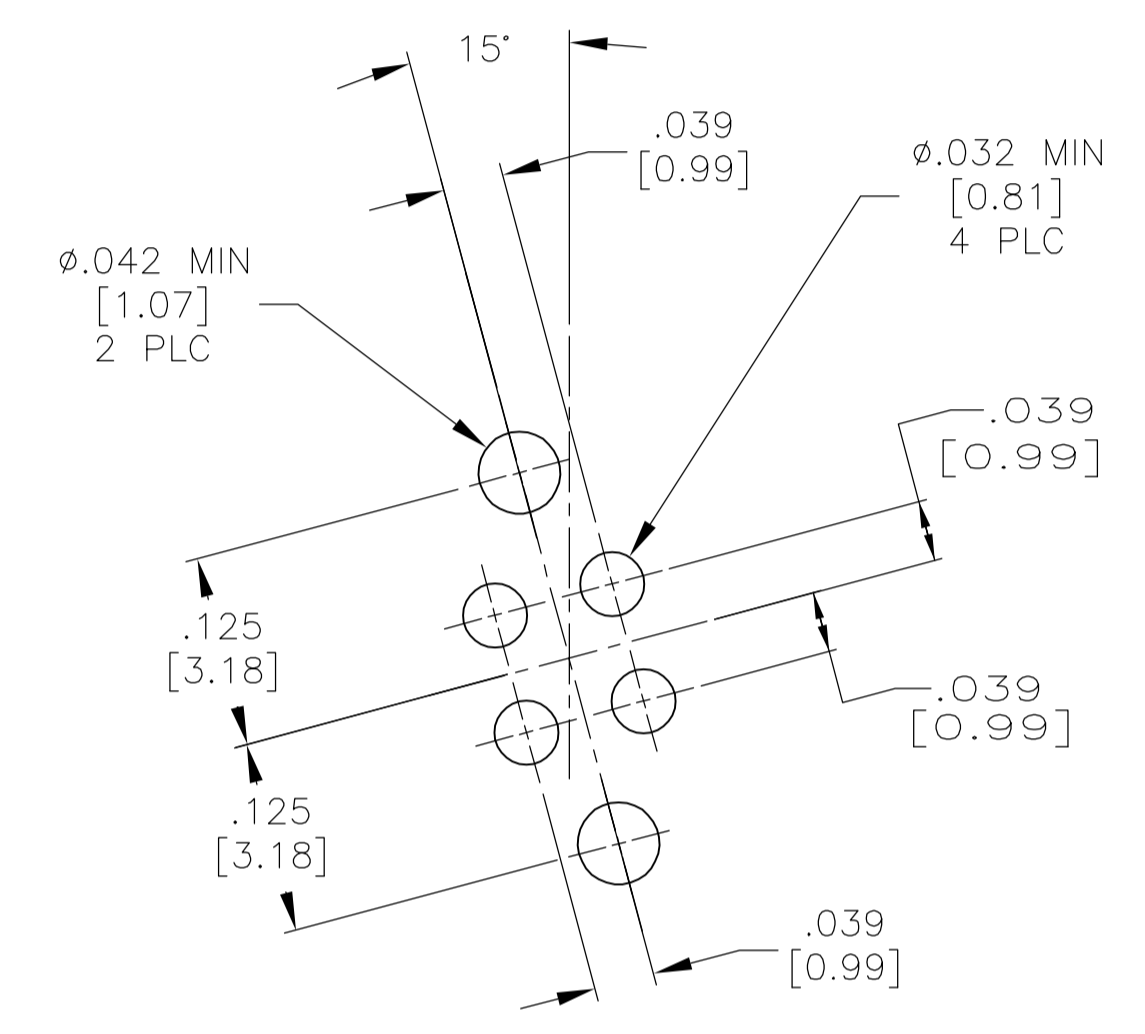


- CONNECTOR DIMENSIONS ARE PER ARINC 600 SPECIFICATION UNLESS OTHERWISE SPECIFIED.
- CONNECTOR IS SUPPLIED WITH CONTACTS (PER TABLE) ASSEMBLED AS SHOWN.
- KEYING SHOWN IN POSITION "01" FOR ILLUSTRATION ONLY. CONNECTORS SHIPPED WITH KEYING INSTALLED IN POSITION PER TABLE.
- WITH CONTACT FULLY SEATED TO REAR OF CAVITY.
- FILLER PLUGS ARE SHOWN AS CROSSHATCHED AREAS IN CAVITIES.

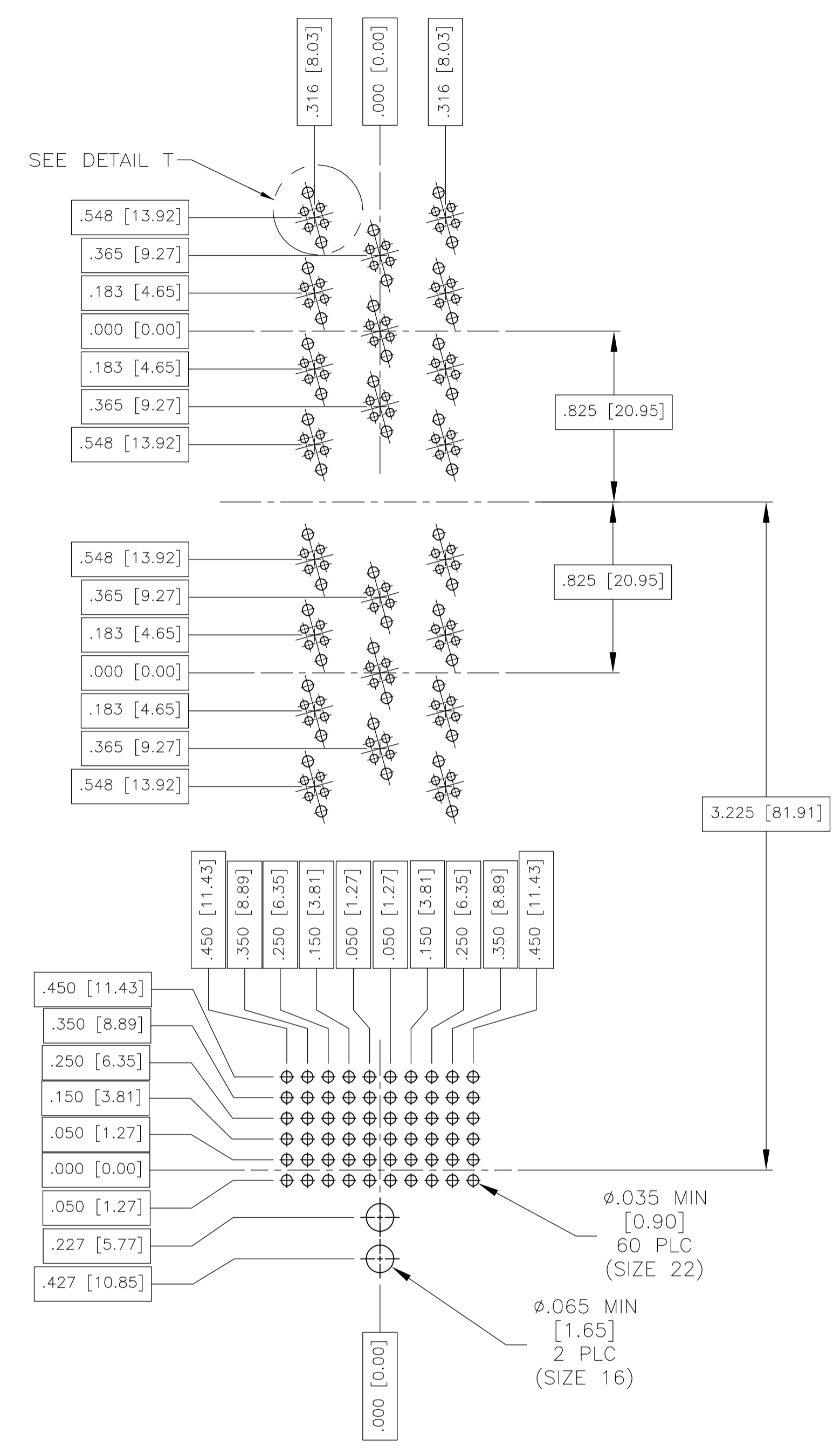
COMPONENT	MATERIAL	FINISH
SHELL	DIE CAST ALUMINUM PER ASTM-B-85	ELECTROLESS NICKEL PER MIL-C-26074 CLASS 3 OR 4, GRADE B
RETENTION PLATES	ALUMINUM ALLOY PER ASTM-B-209	ELECTROLESS NICKEL PER MIL-C-26074 CLASS 3 OR 4, GRADE B
SCREWS AND LOCKWASHERS	STEEL OR STAINLESS STEEL	CHROMATE OVER ZINC OR PASSIVATED
KEYWAY	ZINC ALLOY PER ASTM-B-86	-
62Q2 INSERT	THERMOSET	-
KEYWAY RETAINING PLATE	ALUMINUM ALLOY PER ASTM-B-209	BLUE ANODIZED PER MIL-A-8625
QUADRAX INSERTS	ALUMINUM ALLOY PER ASTM-B-209	ELECTROLESS NICKEL PER MIL-C-26074 CLASS 3 OR 4, GRADE B
FILLER PLUGS	ALUMINUM ALLOY PER ASTM-B-211	ELECTROLESS NICKEL PER MIL-C-26074

68	MODULE A & B: SIZE 8 QUADRAX: 1445626-4 (QTY=14) SIZE 8 FILLER PLUG: 1663983-1 (QTY=8) CONTACTS & PLUGS LOADED AS SHOWN	1757138-1
	MODULE C: SIZE 22: 211431-4 (QTY=60) SIZE 16: 1-448139-4 (QTY=2) SIZE 8 FILLER PLUG: 1663588-1 (QTY=1) FILLER PLUG LOADED AS SHOWN	
KEYING POSITION	CONTACTS INCLUDED AND INSTALLED	PART NUMBER

THIS DRAWING IS A CONTROLLED DOCUMENT.		DIN C.C.THOMAS 5-25-04	Tyco Electronics Corporation Harrisburg, Pa 17105-3608
DIMENSIONS: INCHES	TOLERANCES UNLESS OTHERWISE SPECIFIED:	5-25-04	
	0 PLC ± -	APVD S. GLATFELTER 5-25-04	NAME RCPT ASSY, SIZE 2, ARINC 600 (11Q11/11Q11/62Q2 SPECIAL)
	1 PLC ± -	PRODUCT SPEC	
MATERIAL SEE TABLE	FINISH SEE TABLE	APPLICATION SPEC	RESTRICTED TO
CUSTOMER DRAWING		SCALE 1.5:1	SHEET 1 OF 2



DETAIL T
SCALE NTS
22 PLC



THIS DRAWING IS A CONTROLLED DOCUMENT.		DIN C.C.THOMAS 5-25-04		Tyco Electronics Corporation Harrisburg, Pa 17105-3608	
DIMENSIONS: INCHES		CHK S.GLATFELTER 5-25-04		APVD S.GLATFELTER 5-25-04	NAME RCPT ASSY, SIZE 2, ARINC 600 (11Q11/11Q11/62T2 SPECIAL)
TOLERANCES UNLESS OTHERWISE SPECIFIED: 0 PLC ± - 1 PLC ± - 2 PLC ± - 3 PLC ± - 4 PLC ± - ANGLES ± -		PRODUCT SPEC		APPLICATION SPEC	
MATERIAL SEE TABLE		FINISH SEE TABLE		WEIGHT -	RESTRICTED TO -
CUSTOMER DRAWING		SIZE A1	CAGE CODE 00779	DRAWING NO 1757138	SCALE 1.5:1
		SHEET 2	OF 2	REV B	