



Chipsmall Limited consists of a professional team with an average of over 10 year of expertise in the distribution of electronic components. Based in Hongkong, we have already established firm and mutual-benefit business relationships with customers from,Europe,America and south Asia,supplying obsolete and hard-to-find components to meet their specific needs.

With the principle of “Quality Parts,Customers Priority,Honest Operation,and Considerate Service”,our business mainly focus on the distribution of electronic components. Line cards we deal with include Microchip,ALPS,ROHM,Xilinx,Pulse,ON,Everlight and Freescale. Main products comprise IC,Modules,Potentiometer,IC Socket,Relay,Connector.Our parts cover such applications as commercial,industrial, and automotives areas.

We are looking forward to setting up business relationship with you and hope to provide you with the best service and solution. Let us make a better world for our industry!



Contact us

Tel: +86-755-8981 8866 Fax: +86-755-8427 6832

Email & Skype: info@chipsmall.com Web: www.chipsmall.com

Address: A1208, Overseas Decoration Building, #122 Zhenhua RD., Futian, Shenzhen, China



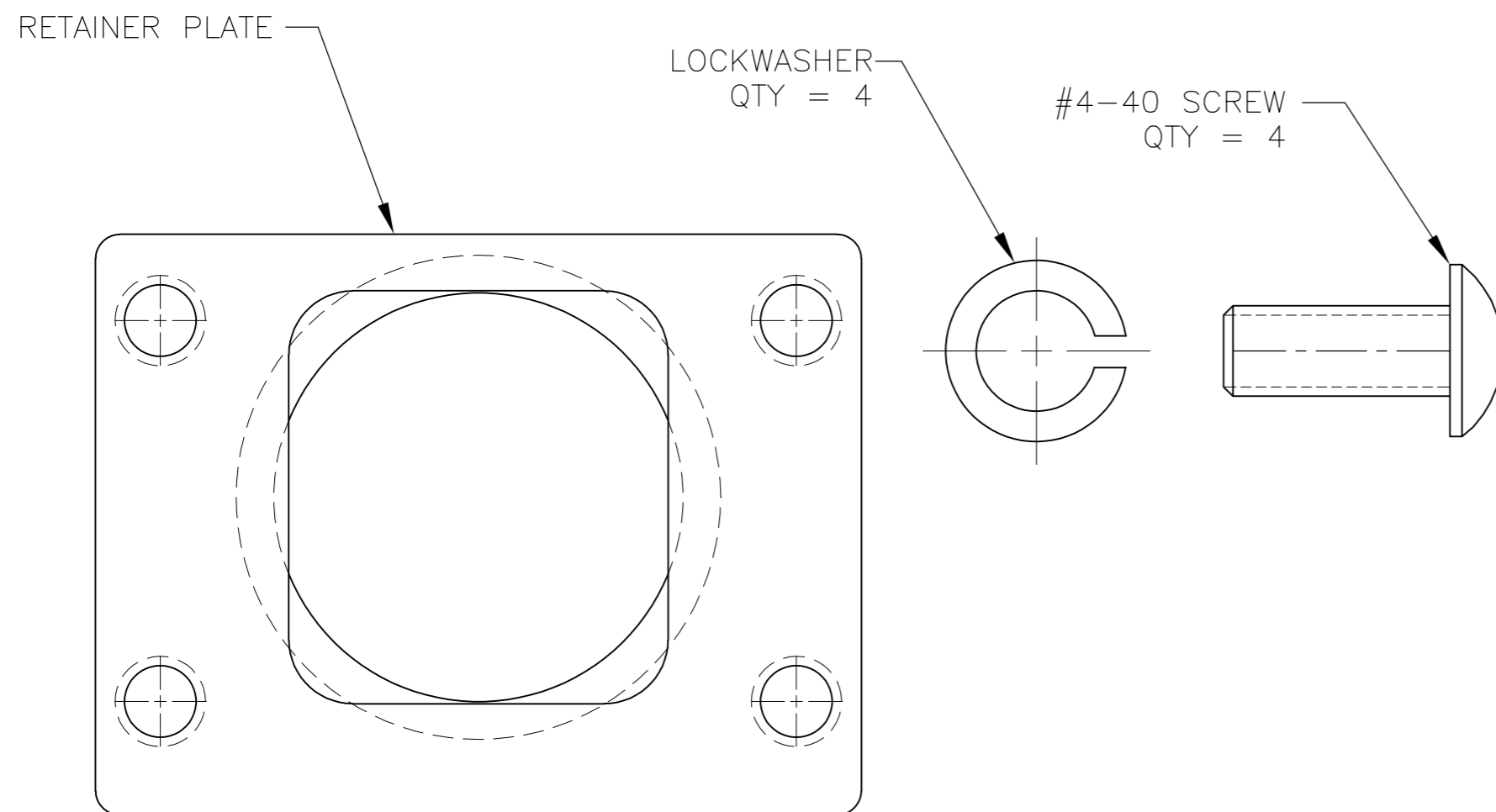
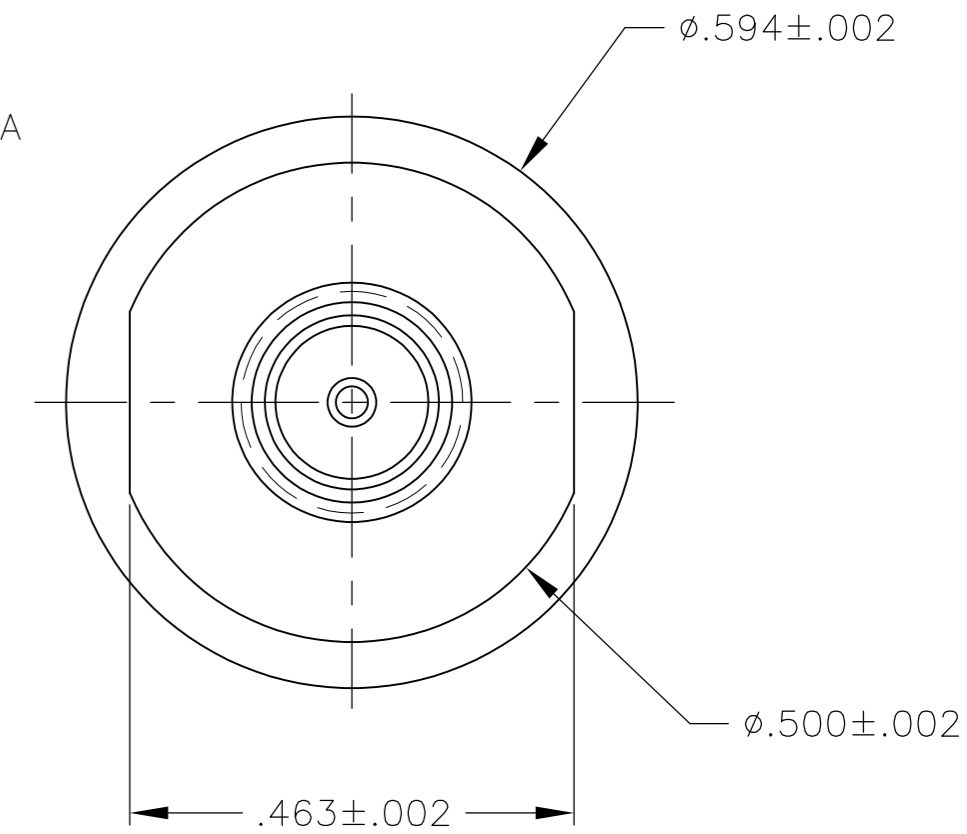
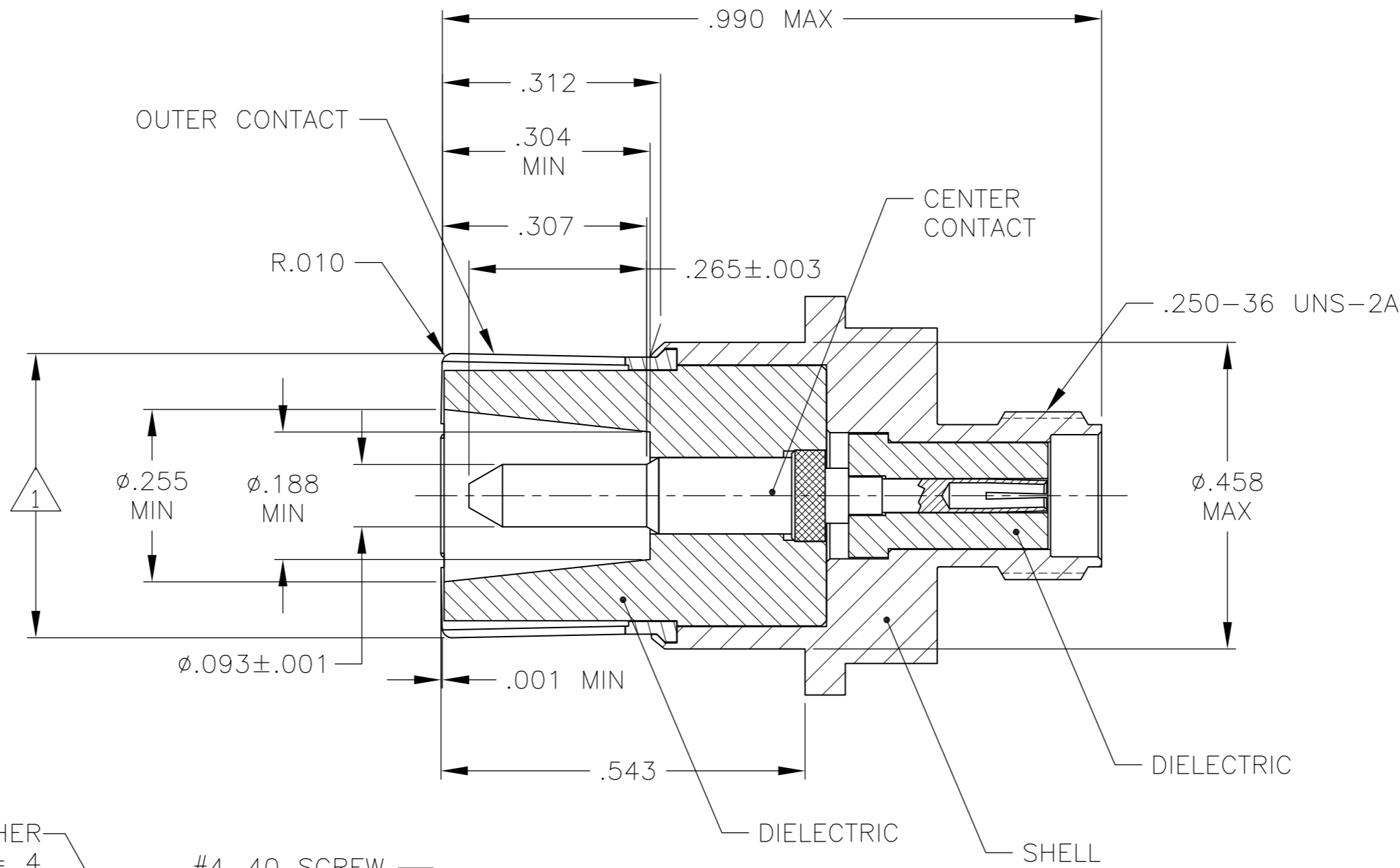
THIS DRAWING IS UNPUBLISHED. RELEASED FOR PUBLICATION

© COPYRIGHT BY TYCO ELECTRONICS CORPORATION. ALL RIGHTS RESERVED.

LOC	DIST	REVISIONS			
P	LTR	DESCRIPTION	DATE	DWN	APVD
DF	A0	REV PER ECO-07-029503	20DEC07	PY	KT

COMPONENT	MATERIAL	FINISH
SHELL	STAINLESS STEEL PER ASTM-A-582 TYPE 303	PASSIVATED PER QQ-P-35
DIELECTRIC	PTFE FLUORCARBON PER ASTM-D-1710	-
CENTER CONTACT	BERYLLIUM COPPER PER ASTM-B-196	GOLD PLATED PER ASTM-B-488 OVER NICKEL PER QQ-N-290
OUTER CONTACT	BERYLLIUM COPPER PER ASTM-B-196	GOLD PLATED PER ASTM-B-488 OVER NICKEL PER QQ-N-290
RETAINER PLATE	ALUMINUM ALLOY PER ASTM-B-211 OR ASTM-B-209	ELECTROLESS NICKEL PER MIL-C-26074
SCREW LOCKWASHER	STAINLESS STEEL PER ASTM-A-582 TYPE 303	PASSIVATED

- 1 FLARE TO MEET OUTER CONTACT GAGE TEST PER MIL-C-39012/15
- 2 1757180-2 INCLUDES A RETAINER PLATE AND 4 SCREWS & LOCKWASHERS IN A SEPARATE CONTAINER.



2	1757180-2
-	1757180-1
REMARKS	PART NO.

THIS DRAWING IS A CONTROLLED DOCUMENT.		DWN	C.C.THOMAS	9-2-04	Tyco Electronics Corporation Harrisburg, Pa 17105-3608
DIMENSIONS: INCHES		CHK	S.GLATFELTER	9-2-04	
TOLERANCES UNLESS OTHERWISE SPECIFIED:		APVD	S.GLATFELTER	9-2-04	
0 PLC ± - 1 PLC ± - 2 PLC ± - 3 PLC ± .005 4 PLC ± - ANGLES ± - FINISH -		PRODUCT SPEC	NAME		
MATERIAL		APPLICATION SPEC	PIN CONTACT ASSY, SIZE 1, COAX SMA ADAPTER, ARINC 600		
		WEIGHT	SIZE CAGE CODE DRAWING NO		RESTRICTED TO
		CUSTOMER DRAWING	A2 00779 C=1757180		-
		SCALE	5:1		SHEET 1 OF 1
		REV	A		