



Chipsmall Limited consists of a professional team with an average of over 10 year of expertise in the distribution of electronic components. Based in Hongkong, we have already established firm and mutual-benefit business relationships with customers from,Europe,America and south Asia,supplying obsolete and hard-to-find components to meet their specific needs.

With the principle of “Quality Parts,Customers Priority,Honest Operation,and Considerate Service”,our business mainly focus on the distribution of electronic components. Line cards we deal with include Microchip,ALPS,ROHM,Xilinx,Pulse,ON,Everlight and Freescale. Main products comprise IC,Modules,Potentiometer,IC Socket,Relay,Connector.Our parts cover such applications as commercial,industrial, and automotives areas.

We are looking forward to setting up business relationship with you and hope to provide you with the best service and solution. Let us make a better world for our industry!



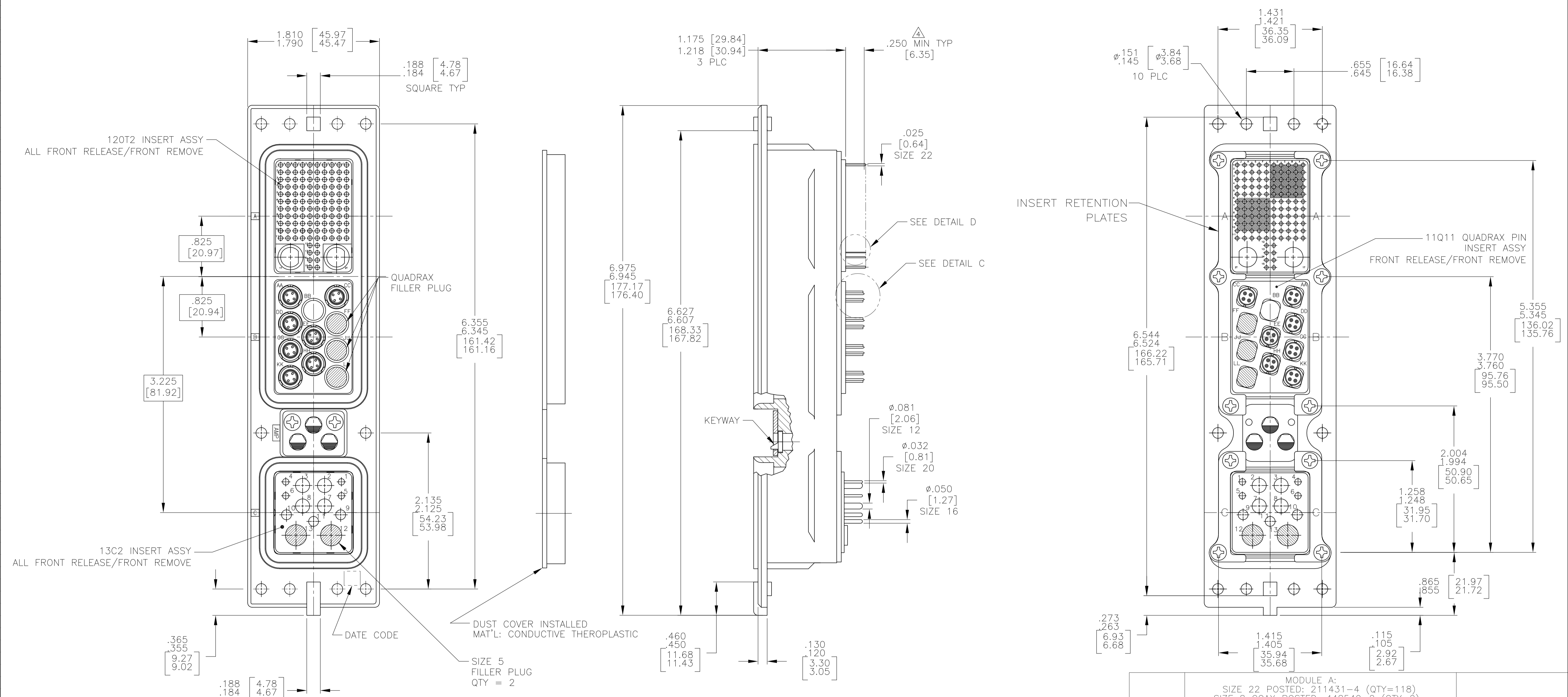
Contact us

Tel: +86-755-8981 8866 Fax: +86-755-8427 6832

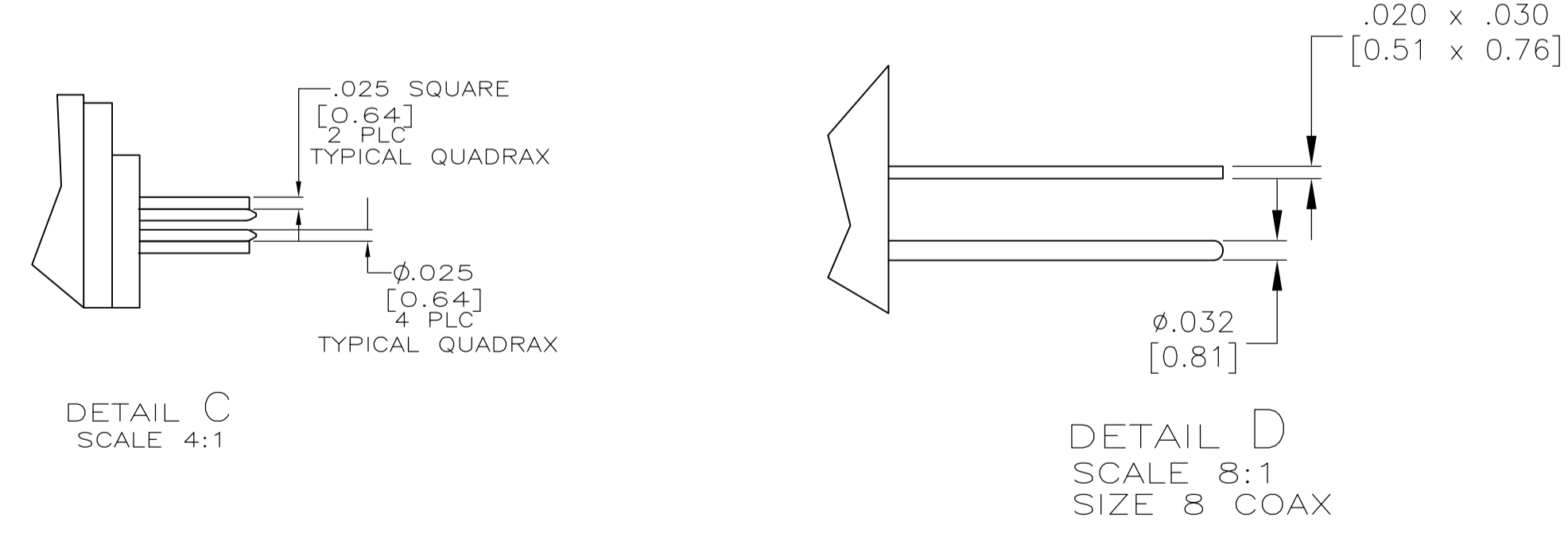
Email & Skype: info@chipsmall.com Web: www.chipsmall.com

Address: A1208, Overseas Decoration Building, #122 Zhenhua RD., Futian, Shenzhen, China





1757184-2
SHOWN



COMPONENT	MATERIAL	FINISH
SHELL	DIE CAST ALUMINUM PER ASTM-B-85	ELECTROLESS NICKEL PER MIL-C-26074, CLASS 3 OR 4, GRADE B
RETENTION PLATES	ALUMINUM ALLOY PER ASTM-B-209	ELECTROLESS NICKEL PER MIL-C-26074, CLASS 3 OR 4, GRADE B
SCREWS AND LOCKWASHERS	STEEL OR STAINLESS STEEL	CHROMATE OVER ZINC OR PASSIVATED
KEYWAY	ZINC ALLOY PER ASTM-B-86	-
120T2 INSERT 13C2 INSERT	THERMOSET	-
KEYWAY RETAINING PLATE	ALUMINUM ALLOY PER ASTM-B-209	BLUE ANODIZED PER MIL-A-8625
QUADRAX INSERT	ALUMINUM ALLOY PER ASTM-B-209	ELECTROLESS NICKEL PER MIL-C-26074, CLASS 3 OR 4, GRADE B
QUADRAX FILLER PLUG	ALUMINUM ALLOY PER ASTM-B-211	ELECTROLESS NICKEL PER MIL-C-26074,
SIZE 5 FILLER PLUG	TEFLON	-

01	<p>MODULE A: SIZE 22 POSTED: 211431-4 (QTY=118) SIZE 8 COAX POSTED: 448540-2 (QTY=2)</p> <p>MODULE B: SIZE 8 QUADRAX: 1445626-4 (QTY=7) IN CAVITIES AA,CC,DD,EE,GG,HH,KK SIZE 8 QUADRAX FILLER PLUG: 1663983-1 (QTY=4) IN CAVITIES BB,FF,JJ,LL</p> <p>MODULE C: SIZE 16: 1-448139-4 (QTY=3) SIZE 20: 1-448138-2 (QTY=4) SIZE 12: 1-448140-8 (QTY=4)</p>	1757184-2
01	<p>MODULE A: SIZE 22 POSTED: 211431-4 (QTY=118) SIZE 8 COAX POSTED: 448540-2 (QTY=2)</p> <p>MODULE B: SIZE 8 QUADRAX: 1445626-4 (QTY=7) IN CAVITIES AA,CC,DD,EE,GG,HH,KK SIZE 8 QUADRAX FILLER PLUG: 1663983-1 (QTY=3) IN CAVITIES FF,JJ,LL CAVITY REDUCER TO ACCEPT ARINC 801 CONTACT: TBD (QTY=1) IN CAVITY BB</p> <p>MODULE C: SIZE 16: 1-448139-4 (QTY=3) SIZE 20: 1-448138-2 (QTY=4) SIZE 12: 1-448140-8 (QTY=4)</p>	1757184-1
KEYING POSITION	CONTACTS INCLUDED AND INSTALLED	PART NUMBER

- CONNECTOR DIMENSIONS ARE PER ARINC 600 SPECIFICATION UNLESS OTHERWISE SPECIFIED.
- CONNECTOR IS SUPPLIED WITH CONTACTS (PER TABLE) ASSEMBLED AS SHOWN.
- KEYING SHOWN IN POSITION "01" FOR ILLUSTRATION ONLY. CONNECTORS SHIPPED WITH KEYING INSTALLED IN POSITION PER TABLE.
- WITH CONTACT FULLY SEATED TO REAR OF CAVITY.
- CONTACTS NOT SHOWN IN MODULE A & C FRONT AND REAR VIEWS FOR CLARITY.
- LuxCis IS A TRADEMARK OF RADIALL.

THIS DRAWING IS A CONTROLLED DOCUMENT.

DTN: C.C.THOMAS 7-7-04
CHK: K.HOGAN 7-7-04
APVD: S.GLATFELTER 7-7-04

TE Connectivity

RCPT ASSY, SIZE 2, ARINC 600 (120T2/11Q11/13C2)

SIZE: A1
CAGE CODE: 00779
DRAWING NO: 1757184

SCALE: 1:1 SHEET: 1 OF 1 REV: C