



Chipsmall Limited consists of a professional team with an average of over 10 year of expertise in the distribution of electronic components. Based in Hongkong, we have already established firm and mutual-benefit business relationships with customers from,Europe,America and south Asia,supplying obsolete and hard-to-find components to meet their specific needs.

With the principle of “Quality Parts,Customers Priority,Honest Operation,and Considerate Service”,our business mainly focus on the distribution of electronic components. Line cards we deal with include Microchip,ALPS,ROHM,Xilinx,Pulse,ON,Everlight and Freescale. Main products comprise IC,Modules,Potentiometer,IC Socket,Relay,Connector.Our parts cover such applications as commercial,industrial, and automotives areas.

We are looking forward to setting up business relationship with you and hope to provide you with the best service and solution. Let us make a better world for our industry!



## Contact us

Tel: +86-755-8981 8866 Fax: +86-755-8427 6832

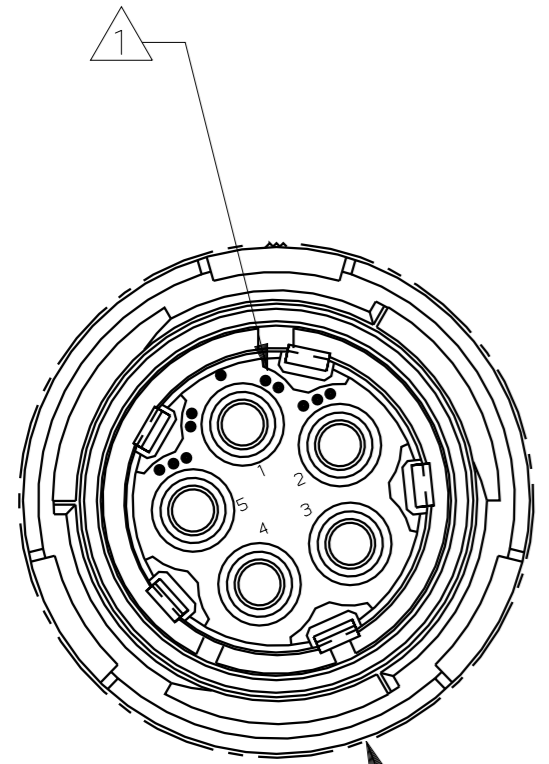
Email & Skype: info@chipsmall.com Web: www.chipsmall.com

Address: A1208, Overseas Decoration Building, #122 Zhenhua RD., Futian, Shenzhen, China

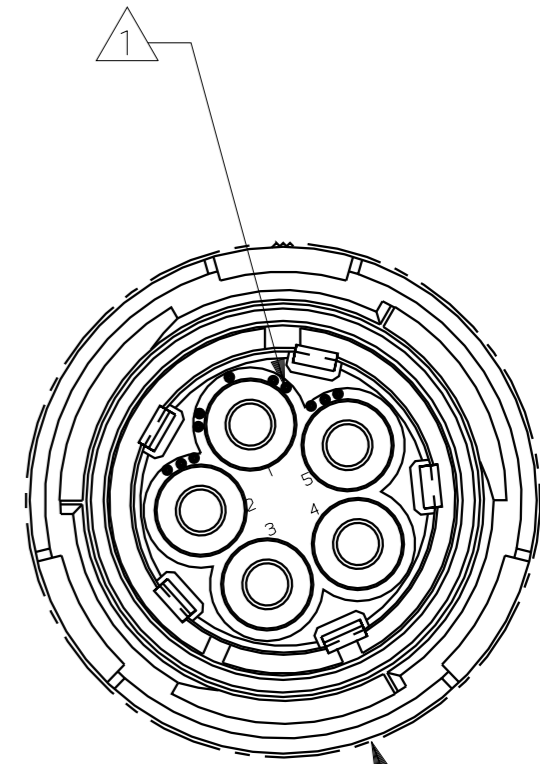
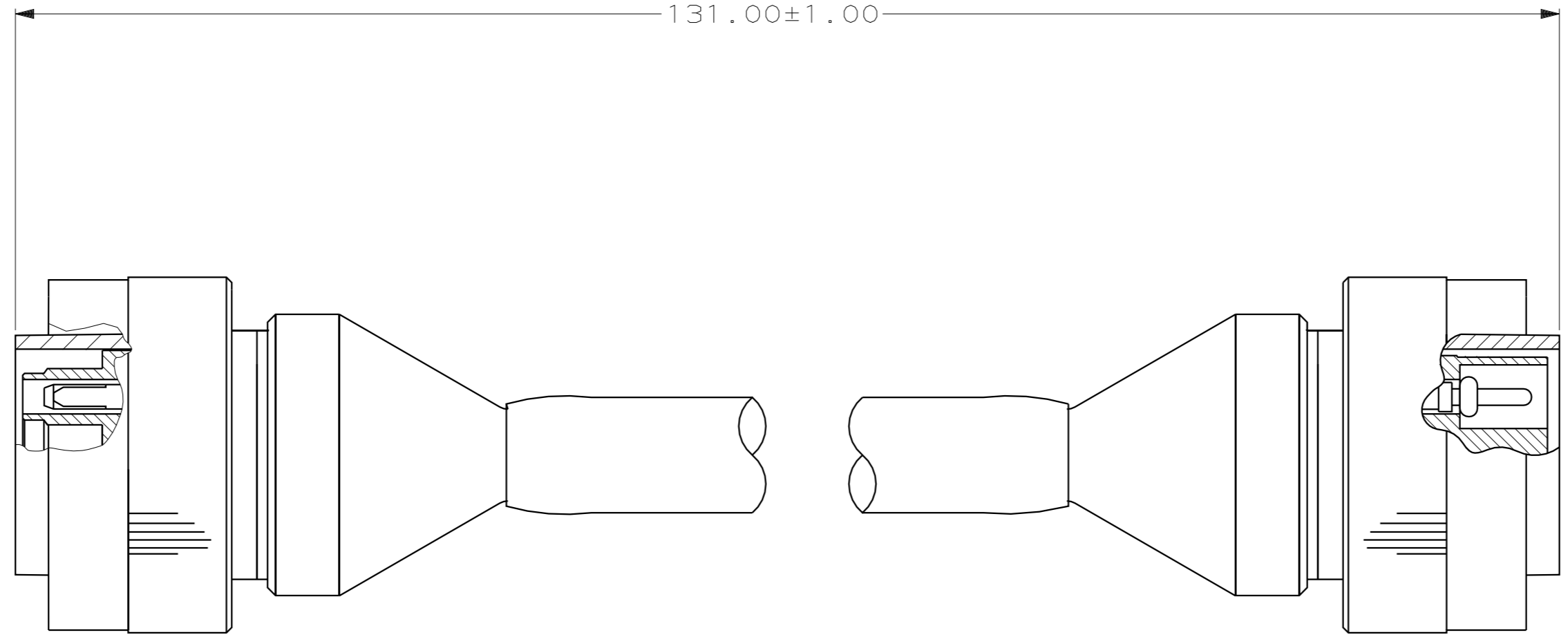


THIS DRAWING IS UNPUBLISHED. RELEASED FOR PUBLICATION  
 BY AMP INCORPORATED. ALL RIGHTS RESERVED.

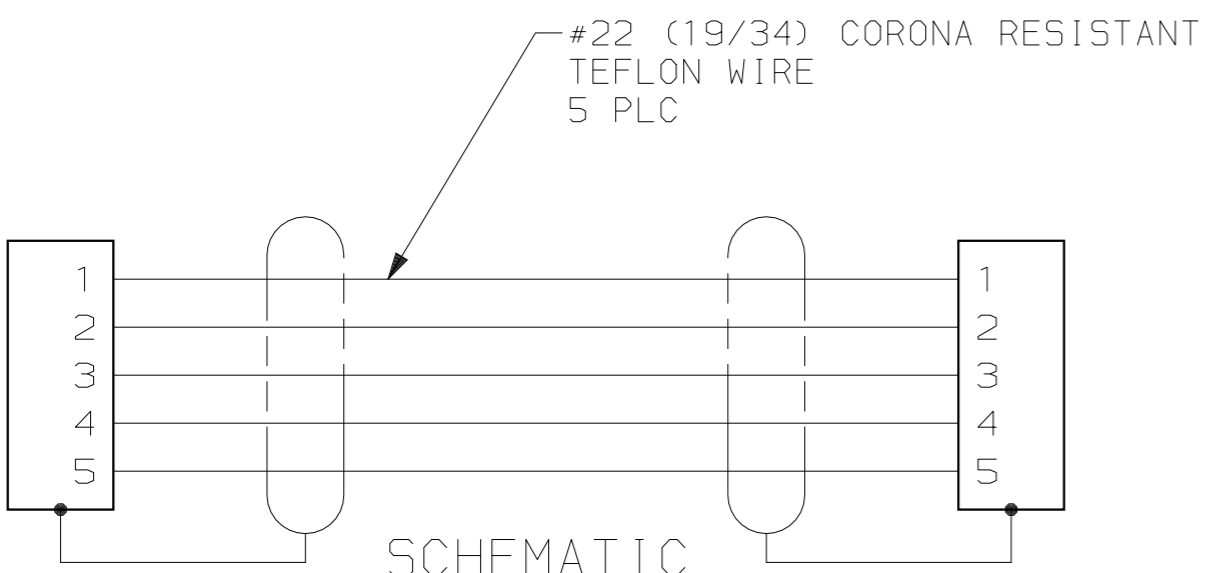
LOC	DIST	REVISIONS			
P	LTR	DESCRIPTION	DATE	DWN	APVD
DF	SO	B	REV PER 0H14-0575-04	8-25-04	CT DE



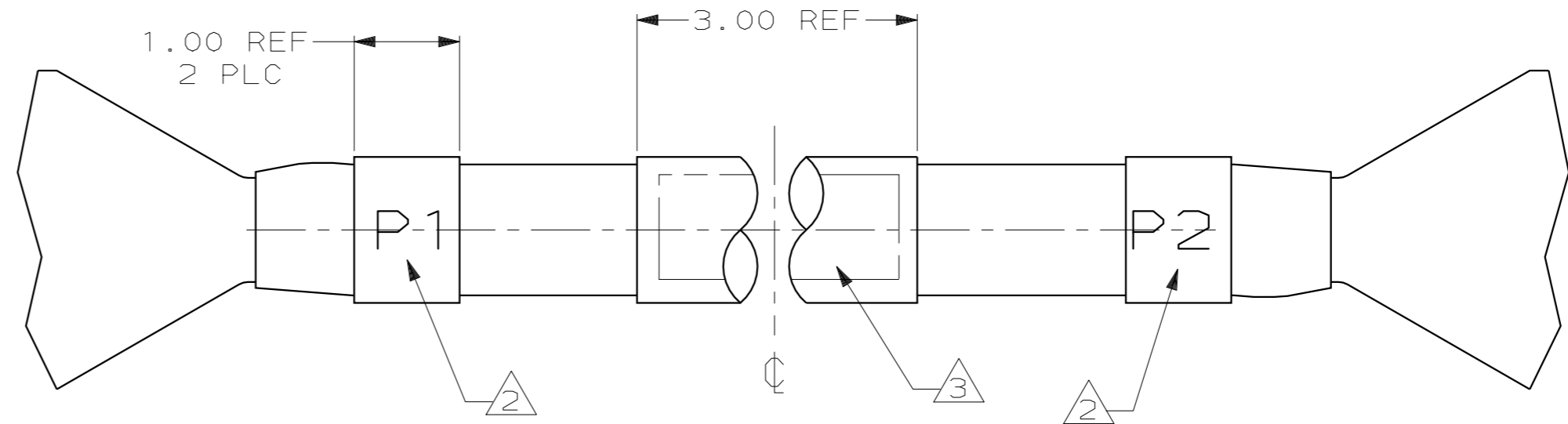
REF PLUG KIT  
 TYCO PART NO. 864065-1



REF PLUG KIT  
 TYCO PART NO. 864063-1



SCHEMATIC



MARKING DETAIL

- ① DOUBLE DOT POLARIZATION.
- ② P1 & P2 MARKED IN THESE AREAS
- ③ TYCO INFORMATION AND CUSTOMER INFORMATION (PER TABLE) MARKED IN THIS AREA.

09062-A4A0463-1 REV. __ - 00779	1757231-1
CUSTOMER MARKING ③	PART NO.

THIS DRAWING IS A CONTROLLED DOCUMENT.		DWN C.C. THOMAS 7-26-04	<b>tyco</b> Electronics	TYCO Electronics Harrisburg, PA 17105-3608	AMP
DIMENSIONS: INCHES		CHK D.EABY 7-26-04			
TOLERANCES UNLESS OTHERWISE SPECIFIED:		APVD D.EABY 7-26-04	NAME LGH CABLE ASSY, 5 POSN., DBL ENDED, PLUG TO PLUG		
0 PLC ±	1 PLC ±	PRODUCT SPEC -	SIZE A2	CAGE CODE 00779	DRAWING NO 1757231
2 PLC ±	3 PLC ±	APPLICATION SPEC -	RESTRICTED TO -		
4 PLC ±	ANGLES ±	WEIGHT -	SCALE 2:1	SHEET 1 OF 1	REV B
MATERIAL -	FINISH -	CUSTOMER DRAWING			