



Chipsmall Limited consists of a professional team with an average of over 10 year of expertise in the distribution of electronic components. Based in Hongkong, we have already established firm and mutual-benefit business relationships with customers from,Europe,America and south Asia,supplying obsolete and hard-to-find components to meet their specific needs.

With the principle of “Quality Parts,Customers Priority,Honest Operation,and Considerate Service”,our business mainly focus on the distribution of electronic components. Line cards we deal with include Microchip,ALPS,ROHM,Xilinx,Pulse,ON,Everlight and Freescale. Main products comprise IC,Modules,Potentiometer,IC Socket,Relay,Connector.Our parts cover such applications as commercial,industrial, and automotives areas.

We are looking forward to setting up business relationship with you and hope to provide you with the best service and solution. Let us make a better world for our industry!



Contact us

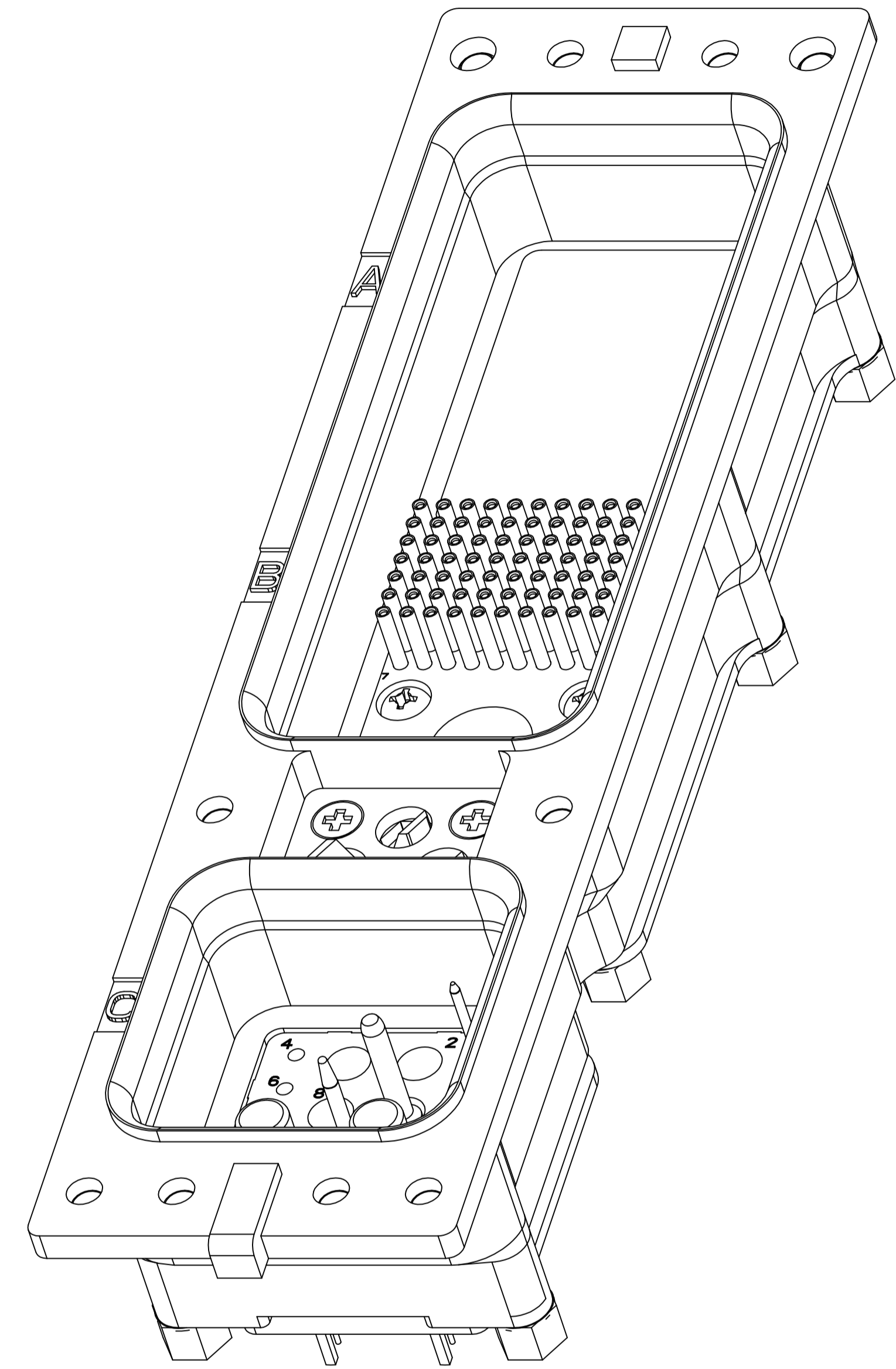
Tel: +86-755-8981 8866 Fax: +86-755-8427 6832

Email & Skype: info@chipsmall.com Web: www.chipsmall.com

Address: A1208, Overseas Decoration Building, #122 Zhenhua RD., Futian, Shenzhen, China



REVISIONS					
P	LTR	DESCRIPTION	DATE	DMN	APVD
F		REV PER ECO 16-007766	6-7-16	CT	EO



- CONNECTOR DIMENSIONS ARE PER ARINC 600 SPECIFICATION.
 - CONNECTOR IS SUPPLIED WITH A DUST COVER INSTALLED; NOT SHOWN.
 - KEYING SHOWN IN POSITION FOR ILLUSTRATION ONLY. CONNECTORS SHIPPED WITH KEYING INSTALLED IN POSITION PER TABLE. FOR POSITION "00" KEYING HARDWARE SHIPPED UNASSEMBLED.
 - ALL CONTACTS (EXCEPT SIZE 5) NOT SHOWN IN FRONT AND REAR VIEWS FOR CLARITY.
- 5 DIMENSION TO CONTACT POST IS WITH CONTACTS FULLY SEATED TO REAR OF CONTACT CAVITIES.
- 6 THE FOLLOWING CONTACTS AND FILLER PLUGS ARE LOADED IN THIS CONNECTOR:
 MODULE A:
 NONE
 MODULE B:
 P/N 211431-4 (SIZE 22 POSTED SOCKET CONTACT; QTY = 70)
 MODULE C:
 P/N 1663129-8 (SIZE 12 POSTED CONTACT; QTY = 1) POSITION 7.
 P/N 1663535-1 (POSTED SIZE 5 PIN COAX; QTY = 2) POSITIONS 12 & 13.
 P/N 1-1663128-0 (SIZE 16 POSTED; QTY = 1) POSITION 11.
 P/N 1663533-5 (SIZE 20 POSTED; QTY = 1) POSITION 1.
 P/N 1663767-6 (SIZE 20 FILLER PLUG; QTY = 3) POSITIONS 4, 5 & 6.
 P/N 1663767-7 (SIZE 16 FILLER PLUG; QTY = 2) POSITIONS 9, & 10.
 P/N 1663767-8 (SIZE 12 FILLER PLUG; QTY = 3) POSITION 2, 3 & 8.
- 7 HARDWARE FOR SIZE 1 CONTACTS INCLUDES RETAINER PLATE, P/N 1757721-1, QTY = 1 AND SCREWS, P/N 211558-1, QTY = 4. HARDWARE IS SHOWN ASSEMBLED BUT SHIPPED UNASSEMBLED.

COMPONENT	MATERIAL	FINISH
SHELL	ALUMINUM ALLOY A380 PER ASTM-B-85	ELECTROLESS NICKEL PER MIL-C-26074
RETENTION PLATES	ALUMINUM ALLOY PER ASTM-B-209	ELECTROLESS NICKEL PER MIL-C-26074
PAN HEAD SCREWS AND LOCKWASHERS	STAINLESS STEEL	PASSIVATED
FLAT HEAD SCREWS (FOR KEYING HARDWARE)	STAINLESS STEEL	PASSIVATED
POLARIZING KEYS	ZINC ALLOY PER ASTM-B-86	-
POLARIZING KEY RETAINING PLATE	ALUMINUM ALLOY PER ASTM-B-209	BLUE ANODIZED PER MIL-A-8625
DUMMY INSERT	TEFLON	-
71C1 & 13C2 INSERTS	THERMOSET OR THERMOPLASTIC PPS PER MIL-M-24519	-
SIZE 1 RETAINING PLATE	ALUMINUM ALLOY PER ASTM-B-209	ELECTROLESS NICKEL PER MIL-C-26074
STANDOFF	STAINLESS STEEL	PASSIVATED

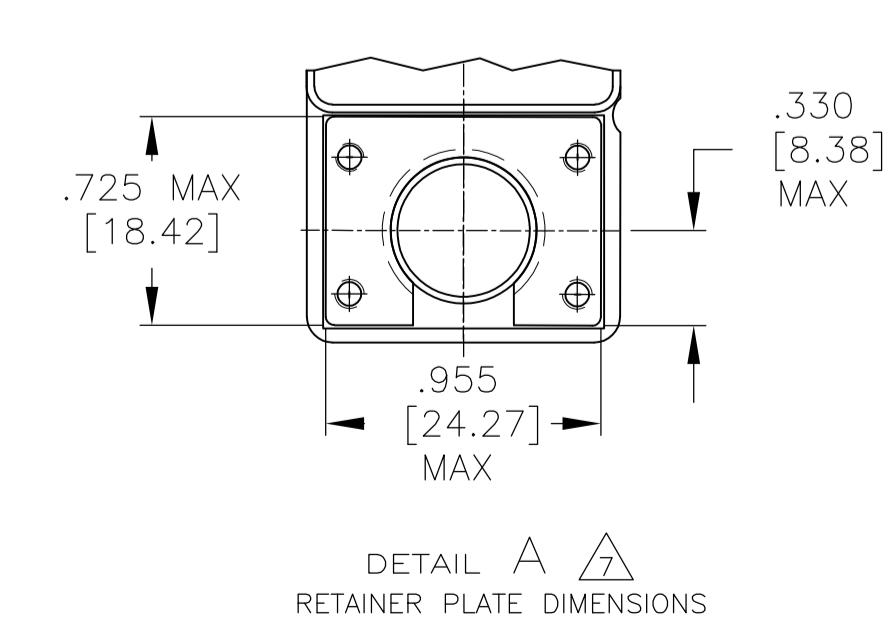
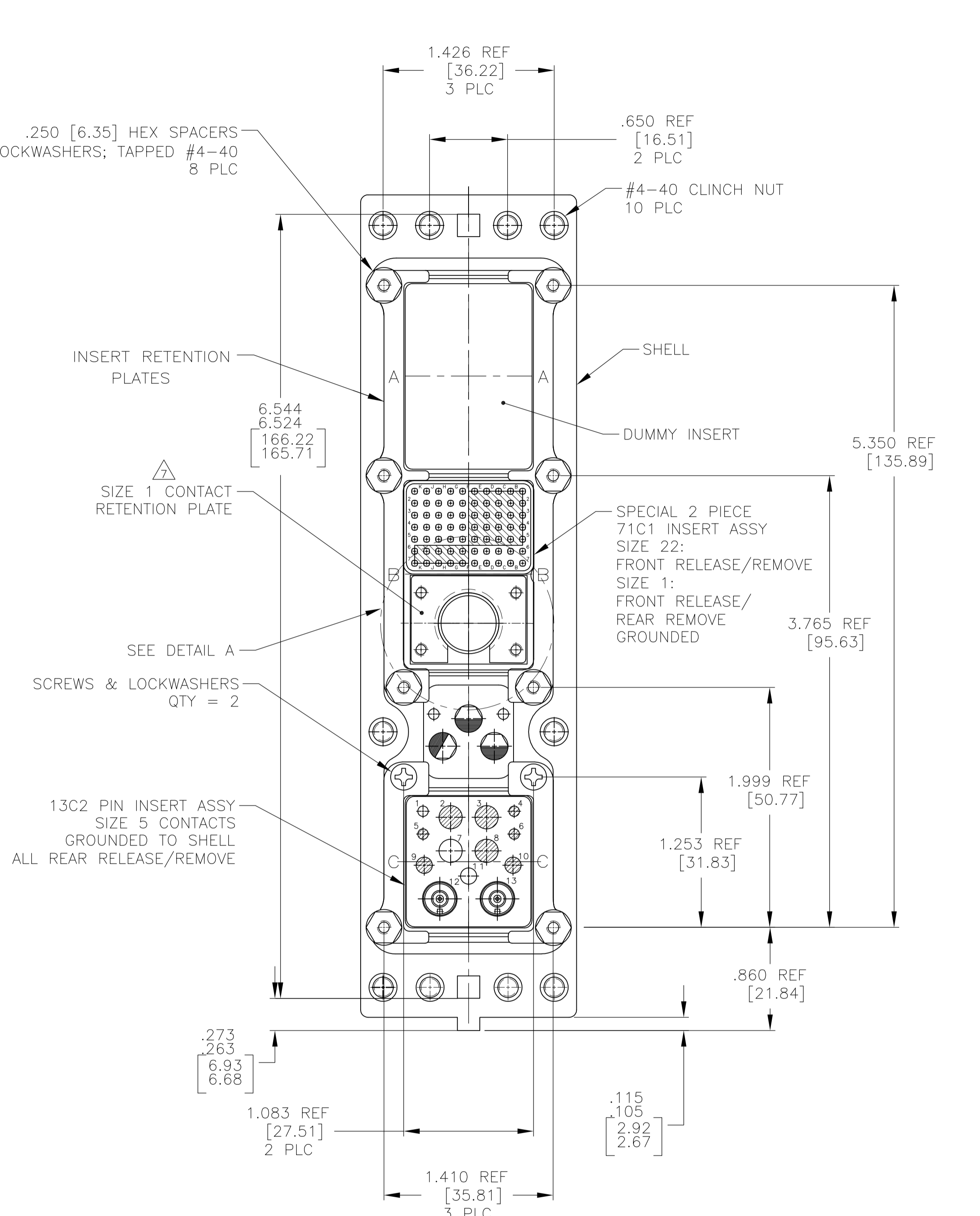
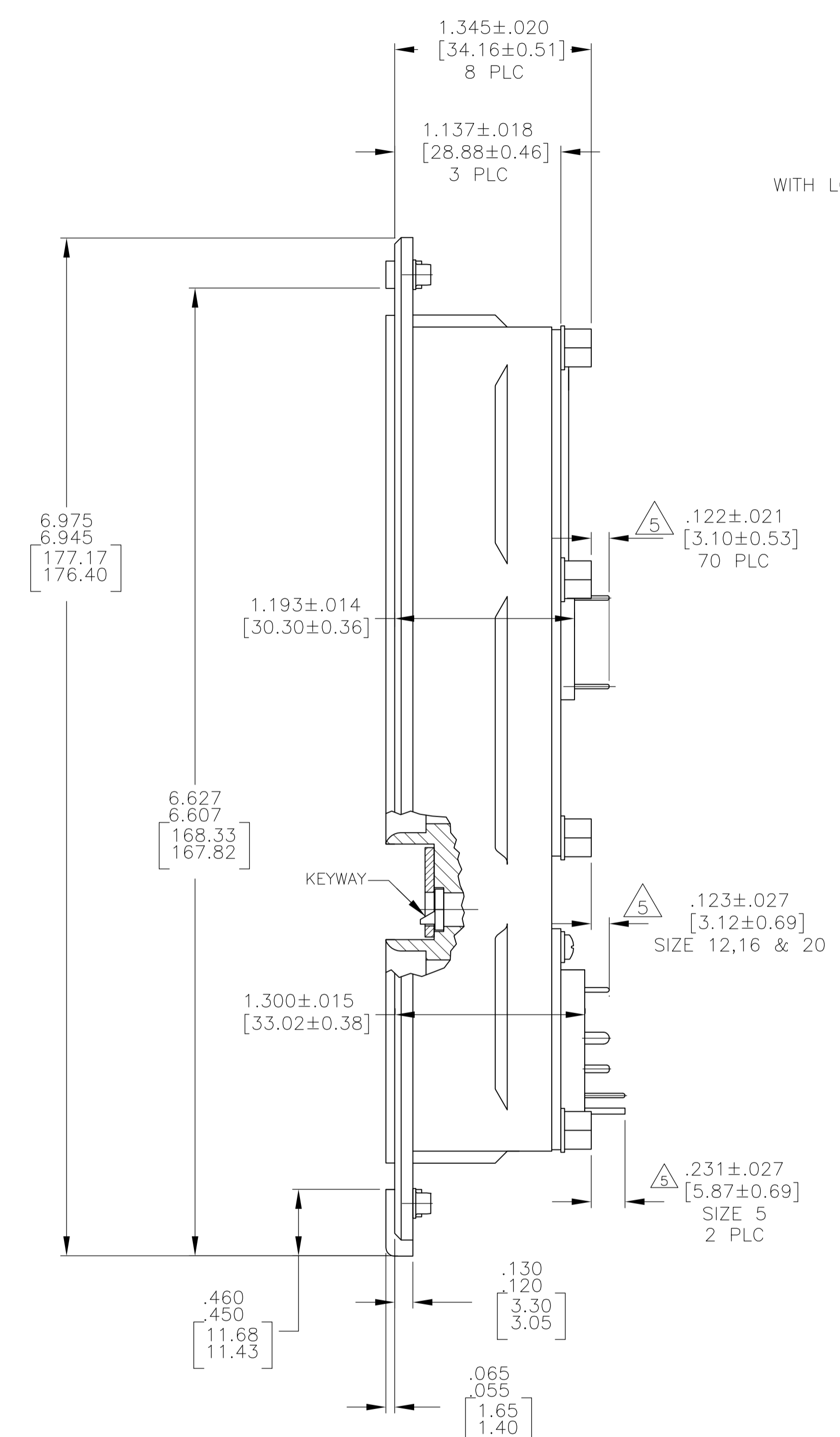
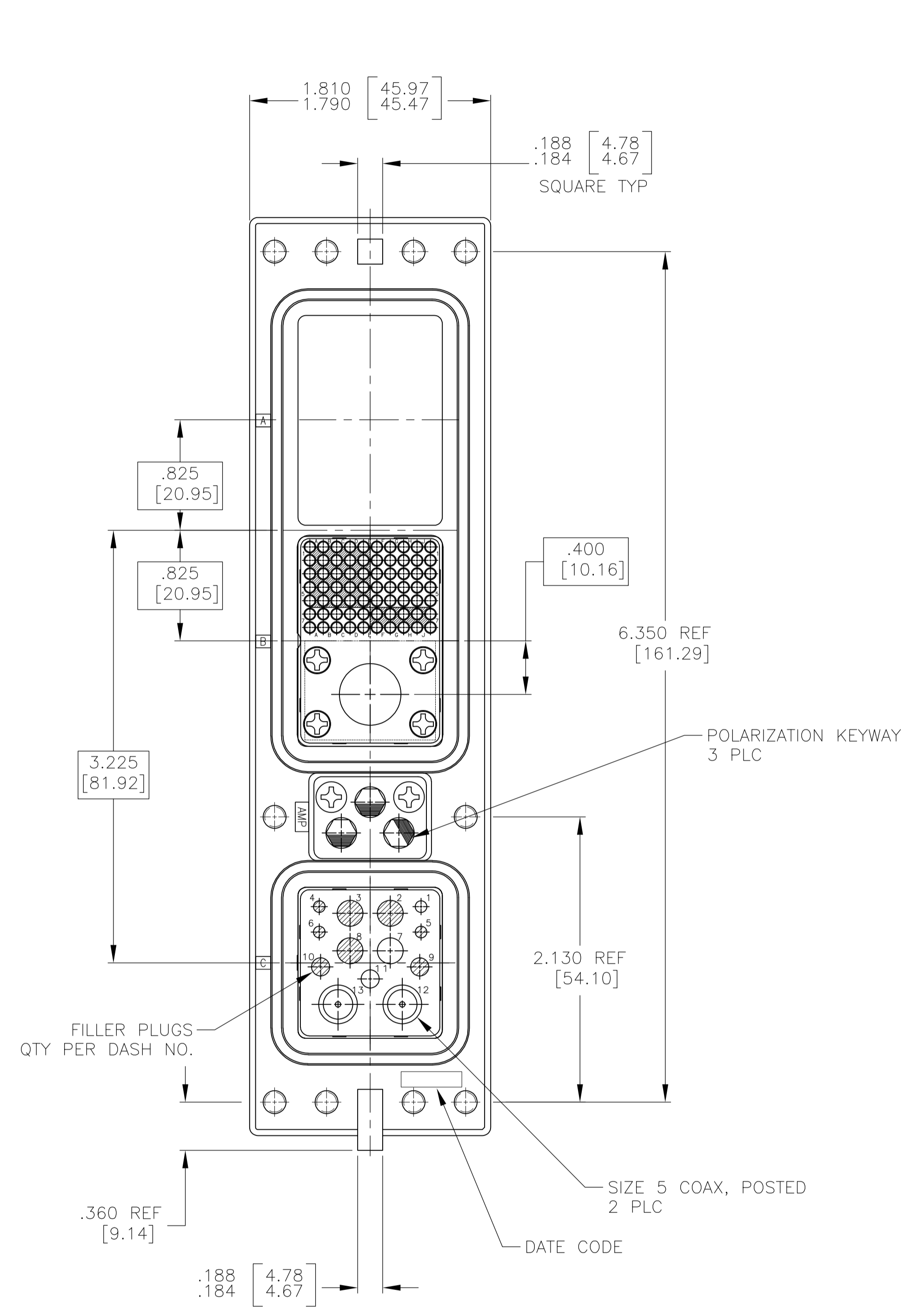
03	6	1757322-1
KEYING POSITION	CONTACTS INCLUDED AND INSTALLED	PART NUMBER

THIS DRAWING IS A CONTROLLED DOCUMENT.

DIMENSIONS: INCHES [mm]	TOLERANCES UNLESS OTHERWISE SPECIFIED:	DIN C.C.THOMAS 9-6-04	APVD K.HOGAN 9-6-04	NAME RCPT ASSY, SIZE 2, ARINC 600 (BLANK/71C1/13C2)
0. PLC ± -	1. PLC ± -	2. PLC ± -	3. PLC ± -	4. PLC ± -
ANGLES ± -				
MATERIAL SEE TABLE	FINISH SEE TABLE	WEIGHT 0	SIZE A1	CAGE CODE 00779
			DRAWING NO. 1757322	RESTRICTED TO CUSTOMER DRAWING

SCALE 3:2 SHEET 1 OF 2 REV F

REVISIONS				
P	LTR	DESCRIPTION	DATE	APP'D
-	-	SEE SHEET 1	-	-



THIS DRAWING IS A CONTROLLED DOCUMENT.		DIN C.C.THOMAS 9-6-04	TE Connectivity	
DIMENSIONS: INCHES [mm]		CHK K.HOGAN 9-6-04		
TOLERANCES UNLESS OTHERWISE SPECIFIED:		APP'D K.HOGAN 9-6-04	NAME RCPT ASSY, SIZE 2, ARINC 600 (BLANK/71C1/13C2)	
0 PLC ± -	1 PLC ± -	PRODUCT SPEC	APPLICATION SPEC	
2 PLC ± -	3 PLC ± .005 [0.13]	SIZE	CAGE CODE	DRAWING NO.
4 PLC ± -	ANGLES ± -	RESTRICTED TO	SCALE 3:2	SHEET 2 OF 2
MATERIAL SEE TABLE	FINISH SEE TABLE	WEIGHT	A1 00779 ©=1757322	
CUSTOMER DRAWING		REV F		