



Chipsmall Limited consists of a professional team with an average of over 10 year of expertise in the distribution of electronic components. Based in Hongkong, we have already established firm and mutual-benefit business relationships with customers from,Europe,America and south Asia,supplying obsolete and hard-to-find components to meet their specific needs.

With the principle of "Quality Parts,Customers Priority,Honest Operation,and Considerate Service",our business mainly focus on the distribution of electronic components. Line cards we deal with include Microchip,ALPS,ROHM,Xilinx,Pulse,ON,Everlight and Freescale. Main products comprise IC,Modules,Potentiometer,IC Socket,Relay,Connector.Our parts cover such applications as commercial,industrial, and automotives areas.

We are looking forward to setting up business relationship with you and hope to provide you with the best service and solution. Let us make a better world for our industry!



## Contact us

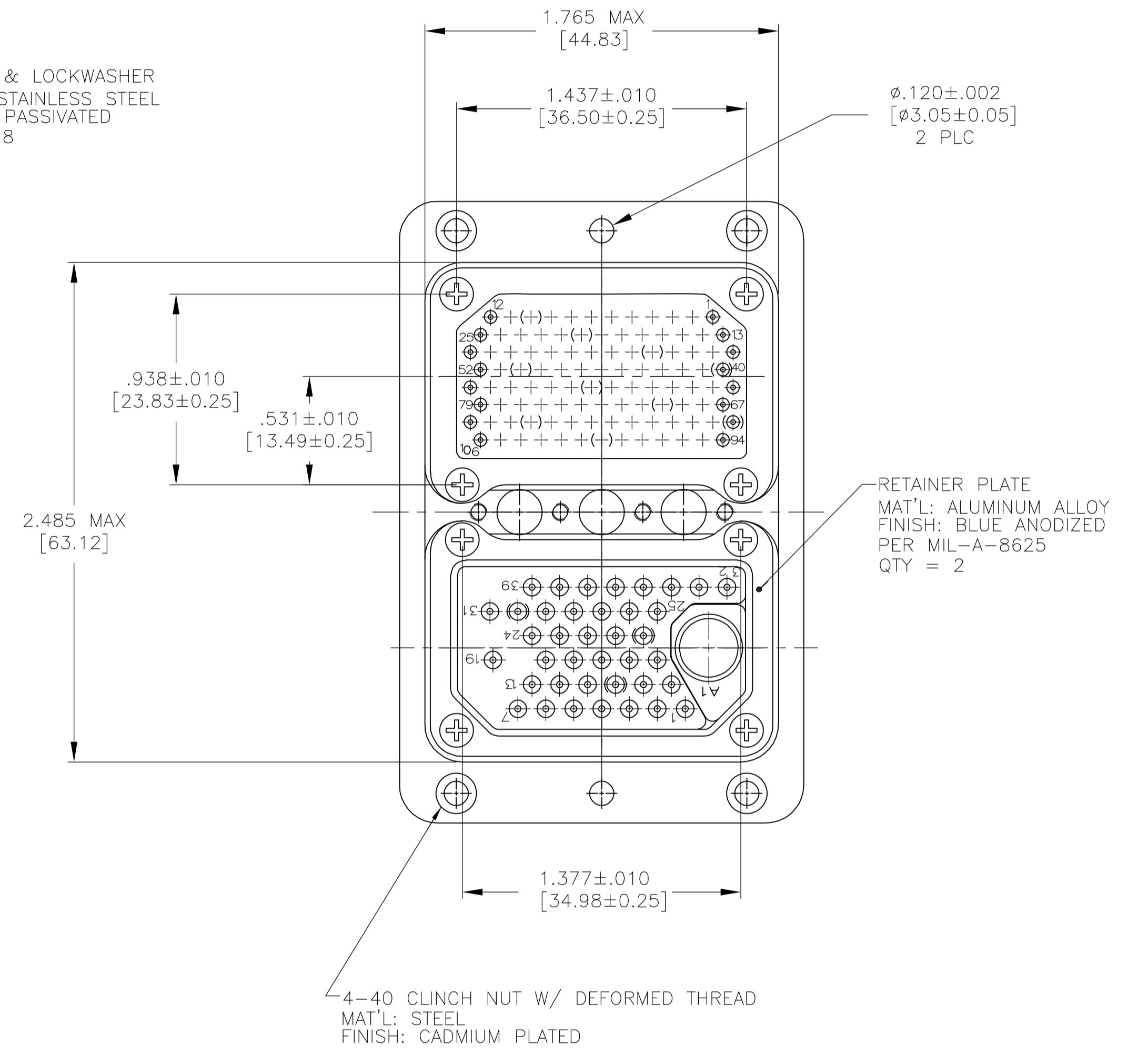
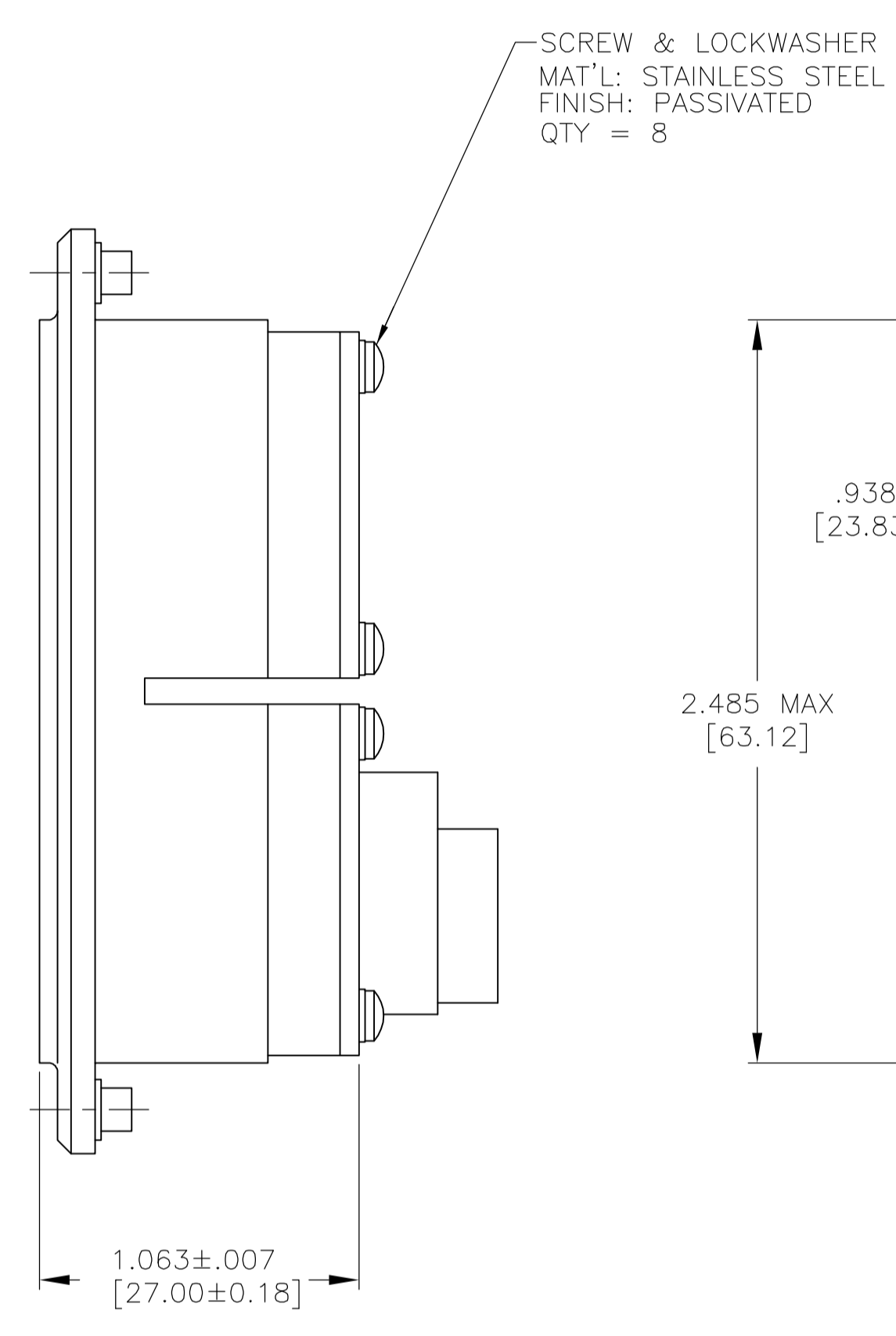
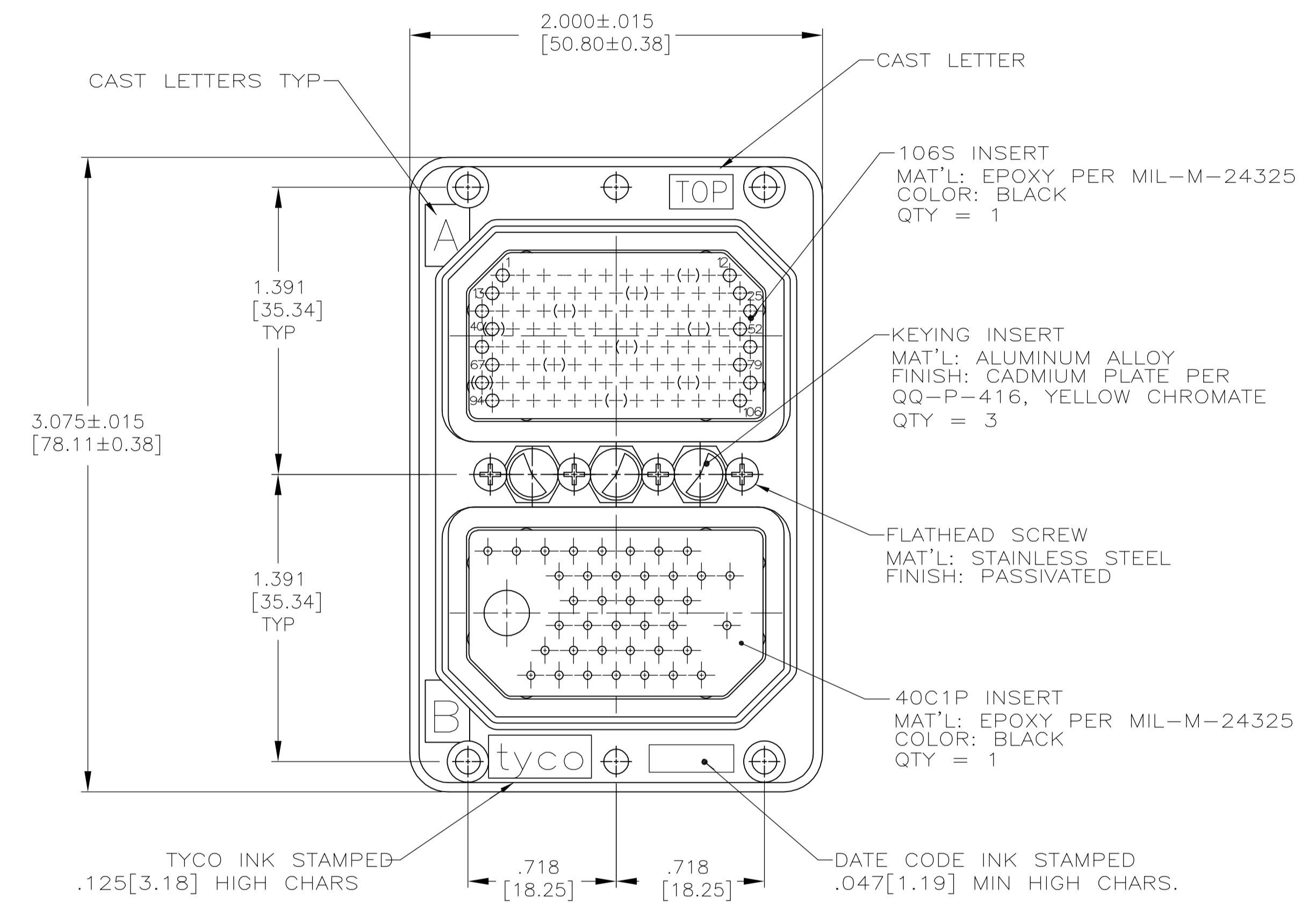
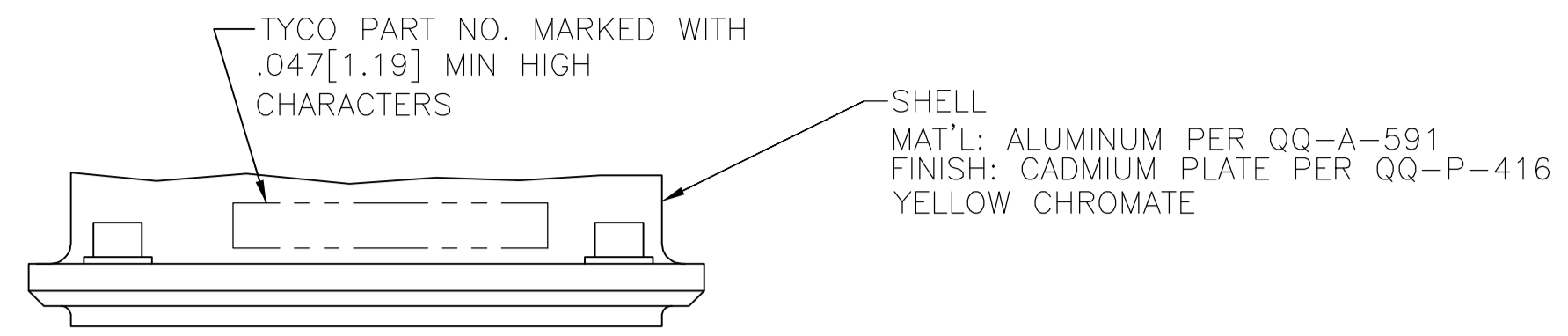
Tel: +86-755-8981 8866 Fax: +86-755-8427 6832

Email & Skype: info@chipsmall.com Web: www.chipsmall.com

Address: A1208, Overseas Decoration Building, #122 Zhenhua RD., Futian, Shenzhen, China



LOC		DIST		REVISIONS			
DF	AO	REV	PER	ECO	DATE	BY	APP'D
A		REV PER ECO	06-14919		6-23-06	CT	DE



4-40 CLINCH NUT W/ DEFORMED THREAD  
 MAT'L: STEEL  
 FINISH: CADMIUM PLATED

- CONTACTS ARE SHIPPED UNASSEMBLED WITH CONNECTOR.
- KEYING INSTALLED IN POSITION "44".

1757337-1  
 PART NUMBER

THIS DRAWING IS A CONTROLLED DOCUMENT.		DWG C.C.THOMAS	18JAN05	 Tyco Electronics Corporation Harrisburg, Pa 17105-3608
DIMENSIONS: INCHES [mm]		CHK LARRY OH	1-18-05	
TOLERANCES UNLESS OTHERWISE SPECIFIED:		APVD LARRY OH	1-18-05	NAME RECEPTACLE ASSEMBLY, ARINC 404 RM2R106S40C1P-0144 (200)
0 PLC ± -	1 PLC ± -	PRODUCT SPEC		APPLICATION SPEC
2 PLC ± -	3 PLC ± -	ANGLE		RESTRICTED TO
4 PLC ± -	FINISH SEE CALLOUTS	WEIGHT		SCALE 2:1 SHEET 1 OF 1 REV A
MATERIAL SEE CALLOUTS	FINISH SEE CALLOUTS	CUSTOMER DRAWING	SIZE A1	CAGE CODE 00779
			DRAWING NO 1757337	