



Chipsmall Limited consists of a professional team with an average of over 10 year of expertise in the distribution of electronic components. Based in Hongkong, we have already established firm and mutual-benefit business relationships with customers from,Europe,America and south Asia,supplying obsolete and hard-to-find components to meet their specific needs.

With the principle of “Quality Parts,Customers Priority,Honest Operation,and Considerate Service”,our business mainly focus on the distribution of electronic components. Line cards we deal with include Microchip,ALPS,ROHM,Xilinx,Pulse,ON,Everlight and Freescale. Main products comprise IC,Modules,Potentiometer,IC Socket,Relay,Connector.Our parts cover such applications as commercial,industrial, and automotives areas.

We are looking forward to setting up business relationship with you and hope to provide you with the best service and solution. Let us make a better world for our industry!



Contact us

Tel: +86-755-8981 8866 Fax: +86-755-8427 6832

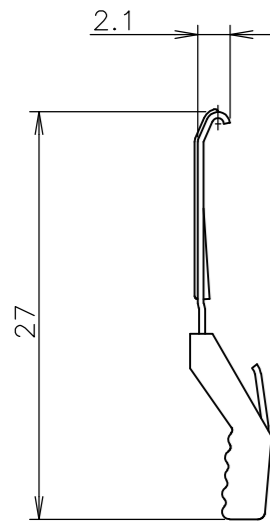
Email & Skype: info@chipsmall.com Web: www.chipsmall.com

Address: A1208, Overseas Decoration Building, #122 Zhenhua RD., Futian, Shenzhen, China

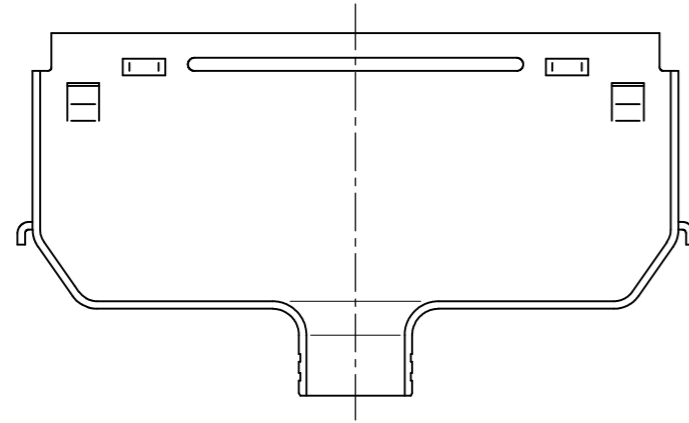


THIS DRAWING IS UNPUBLISHED. RELEASED FOR PUBLICATION JUN , 1989.
 © COPYRIGHT 1989 BY TYCO ELECTRONICS CORPORATION. ALL RIGHTS RESERVED.

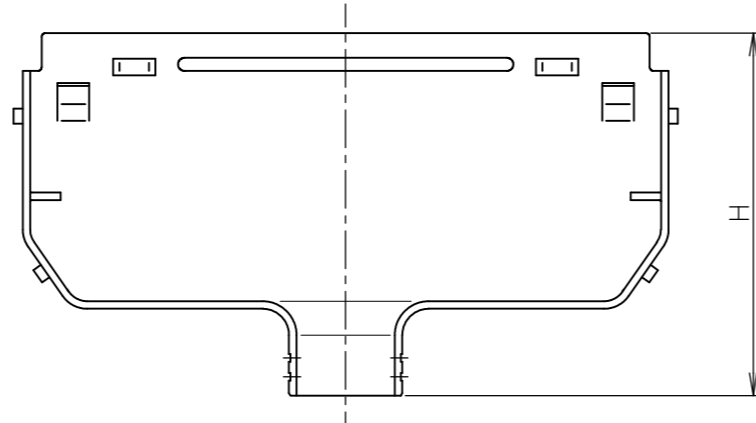
LOC		DIST		REVISONS			DATE	DWN	APVD
J				P	LTR	DESCRIPTION			
				K		REVISED ECR-08-009497	15APR08	A.Z.	S.Y.



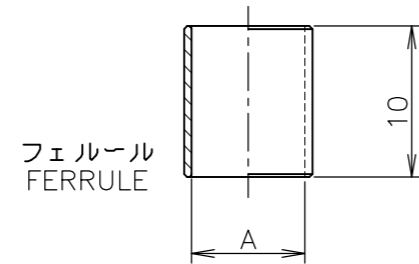
ロックングスプリング
LOCKING SPRING
(2 EACH/SET)



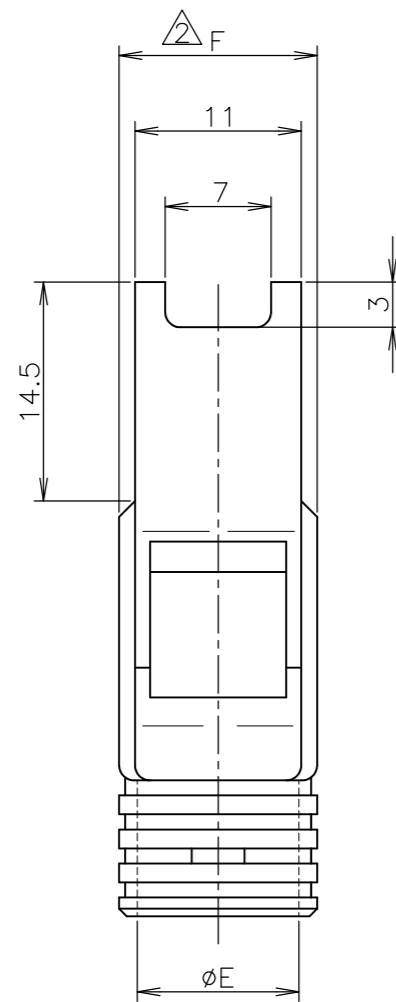
プラグ・リアー・シェル (アッパー)
PLUG REAR SHELL (UPPER)



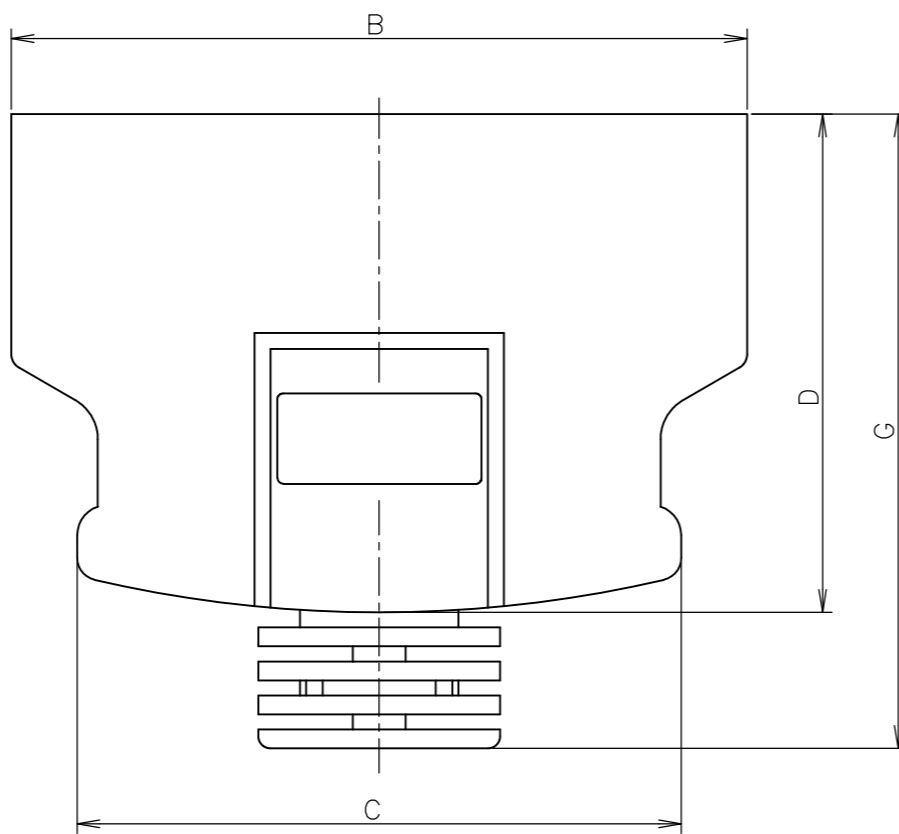
プラグ・リアー・シェル (ボトム)
PLUG REAR SHELL (BOTTOM)



フェルルール
FERRULE



エンクロージャ
ENCLOSURE



- 1 材料及び表面仕上げ
 * エンクロージャ及びスプリングカバー
 ; 熱可塑性樹脂 UL 94V-0
 色; 注記③参照
 * リアースhell (アッパー、ボトム)
 ; 黄銅, Niめっき
 * ロックング スプリング; ステンレス スチール
 * フェルルール; 銅, 錫めっき
 ② 本寸法は 68極、80極及び 100極に適用する。

- 1 MATERIAL AND FINISH
 * ENCLOSURE AND SPRING COVER
 THERMOPLASTIC, UL 94V-0, COLOR; SEE NOTE ③
 * REAR SHELL (UPPER & BOTTOM);
 MAT'L; BRASS
 FINISH; Ni. PL. OVER COPPER PL.
 * LOCKING SPRING; STAINLESS STEEL
 * FERRULE; MAT'L; COPPER
 FINISH; TIN PL.
 ② THIS DIMENSION IS APPLIED TO 68 POS. 80 POS.
 AND 100POS.

③ 色(COLOR)

OBSOLETE	-80	1-175753-0	3-175753-0		5-175753-0	7-175753-0		
OBSOLETE	-100	175753-9	2-175753-9		4-175753-9	6-175753-9		
OBSOLETE	-68	175753-8	2-175753-8		4-175753-8	6-175753-8		
OBSOLETE	-50	175753-7	2-175753-7		4-175753-7	6-175753-7		
OBSOLETE	-36	175753-5	2-175753-5	3-175753-5	4-175753-5	6-175753-5		
OBSOLETE	-26	175753-4	2-175753-4		4-175753-4	6-175753-4		
OBSOLETE	-20	175753-2	2-175753-2		4-175753-2	6-175753-2	7-175753-2	
OBSOLETE	-14	175753-1	2-175753-1		4-175753-1	6-175753-1		
	POS.	BEIGE WHITE	BLACK	MISTY WHITE	LIGHT GRAY	DARK GRAY	BLACKISH GRAY	

但し ブラック、ライトグレー、ダークグレーの寸法は
 ホワイトベージュと同じ。
 BLACK, LIGHT GRAY, AND DARK GRAY'S DIMENSIONS ARE SAME AS
 BEIGE WHITE'S ONE.

OBSOLETE	-9.8	67.8	59.1	35	9.8	11.8	45	27	9.10~9.60	80	1-175753-0
OBSOLETE	-10.5	80.5	71.8	32	11.2	13.5	42	24	9.75~10.50	100	175753-9
OBSOLETE	-9.3	60.1	51.4	32	9.1	12.0	42	24	8.55~9.05	68	175753-8
OBSOLETE	-8.5	48.7	40.0	32	8.7	*	42	24	7.85~8.35	50	175753-7
OBSOLETE	-8.0	39.8	31.1	32	8.1	*	42	24	6.95~7.45	36	175753-5
	7.0	33.5	24.8	33	7.1	*	42	24	6.15~6.65	26	175753-4
OBSOLETE	-6.5	29.7	21.0	33	6.7	*	42	24	5.75~6.25	20	175753-2
OBSOLETE	-6.1	25.8	17.1	33	6.3	*	42	24	5.35~5.85	14	175753-1
	A	B	C	D	E	F	G	H	CABLE DIA. 適用ケーブル外径	POS	PART NO.

GENERAL TOLERANCE
 一般公差
 10 ≥ : ±0.2
 30 > 10: ±0.25
 100 ≥ > 30: ±0.3
 ANGLES: ±3'

THIS DRAWING IS A CONTROLLED DOCUMENT.

DWN H.KODAMA 06JUN89	Tyco Electronics Tyco Electronics AMP K.K. Kawasaki, Japan
CHK Y.FUJIURA 06JUN89	
APVD R.NISHIMURA 06JUN89	
NAME R.NISHIMURA	
DIMENSIONS: 単位: 概 mm	PRODUCT SPEC 製品規格
TOLERANCES UNLESS OTHERWISE SPECIFIED: 一般公差	APPLICATION SPEC 取付適用規格
0 PLC ±	WEIGHT
1 PLC ±	A2 00779 C=175753
2 PLC ±	SCALE 2:1
3 PLC ±	SHEET 1 OF 1
4 PLC ±	REV K
ANGLES ±	CUSTOMER DRAWING
FINISH 仕上	RESTRICTED TO
MATERIAL 材料 SEE NOTES	
FINISH 仕上 SEE NOTES	