



Chipsmall Limited consists of a professional team with an average of over 10 year of expertise in the distribution of electronic components. Based in Hongkong, we have already established firm and mutual-benefit business relationships with customers from,Europe,America and south Asia,supplying obsolete and hard-to-find components to meet their specific needs.

With the principle of "Quality Parts,Customers Priority,Honest Operation,and Considerate Service",our business mainly focus on the distribution of electronic components. Line cards we deal with include Microchip,ALPS,ROHM,Xilinx,Pulse,ON,Everlight and Freescale. Main products comprise IC,Modules,Potentiometer,IC Socket,Relay,Connector.Our parts cover such applications as commercial,industrial, and automotives areas.

We are looking forward to setting up business relationship with you and hope to provide you with the best service and solution. Let us make a better world for our industry!



Contact us

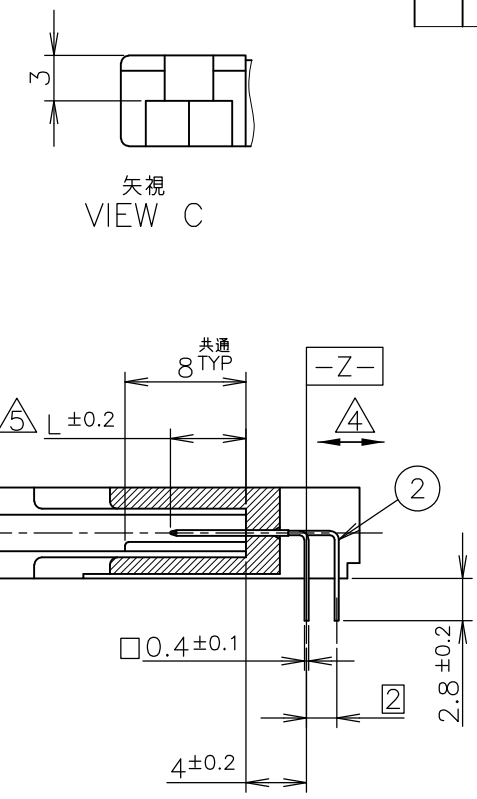
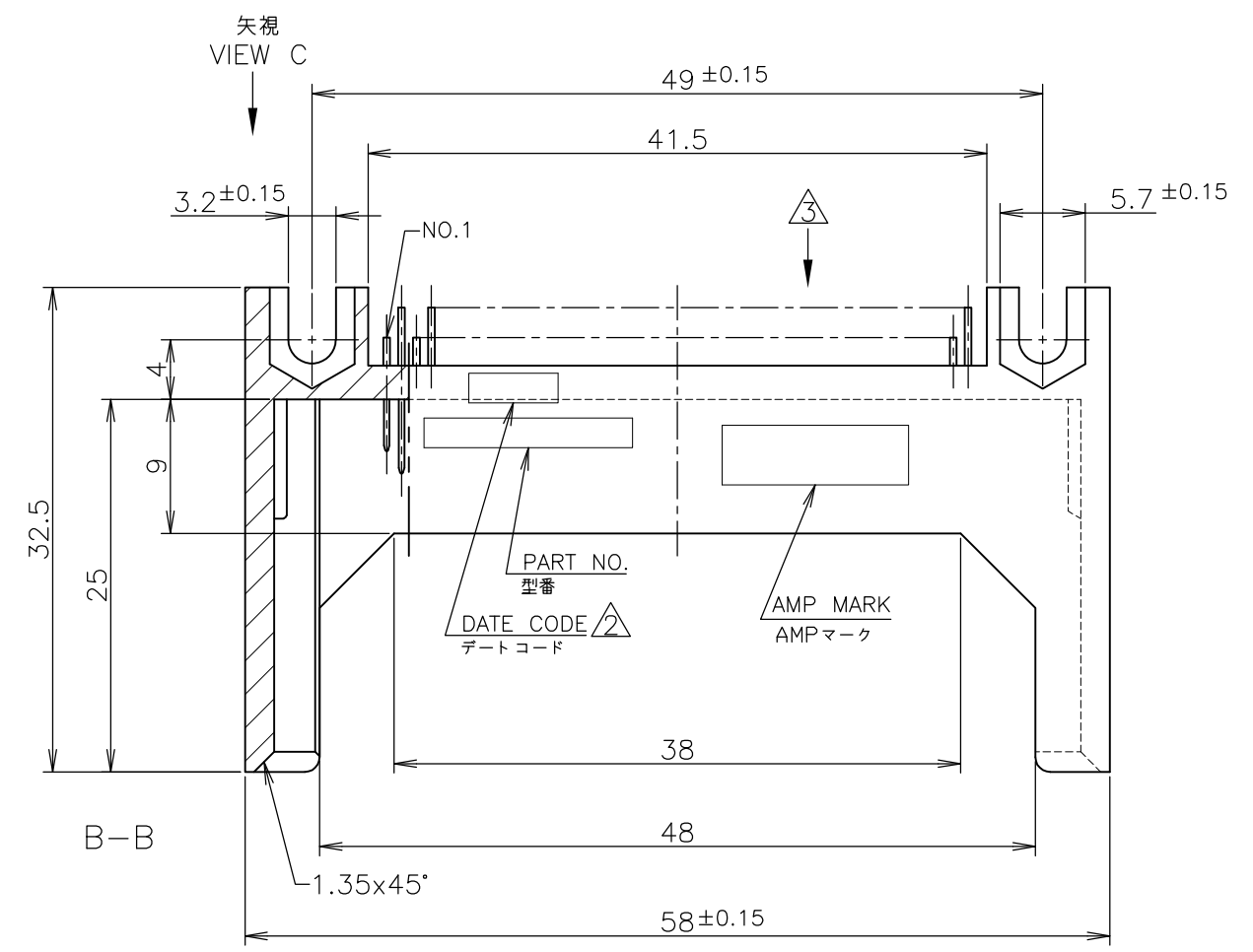
Tel: +86-755-8981 8866 Fax: +86-755-8427 6832

Email & Skype: info@chipsmall.com Web: www.chipsmall.com

Address: A1208, Overseas Decoration Building, #122 Zhenhua RD., Futian, Shenzhen, China



LOC	DIST	REVISIONS					
J	/	P	LTR	DESCRIPTION	DATE	DWN	APVD
		D		REVISED ECR-10-014655	13JUL2010	T.T	T.M



- 1 一般公差: ±0.3
- 2 ホットマーキングを施す。
- 3 マーキングは矢視方向から読めること。
- 4 この方向のポスト保持力は4.9N (0.5Kgf)以上。
- 5 ポスト長Lは下記の通り。

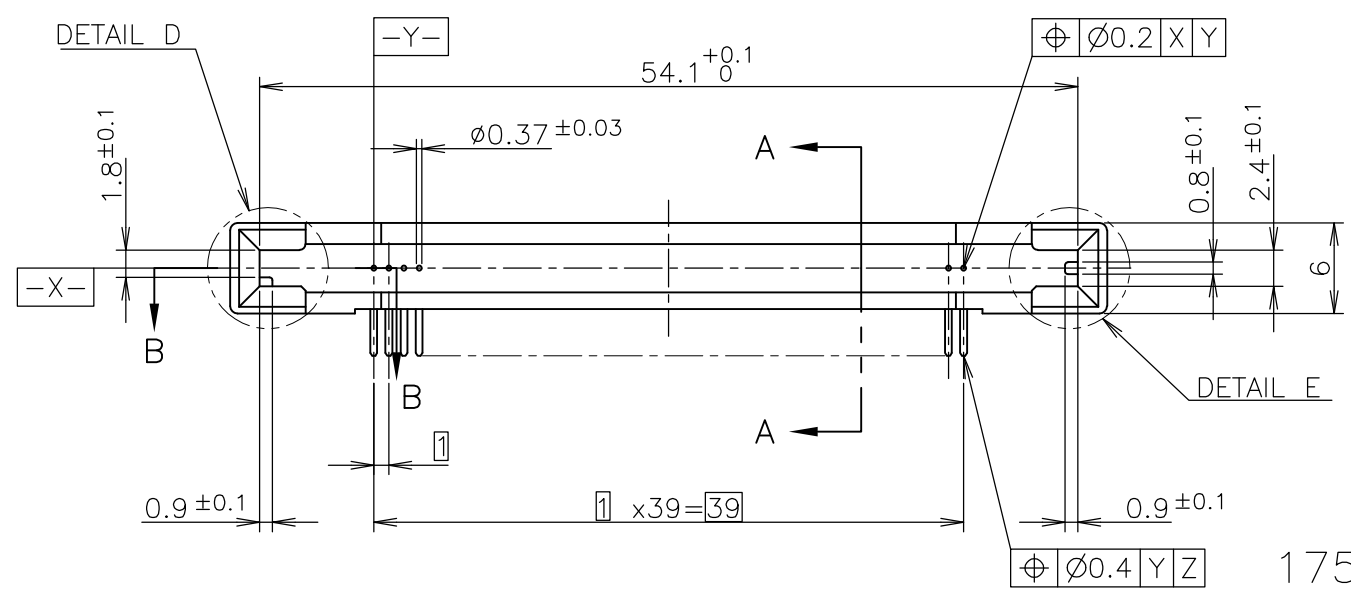
L長	5.0	3.5	4.0
回路番号	-1	2,3,38,39	1,40
			その他

6 嵌合相手型番: 175564-1

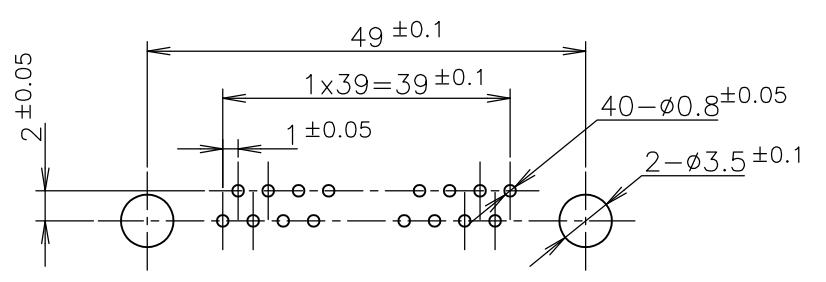
- 1 GENERAL TOLERANCE: ±0.3
- 2 HOT MARKING
- 3 MARKING LETTERS CAN BE READ BY ARROW SIDE.
- 4 POST RETENTION FORCE: 4.9N (0.5Kgf) MIN.
- 5 L DIMENSION AS BELOW.

L	5.0	3.5	4.0
NO.	-1	2,3,38,39	1,40
			REMAINS

6 MATE WITH: 175564-1



175758-1: AS SHOWN



REFERENCE BOARD LAYOUT THK: 1.6±0.15
 参考取付基板穴寸法 (基板厚: 1.6±0.15)
 (コネクタ実装面側)
 CONNECTOR MOUNTING SIDE

THIS DRAWING IS A CONTROLLED DOCUMENT.	
DIMENSIONS: 単位: 耗 mm	TOLERANCES UNLESS OTHERWISE SPECIFIED: 一般公差
0 PLC ±	1 PLC ±
2 PLC ±	3 PLC ±
4 PLC ±	ANGLES ±
MATERIAL 材料	FINISH 仕上
SEE TABLE 表参照	SEE TABLE 表参照

40	POST CONT. ポストコンタクト	BRASS 黄銅	Ni PL. 全面ニッケル下地、 Au PL. 金めつき(0.3μm MIN) TIN-LEAD PL. 半田めつき(1μm MIN)	②
1	POST HSG (STD TYPE) ポストハウジング	G.F. PBT (94V-0) ガラス入りPBT(94V-0)	COLOR: BLACK 色: 黒	①
-1	名称 NAME	材料 MATERIAL	仕上 FINISH	ITEM
型番 P/N				
DWN T.FUTATSUGI	08NOV1988	Tyco Electronics Corporation Kawasaki, Japan		
CHK S.MANABE	10NOV1988	NAME 名称 ポストヘッダー POST HDR		
APVD H.TAGUCHI	10NOV1988	PRODUCT SPEC 製品規格 AMP MEMORY CARD CONNECTOR 1mm PITCH 40P, R/A		
APPLICATION SPEC 取付適用規格		SIZE	CAGE CODE	DRAWING NO 番号
WEIGHT		A3	00779	G-175758
CUSTOMER DRAWING		SCALE 尺度	SHEET 1 OF 1	REV D