



Chipsmall Limited consists of a professional team with an average of over 10 year of expertise in the distribution of electronic components. Based in Hongkong, we have already established firm and mutual-benefit business relationships with customers from,Europe,America and south Asia,supplying obsolete and hard-to-find components to meet their specific needs.

With the principle of “Quality Parts,Customers Priority,Honest Operation,and Considerate Service”,our business mainly focus on the distribution of electronic components. Line cards we deal with include Microchip,ALPS,ROHM,Xilinx,Pulse,ON,Everlight and Freescale. Main products comprise IC,Modules,Potentiometer,IC Socket,Relay,Connector.Our parts cover such applications as commercial,industrial, and automotives areas.

We are looking forward to setting up business relationship with you and hope to provide you with the best service and solution. Let us make a better world for our industry!



## Contact us

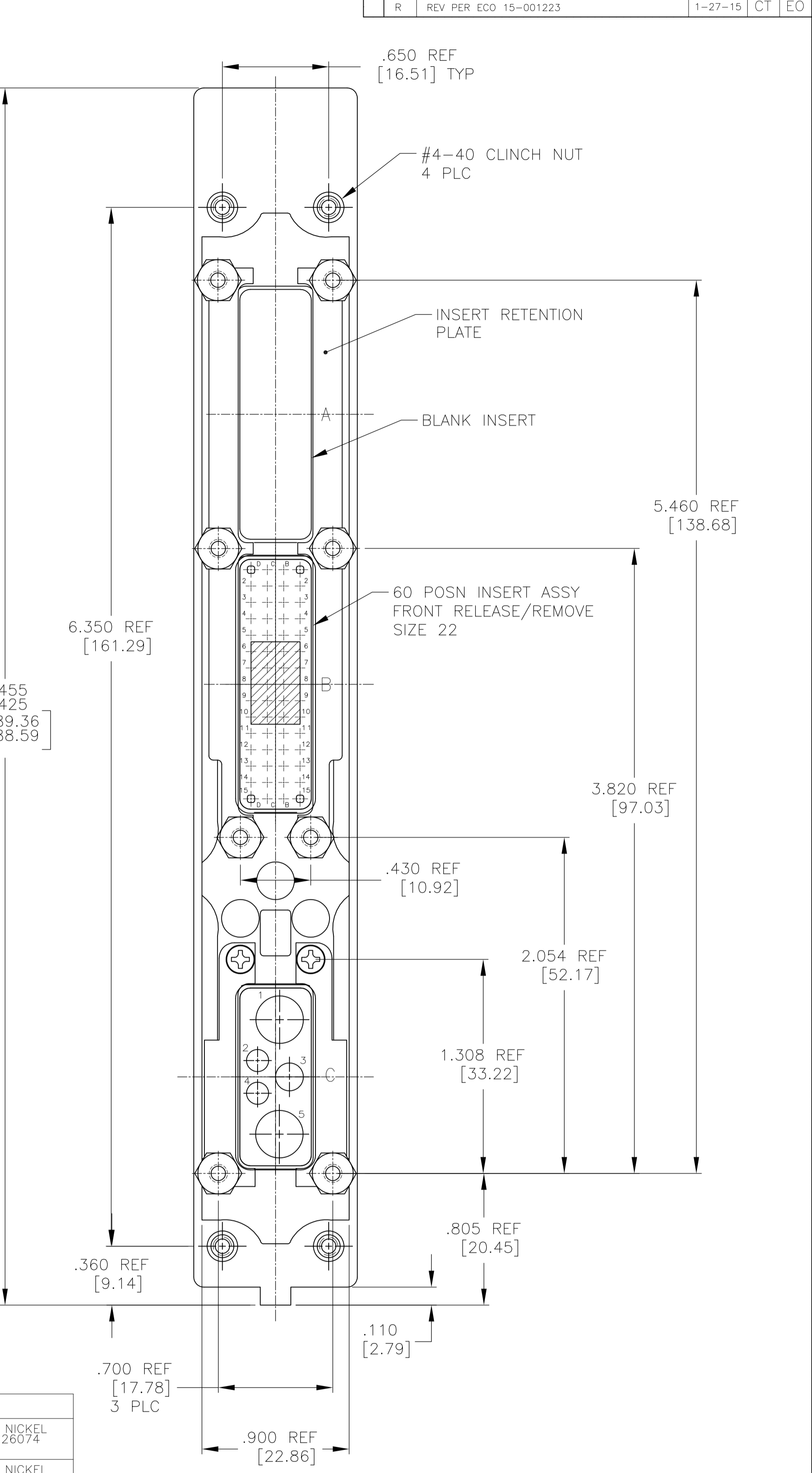
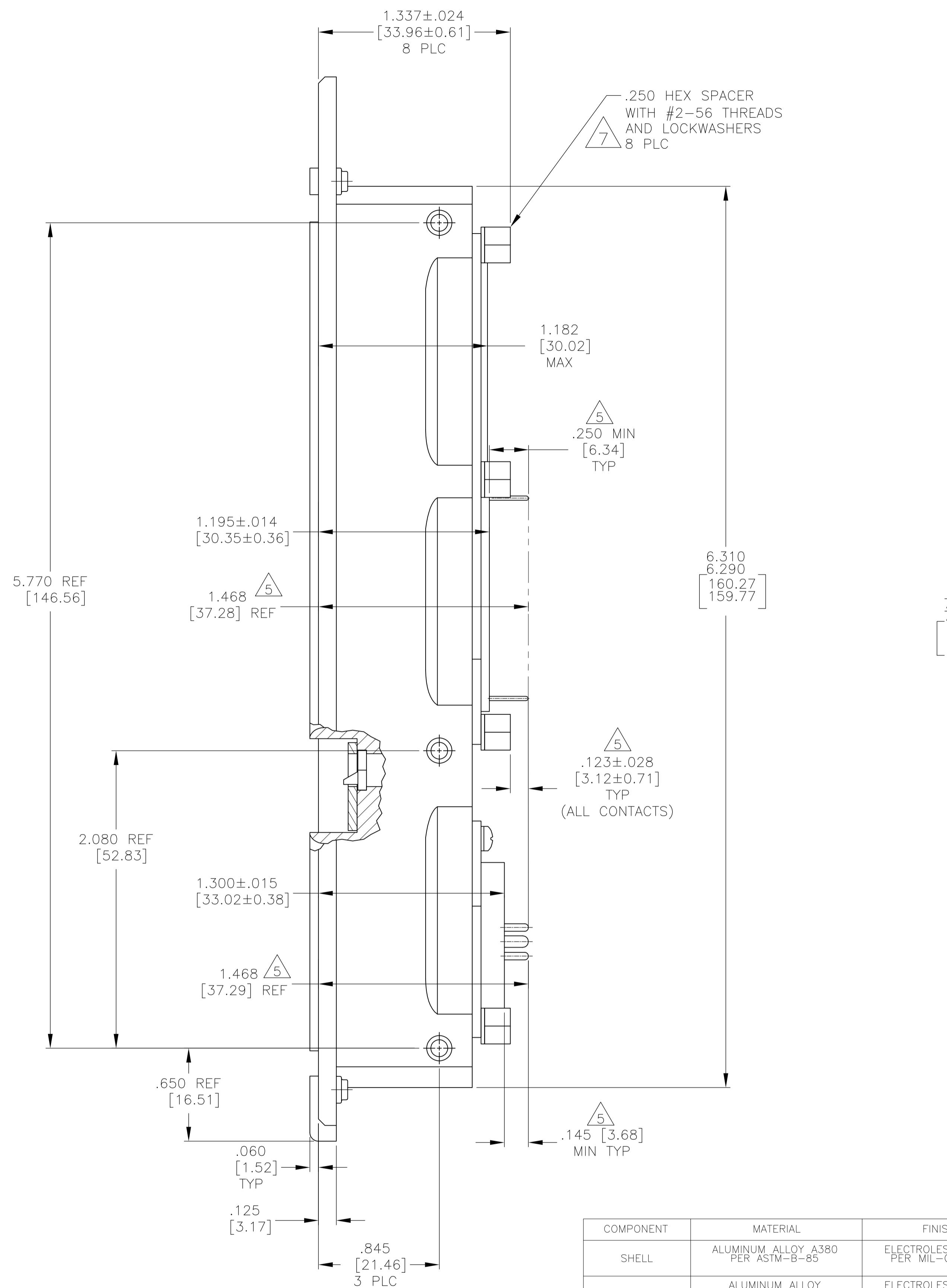
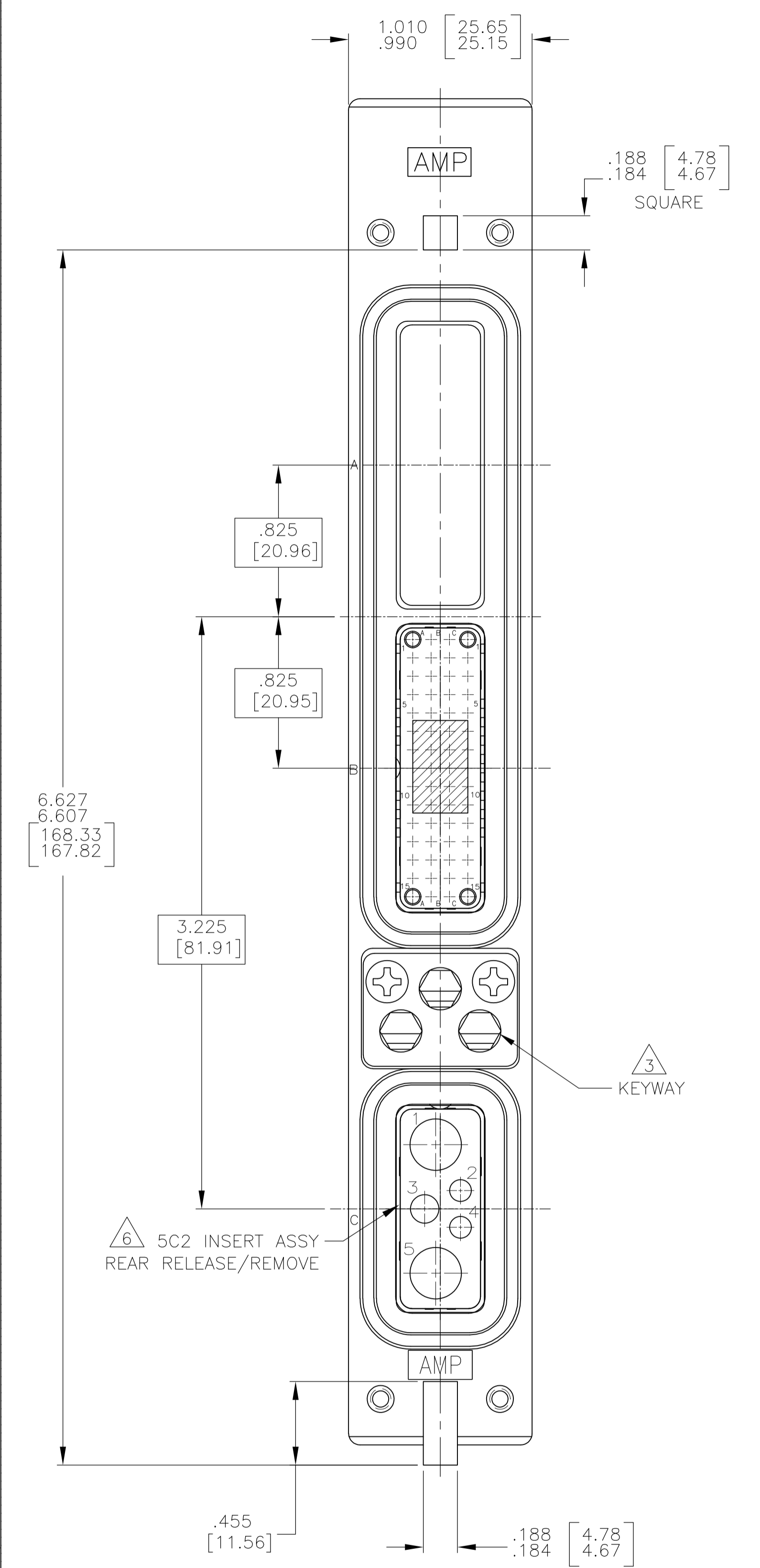
Tel: +86-755-8981 8866 Fax: +86-755-8427 6832

Email & Skype: info@chipsmall.com Web: www.chipsmall.com

Address: A1208, Overseas Decoration Building, #122 Zhenhua RD., Futian, Shenzhen, China



LOC	DIST	REVISIONS			
P	LTR	DESCRIPTION	DATE	DN	APVD
R	REV PER ECO	15-001223	1-27-15	CT	EO



- CONNECTOR DIMENSIONS ARE PER ARINC 600 SPECIFICATION
- CONTACTS NOT SHOWN IN FRONT & REAR VIEWS FOR CLARITY.
- KEYING SHOWN IN POSITION FOR REFERENCE ONLY. SEE TABLE FOR KEYING POSITION. FOR POSITION "00" KEYING SHIPPED UNASSEMBLED.
- INSTALLED CONTACT LOCATIONS:  
 CAVITY B: SIZE 22 POSTED; QTY=60 (P/N 211431-4) (-1 ONLY)  
 CAVITY C: SIZE 16 POSTED; QTY=2; POSITIONS 2 & 4; (P/N 1-1663128-0) (-1 ONLY)  
 SIZE 12 POSTED; QTY=1; POSITION 3; (P/N 1663129-8) (-1 ONLY)  
 CAVITY B: SIZE 22 POSTED; QTY=60 (P/N 211431-6) (-2 & -4 ONLY)  
 CAVITY C: SIZE 16 POSTED; QTY=2; POSITIONS 2 & 4; (P/N 1663128-5) (-2 & -4 ONLY)  
 SIZE 12 POSTED; QTY=1; POSITION 3; (P/N 1663129-5) (-2 & -4 ONLY)  
 SIZE 5 POSTED; QTY=2; POSITION 1 & 5; (P/N 1663535-1) (-2 & -4 ONLY) (FREELY ROTATES)

1757625-1  
AS SHOWN

- 5** DIMENSION APPLIES WITH CONTACTS FULLY SEATED TO REAR OF CONTACT CAVITIES.
- 6** SIZE 5 CAVITIES ARE GROUNDED TO SHELL.
- 7** FASTENER TORQUE TO BE 1.5-2.0 in-lb.

COMPONENT	MATERIAL	FINISH
SHELL	ALUMINUM ALLOY A380 PER ASTM-B-85	ELECTROLESS NICKEL PER MIL-C-26074
RETENTION PLATES	ALUMINUM ALLOY PER ASTM-B-209	ELECTROLESS NICKEL PER MIL-C-26074
PAN HEAD SCREWS AND LOCKWASHERS	STAINLESS STEEL	PASSIVATED
FLAT HEAD SCREWS (FOR KEYING HARDWARE)	STAINLESS STEEL	PASSIVATED
POLARIZING KEYS	ZINC ALLOY PER ASTM-B-86	-
POLARIZING KEY RETAINING PLATE	ALUMINUM ALLOY PER ASTM-B-209	BLUE ANODIZED PER MIL-A-8625
BLANK INSERT	TEFLON	-
60 & 5C2 INSERTS	THERMOSET	-
STANDOFF	STAINLESS STEEL	PASSIVATED

THIS DRAWING IS A CONTROLLED DOCUMENT.  
 DIMENSIONS: INCHES [mm]  
 TOLERANCES UNLESS OTHERWISE SPECIFIED:  
 0 PLC ± -  
 1 PLC ± -  
 2 PLC ± -  
 3 PLC ± .005 [0.13]  
 4 PLC ± -  
 ANGLES ± -

SEE SHEET #2	"02"	1757625-4
SEE SHEET #2	"136"	1757625-2
SEE SHEET #1	"02"	1757625-1
VIEW	KEYING POSITION	PART NUMBER
THIS DRAWING IS A CONTROLLED DOCUMENT.		
DIMENSIONS: INCHES [mm]		
TOLERANCES UNLESS OTHERWISE SPECIFIED:		
0 PLC ± - 1 PLC ± - 2 PLC ± - 3 PLC ± .005 [0.13] 4 PLC ± - ANGLES ± -		
MATERIAL FINISH		
SEE TABLE SEE TABLE		
CUSTOMER DRAWING		
SCALE 2:1 SHEET 1 OF 3 REV R		



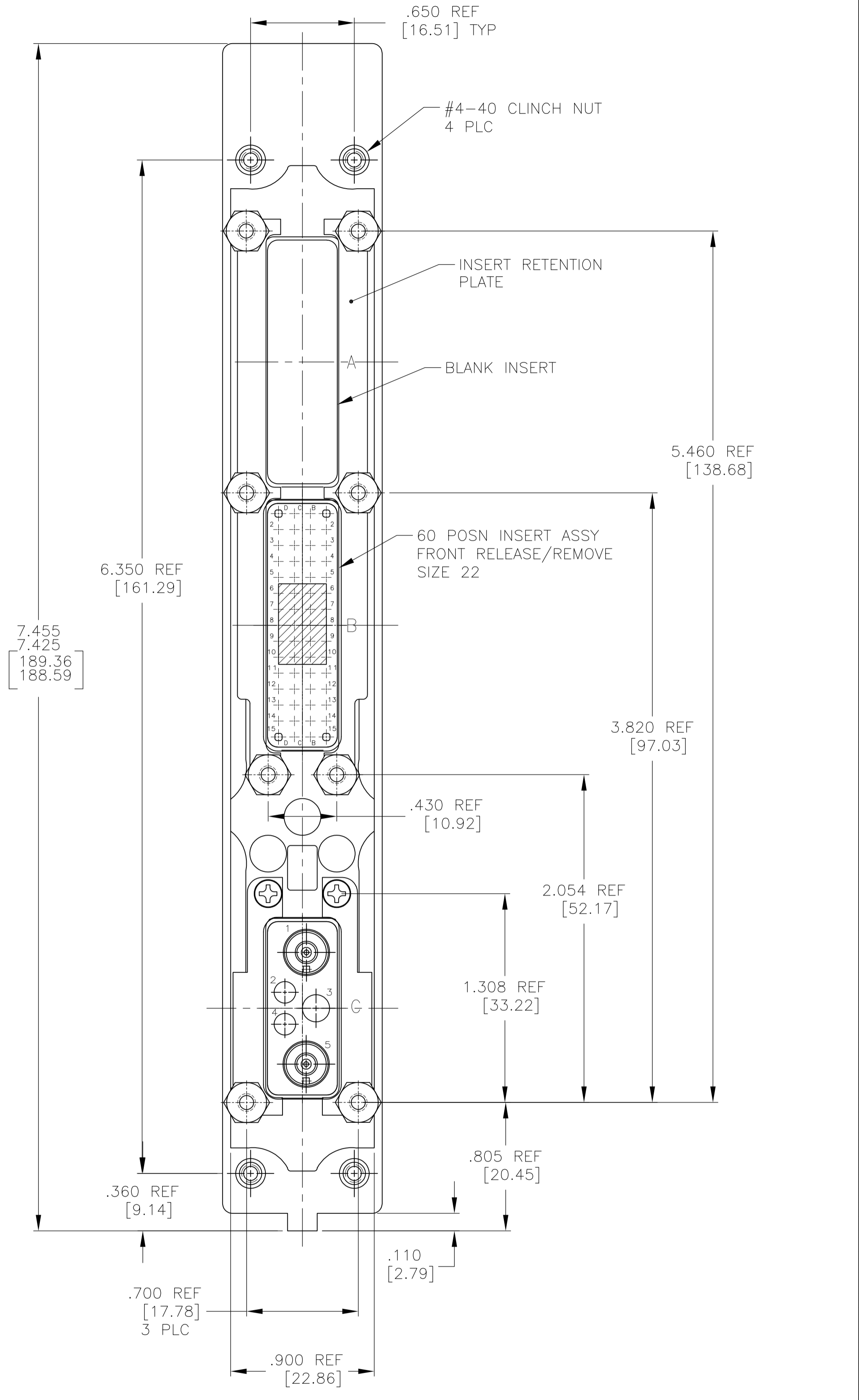
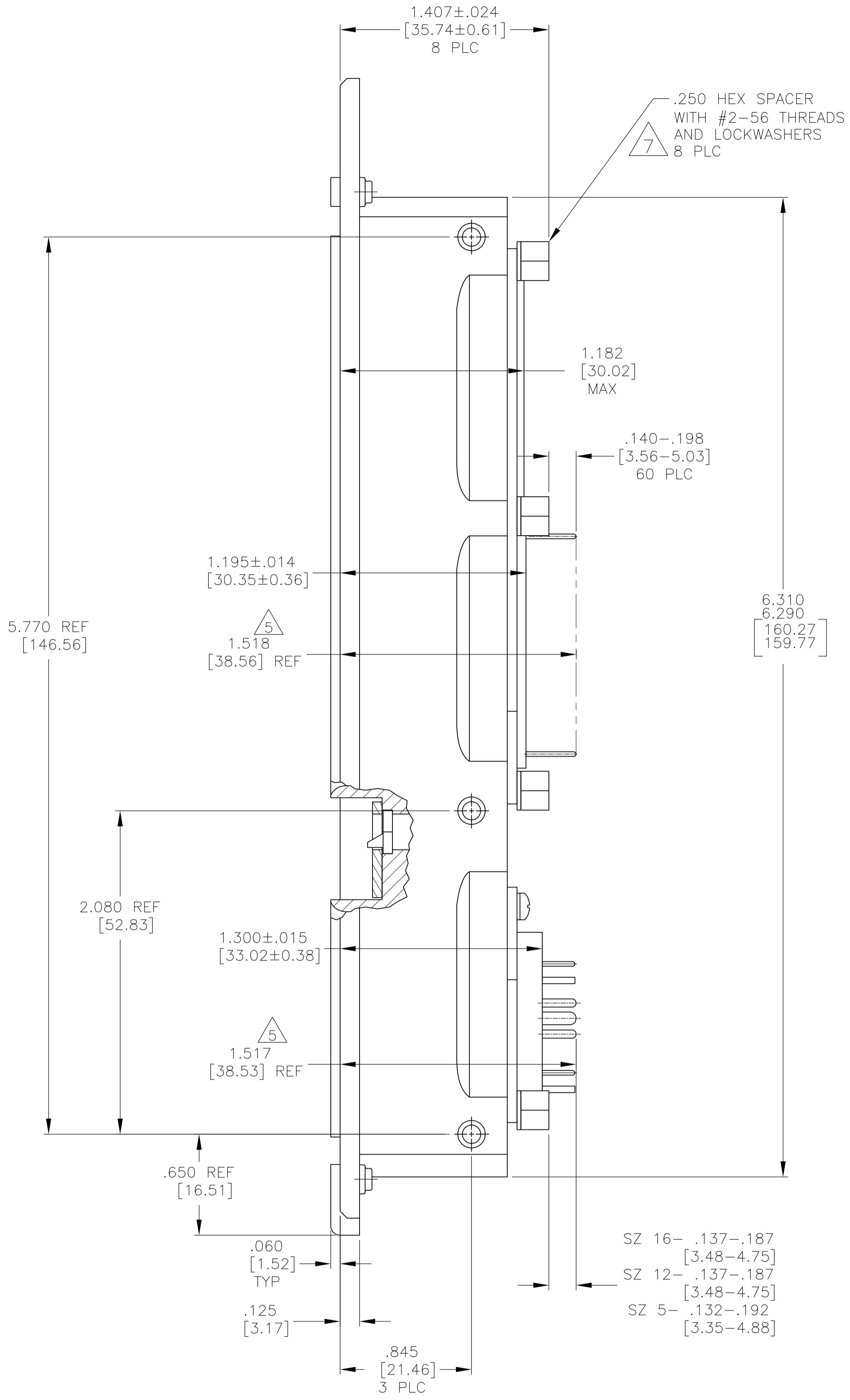
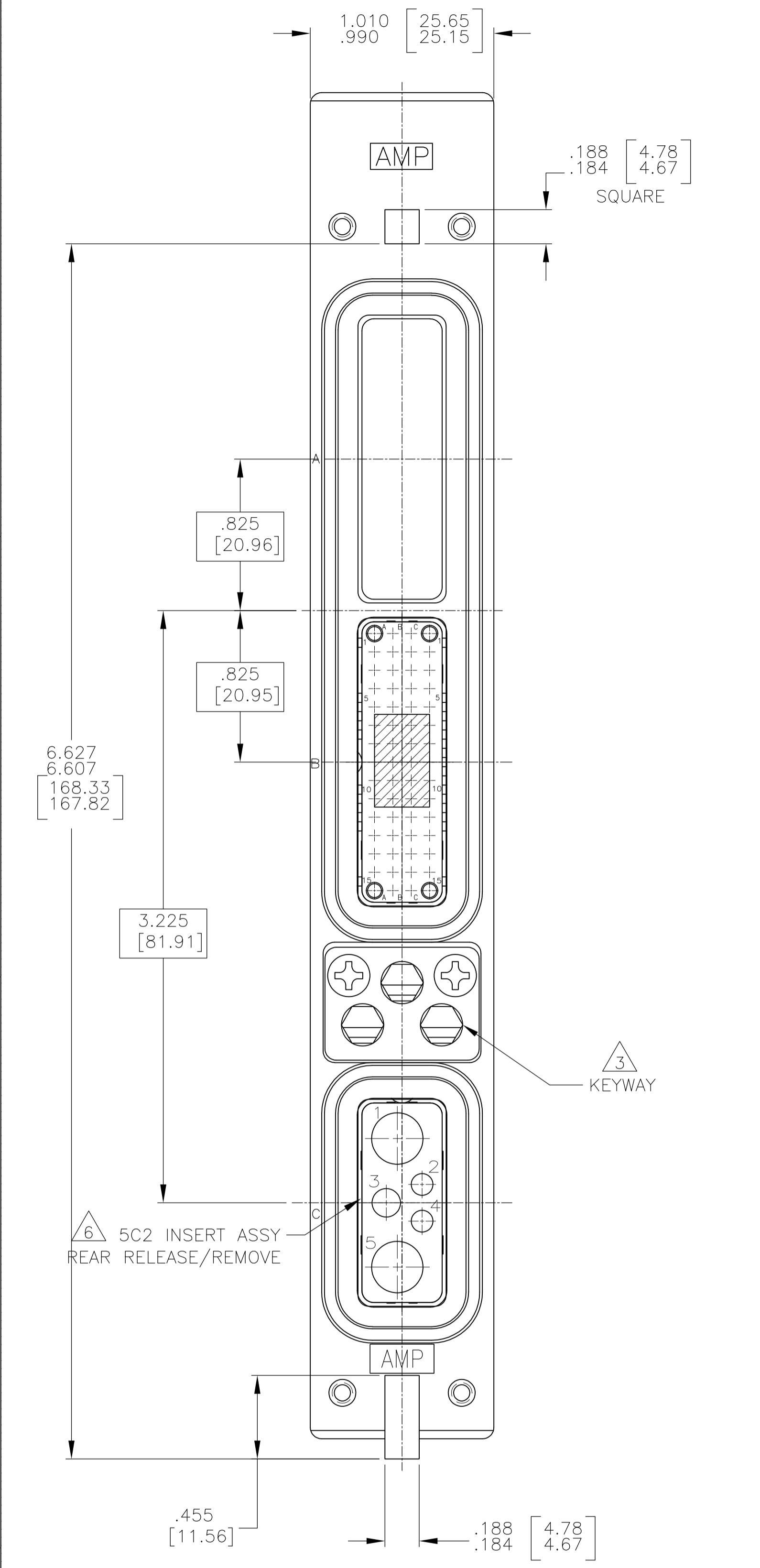
RCPT ASSY, SIZE 1, ARINC 600 (BLANK/60/5C2)

SIZE CASE CODE DRAWING NO. RESTRICTED TO

A1 00779 1757625



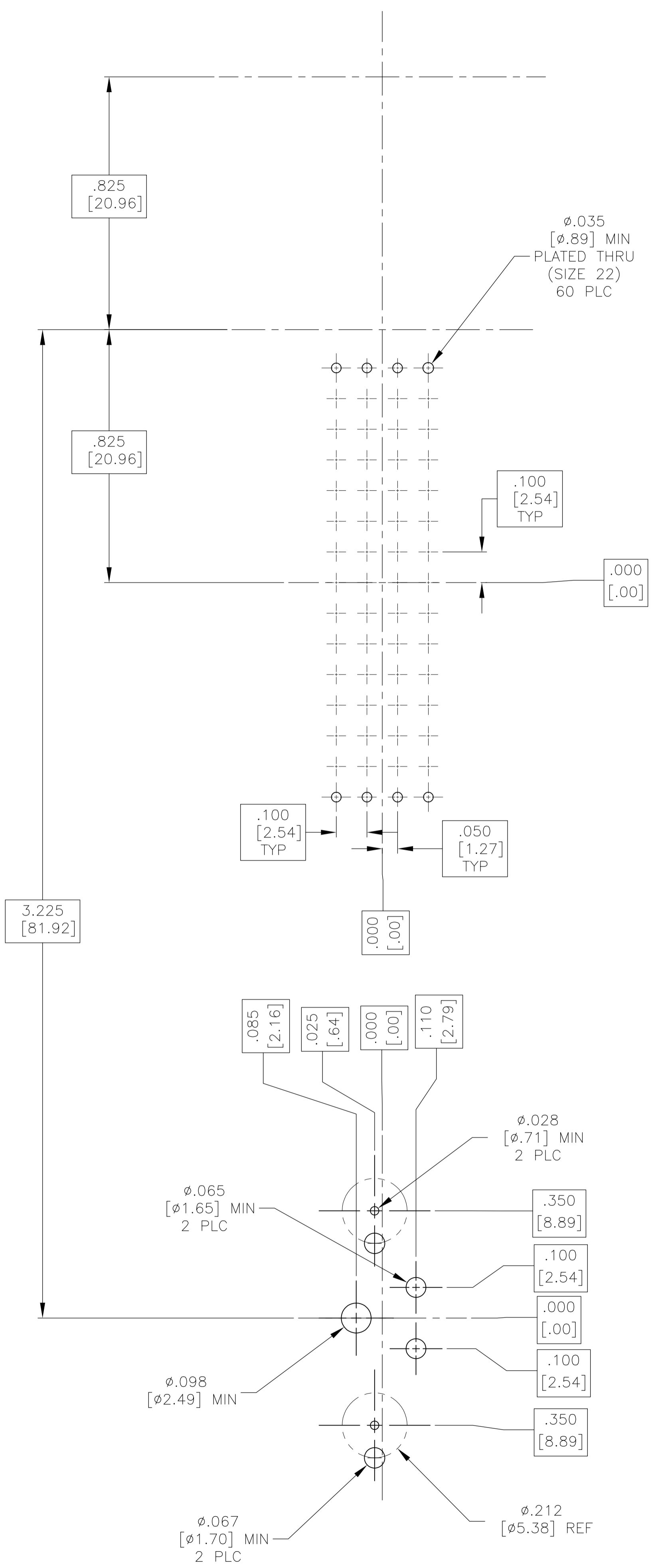
LOC		DIST		REVISIONS			
P	LTR	DESCRIPTION	DATE	DNW	APVD		
-	-	SEE SHEET 1	-	-	-	-	-



1757625-2 & -4  
 AS SHOWN

THIS DRAWING IS A CONTROLLED DOCUMENT.		DIN C.C.THOMAS 1-4-05	TE Connectivity
DIMENSIONS: INCHES [mm]		CHK K.HOGAN 1-4-05	
TOLERANCES UNLESS OTHERWISE SPECIFIED:		APVD K.HOGAN 1-4-05	NAME RCPT ASSY, SIZE 1, ARINC 600 (BLANK/60/5C2)
0 PLC ± -	1 PLC ± -	PRODUCT SPEC	APPLICATION SPEC
2 PLC ± -	3 PLC ± .005 [0.13]	SIZE	CAGE CODE DRAWING NO
4 PLC ± -	ANGLES ± -	WEIGHT	RESTRICTED TO
MATERIAL SEE TABLE	FINISH SEE TABLE	A1 00779	SCALE 2:1 SHEET 2 OF 3 REV R
CUSTOMER DRAWING		SCALE 2:1 SHEET 2 OF 3 REV R	

LOC		DIST		REVISIONS			
P	LYR	DESCRIPTION	DATE	DNW	APVD		
-	-	SEE SHEET 1	-	-	-		



RECOMMENDED P.C. BOARD LAYOUT  
 SCALE 4:1

THIS DRAWING IS A CONTROLLED DOCUMENT.		DWN C.C.THOMAS 1-4-05 CHK K.HOGAN 1-4-05 APVD K.HOGAN 1-4-05	TE Connectivity	
DIMENSIONS: INCHES [mm]		TOLERANCES UNLESS OTHERWISE SPECIFIED: 0 PLC ± - 1 PLC ± - 2 PLC ± - 3 PLC ± .005 [0.13] 4 PLC ± - ANGLES ± -		NAME RCPT ASSY, SIZE 1, ARINC 600 (BLANK/60/5c2)
MATERIAL SEE TABLE		FINISH SEE TABLE		SIZE A1
WEIGHT -		DRAWING NO. 1757625		RESTRICTED TO -
CUSTOMER DRAWING		SCALE 2:1	SHEET 3 OF 3	REV R