



Chipsmall Limited consists of a professional team with an average of over 10 year of expertise in the distribution of electronic components. Based in Hongkong, we have already established firm and mutual-benefit business relationships with customers from,Europe,America and south Asia,supplying obsolete and hard-to-find components to meet their specific needs.

With the principle of “Quality Parts,Customers Priority,Honest Operation,and Considerate Service”,our business mainly focus on the distribution of electronic components. Line cards we deal with include Microchip,ALPS,ROHM,Xilinx,Pulse,ON,Everlight and Freescale. Main products comprise IC,Modules,Potentiometer,IC Socket,Relay,Connector.Our parts cover such applications as commercial,industrial, and automotives areas.

We are looking forward to setting up business relationship with you and hope to provide you with the best service and solution. Let us make a better world for our industry!



Contact us

Tel: +86-755-8981 8866 Fax: +86-755-8427 6832

Email & Skype: info@chipsmall.com Web: www.chipsmall.com

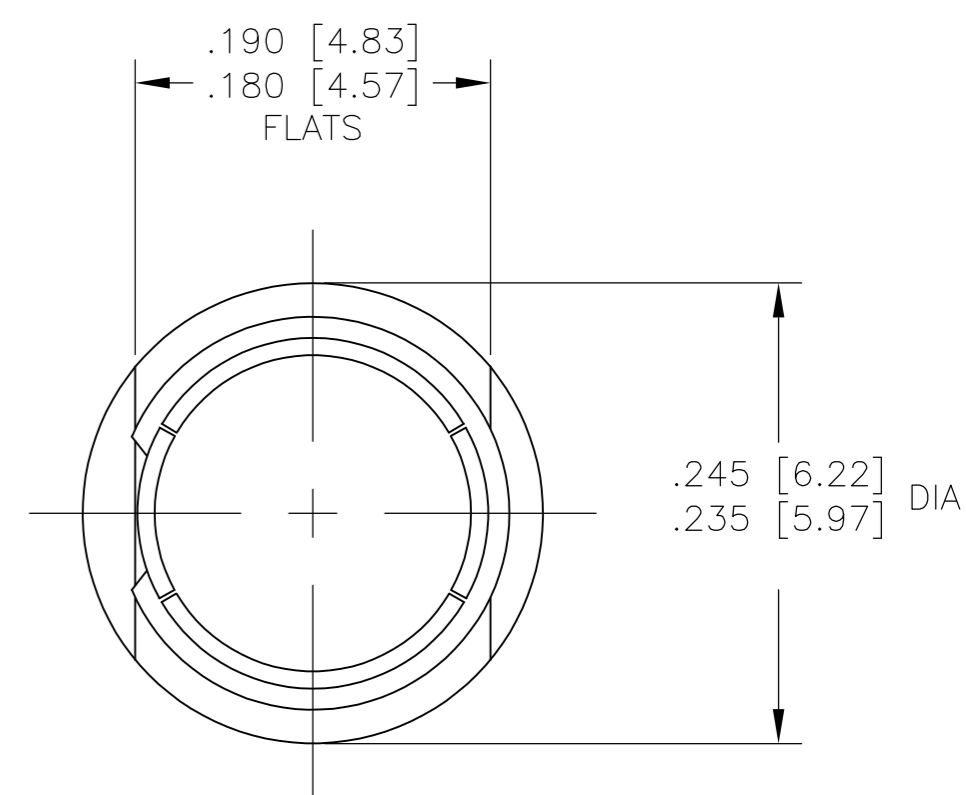
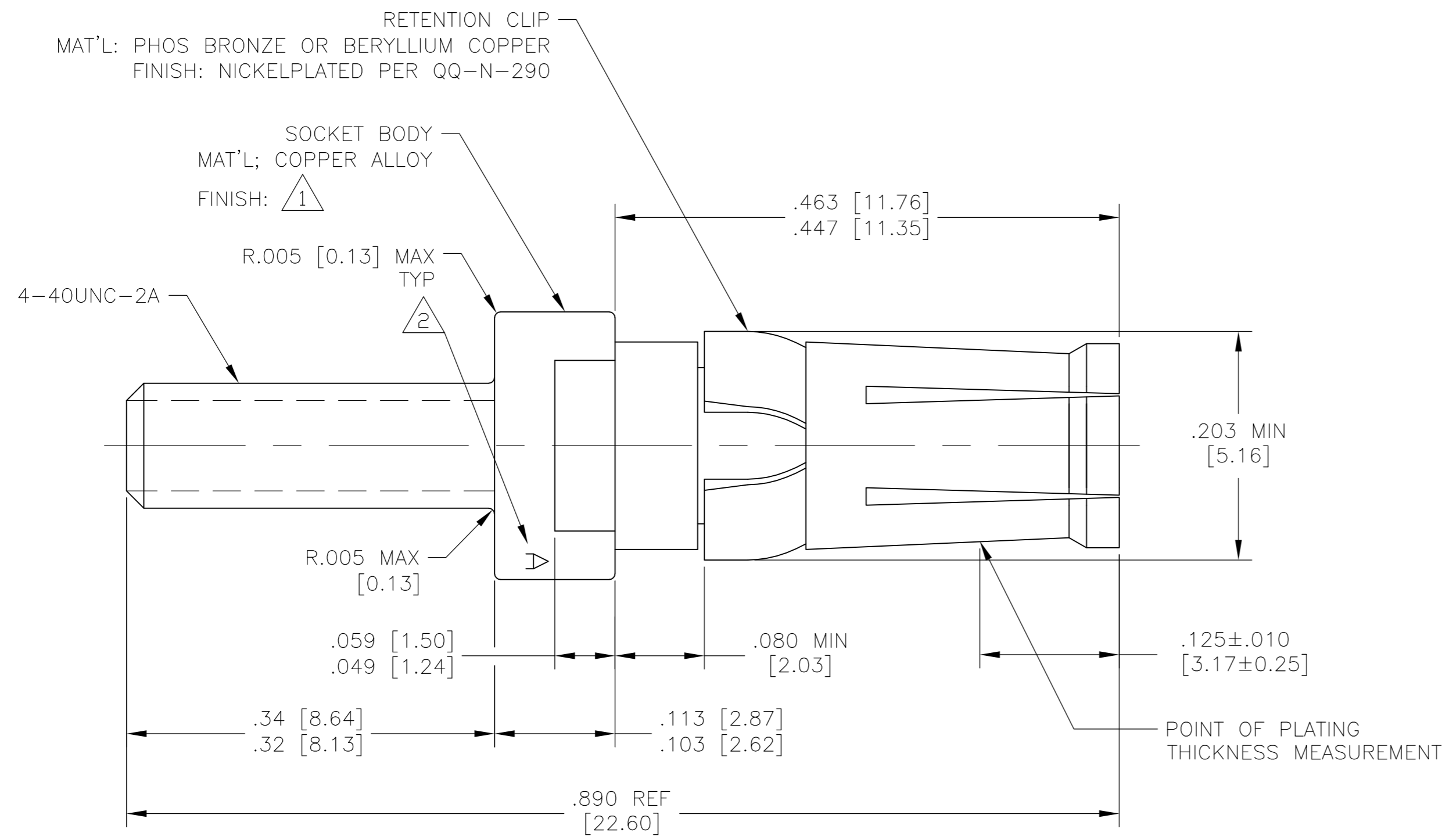
Address: A1208, Overseas Decoration Building, #122 Zhenhua RD., Futian, Shenzhen, China



THIS DRAWING IS UNPUBLISHED. RELEASED FOR PUBLICATION - N/A .
 © COPYRIGHT N/A BY TYCO ELECTRONICS CORPORATION. ALL RIGHTS RESERVED.

LOC	DIST	REVISIONS					
DF	DO	P	LTR	DESCRIPTION	DATE	DWN	APVD
		A		REV PER ECO-08-007206	08APR08	TK	CT

- ① FINISH: PLATED GOLD .000050 [0.00127] MIN THK PER ASTM-B488 OVER NICKEL .000050 [0.00127] MIN THK PER QQ-N-290.
- ② .015 TO .030 HIGH GOTHIC "A" STAMPED .001-002 DEEP. RADIAL LOCATION OPTIONAL.



1757682-1
 PART NO.

THIS DRAWING IS A CONTROLLED DOCUMENT.		DWN A.H.ANDERSON 05-APR-05	Tyco Electronics Corporation Harrisburg, PA 17105-3608	
DIMENSIONS: INCHES		CHK D.MILLER 05-APR-05	NAME ASSEMBLY, SOCKET CONTACT POWER VIII, THREADED	
TOLERANCES UNLESS OTHERWISE SPECIFIED:		APVD D.MILLER 05-APR-05	SIZE A2	CAGE CODE 00779
0 PLC ± - 1 PLC ± - 2 PLC ± - 3 PLC ± .005 [0.13] 4 PLC ± - ANGLES ± -		PRODUCT SPEC APPLICATION SPEC	DRAWING NO 1757682	RESTRICTED TO -
MATERIAL SEE CALLOUTS		FINISH SEE CALLOUTS	WEIGHT -	SCALE 10:1
		CUSTOMER DRAWING		SHEET 1 of 1 REV A