



Chipsmall Limited consists of a professional team with an average of over 10 year of expertise in the distribution of electronic components. Based in Hongkong, we have already established firm and mutual-benefit business relationships with customers from,Europe,America and south Asia,supplying obsolete and hard-to-find components to meet their specific needs.

With the principle of "Quality Parts,Customers Priority,Honest Operation,and Considerate Service",our business mainly focus on the distribution of electronic components. Line cards we deal with include Microchip,ALPS,ROHM,Xilinx,Pulse,ON,Everlight and Freescale. Main products comprise IC,Modules,Potentiometer,IC Socket,Relay,Connector.Our parts cover such applications as commercial,industrial, and automotives areas.

We are looking forward to setting up business relationship with you and hope to provide you with the best service and solution. Let us make a better world for our industry!



## Contact us

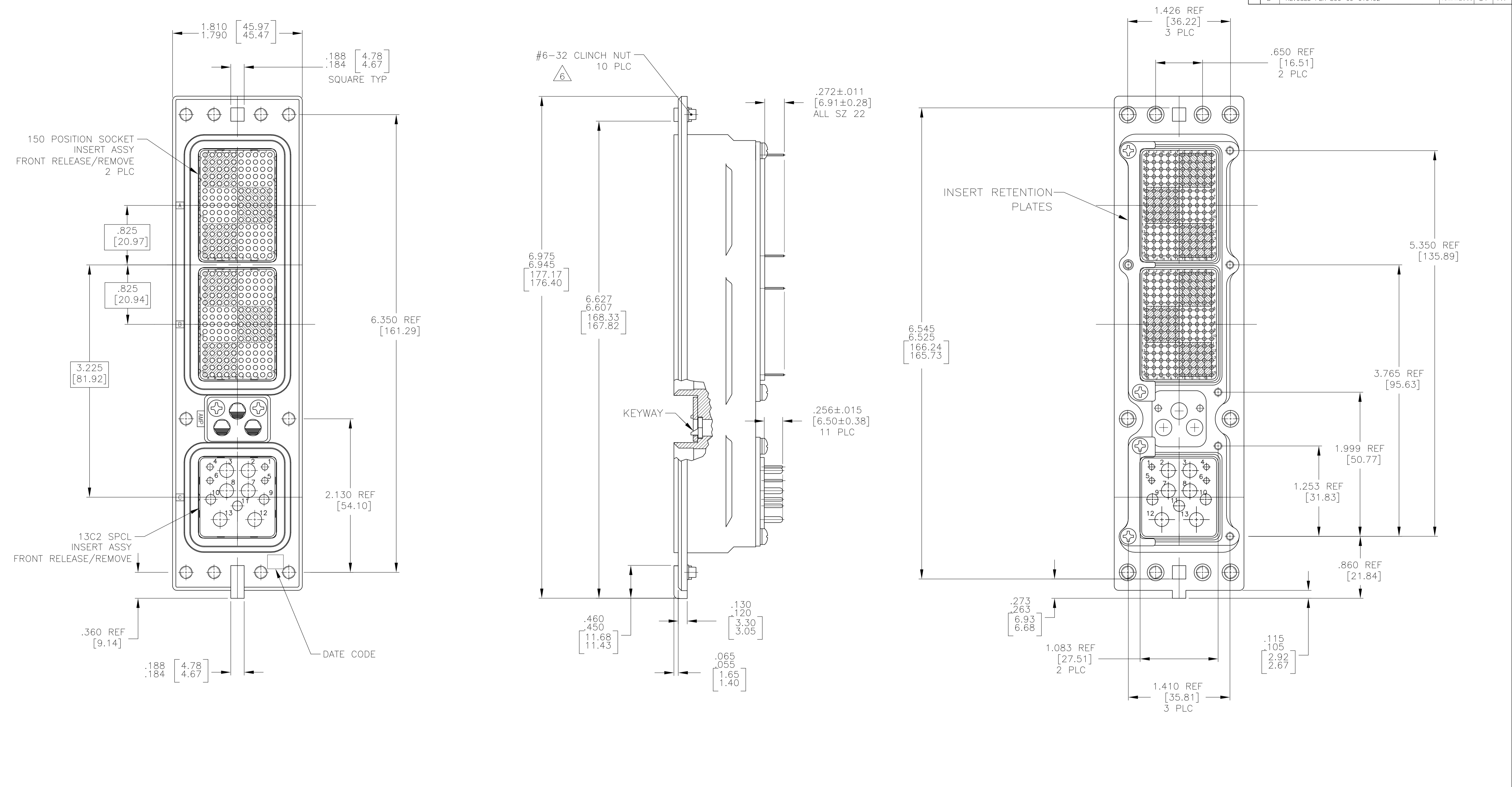
Tel: +86-755-8981 8866 Fax: +86-755-8427 6832

Email & Skype: info@chipsmall.com Web: www.chipsmall.com

Address: A1208, Overseas Decoration Building, #122 Zhenhua RD., Futian, Shenzhen, China



REVISONS		DATE	DWN	APVD
P	LTR	DESCRIPTION		
B		REVISED PER ECO-09-010492	19MAY2009	CT KT



- CONNECTOR DIMENSIONS ARE PER ARINC 600 SPECIFICATION.
- CONNECTOR IS SUPPLIED WITH A DUST COVER INSTALLED; NOT SHOWN.
- KEYING SHOWN IN POSITION "01" FOR ILLUSTRATION ONLY. CONNECTORS SHIPPED WITH KEYING INSTALLED IN POSITION PER TABLE. FOR POSITION "00" KEYING HARDWARE SHIPPED UNASSEMBLED.
- SEE SHEET #2 FOR SELECTIVE CONTACT LOADING DETAIL.
- CONTACTS NOT SHOWN IN FRONT & REAR VIEWS FOR CLARITY.
- STEEL CLINCH NUTS ELLIPTICALLY DEFORMED COATED WITH A DRY MOLY LUBE FILM.

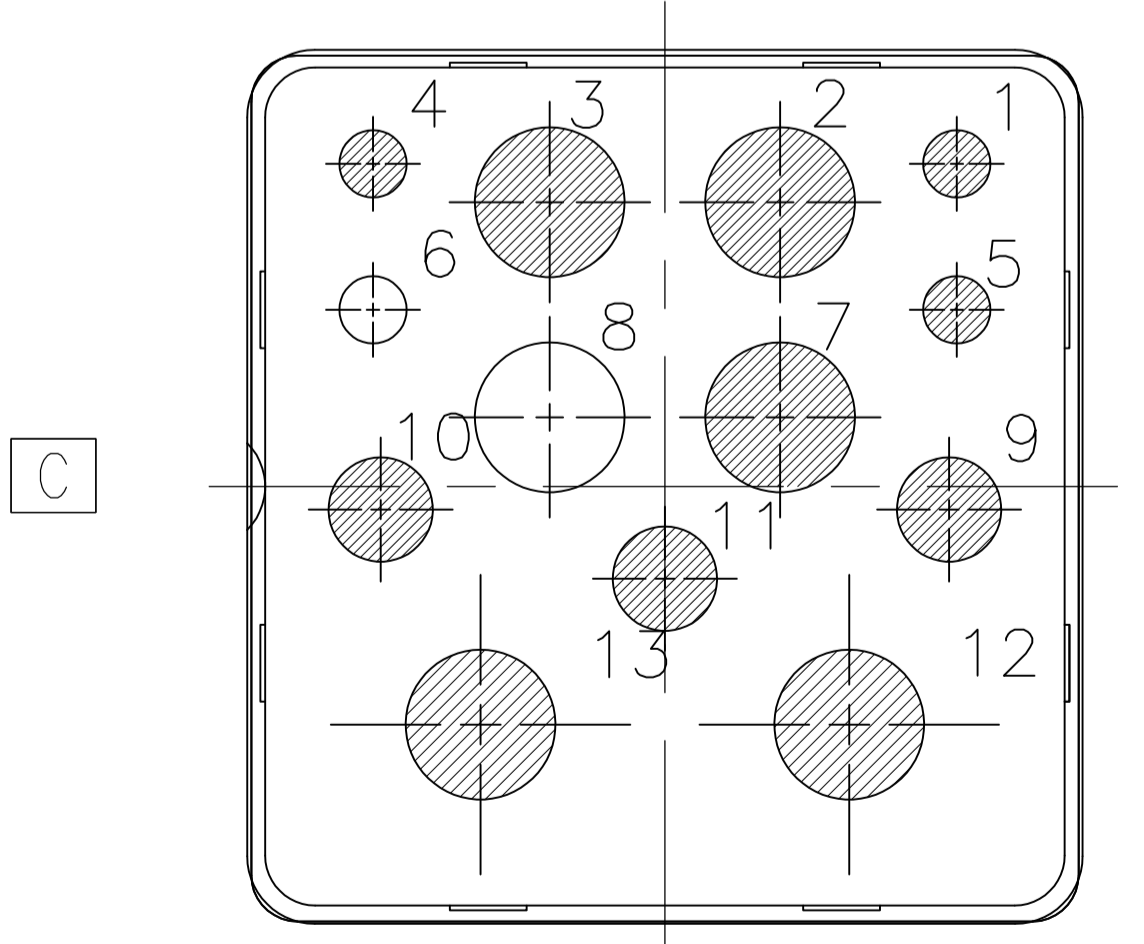
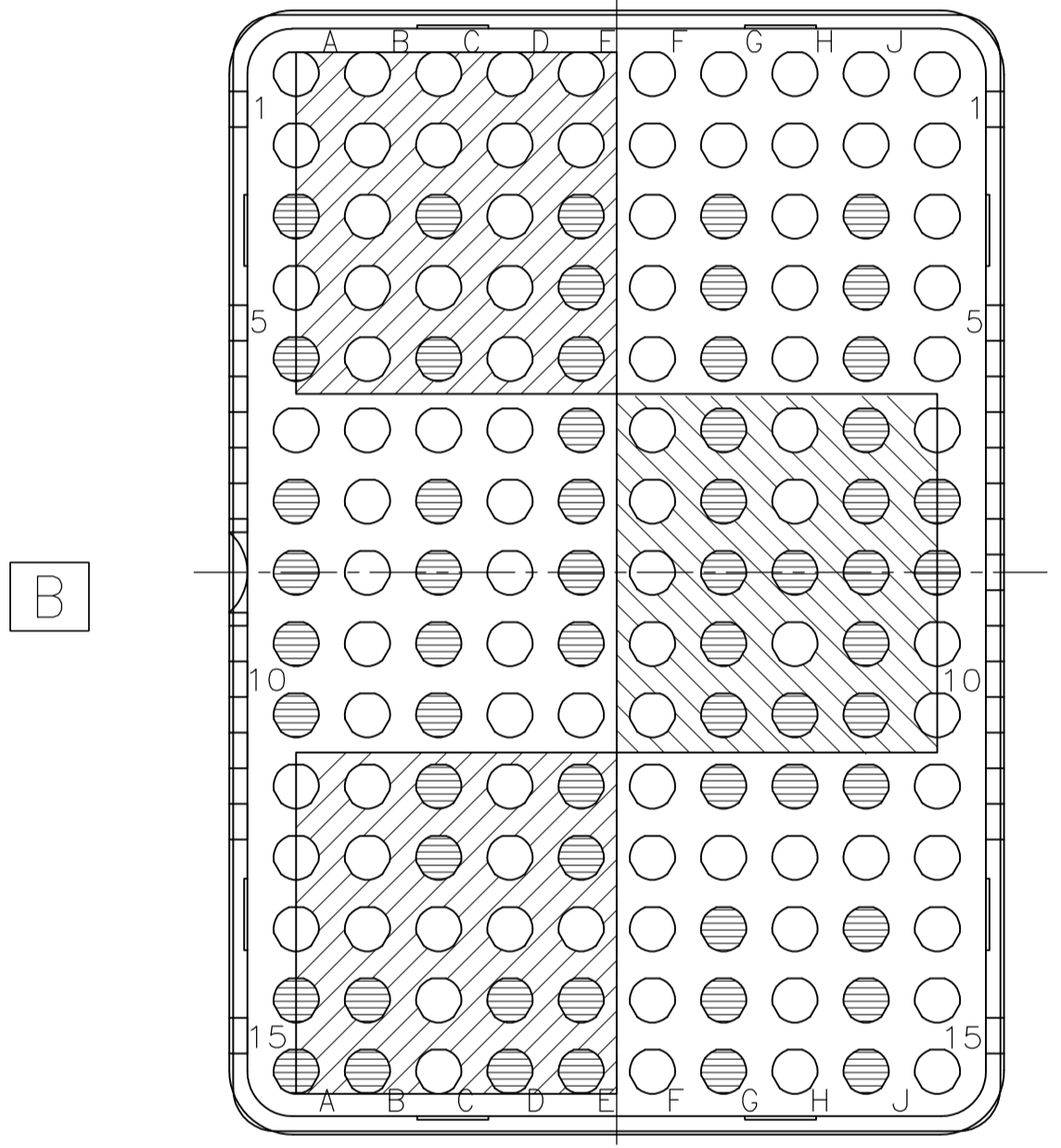
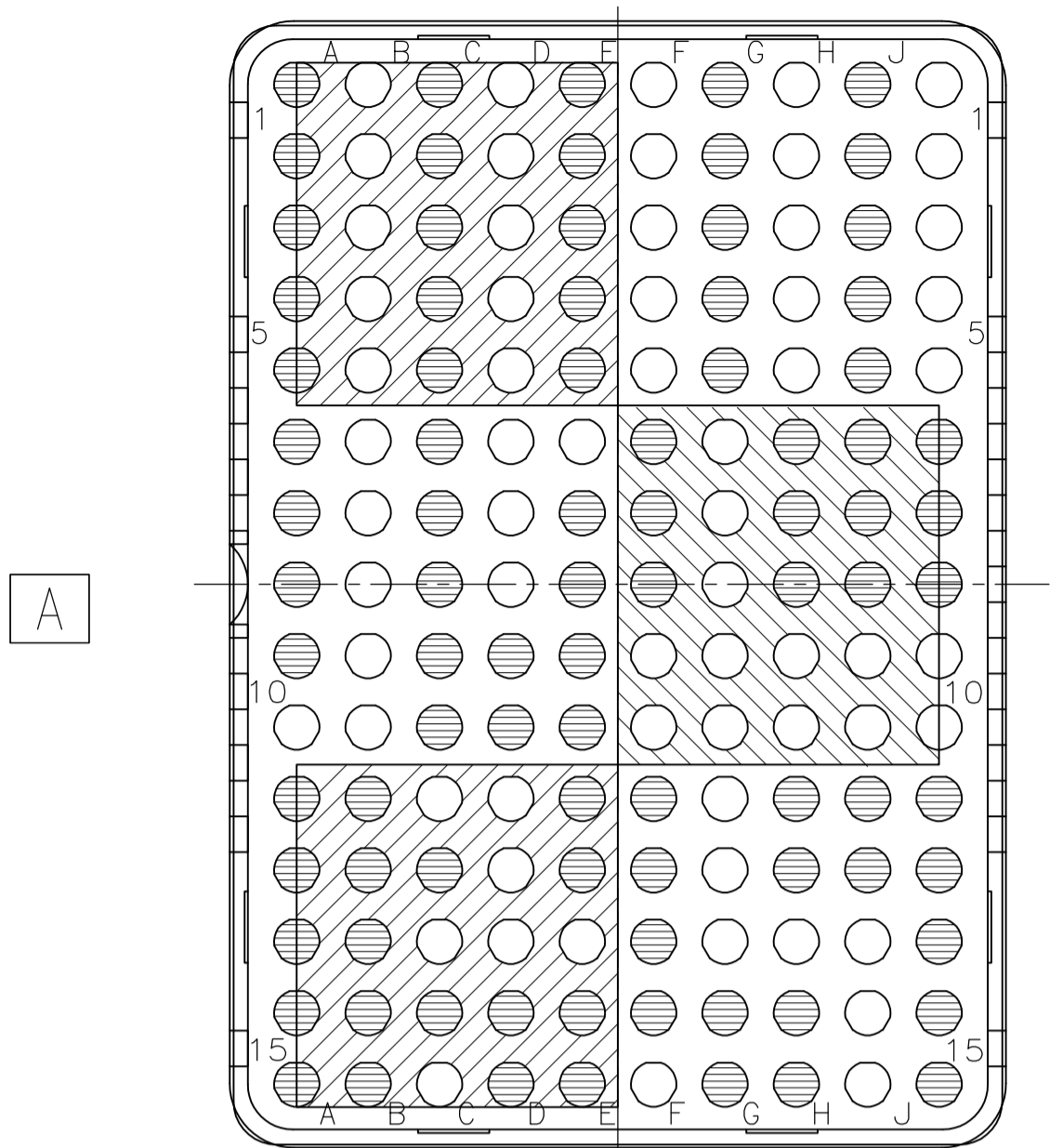
COMPONENT	MATERIAL	FINISH
SHELL	DIE CAST ALUMINUM PER ASTM-B-85	ELECTROLESS NICKEL PER MIL-C-26074
INSERT RETENTION PLATES	ALUMINUM ALLOY PER ASTM-B-209	CHROMATE PER MIL-DTL-5541
SCREWS AND LOCKWASHERS	STEEL OR STAINLESS STEEL	CHROMATE OVER ZINC OR PASSIVATED
POLARIZING KEYS	ZINC ALLOY PER ASTM-B-86	-
POLARIZING KEY RETAINING PLATE	ALUMINUM ALLOY PER ASTM-B-209	BLUE ANODIZED PER MIL-A-8625
INSERTS	THERMOSET OR THERMOPLASTIC PPS PER MIL-M-24519	-

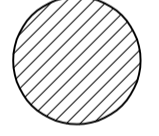
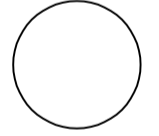
"00"	MODULE A 211431-4 (SZ 22 SOCKET CONTACT; QTY=87)	1757763-1
	MODULE B 211431-4 (SZ 22 SOCKET CONTACT; QTY=60)	
	MODULE C 1-448140-8 (SZ 12 POSTED PIN CONTACT; QTY=5) 1-448139-4 (SZ 16 POSTED PIN CONTACT; QTY=3) 1-448138-2 (SZ 20 POSTED PIN CONTACT; QTY=3)	
KEYING POSITION	CONTACTS INCLUDED AND INSTALLED (NO FILLERS PLUGS INCLUDED OR INSTALLED)	PART NUMBER

THIS DRAWING IS A CONTROLLED DOCUMENT.


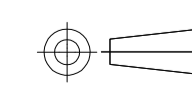
DIMENSIONS: INCHES	TOLERANCES UNLESS OTHERWISE SPECIFIED:	DIN 3-6-09	APVD C.C.THOMAS 3-6-09	Tyco Electronics Corporation Harrisburg, Pa 17105-3608
	0 PLC ± -		NAME K.THACKSTON 3-6-09 PRODUCT SPEC APPLICATION SPEC WEIGHT CUSTOMER DRAWING	RCPT ASSY, SIZE 2, ARINC 600 (150/150/13C2 SPCL) SIZE A1 00779 C=1757763 SCALE 3:2 SHEET 1 OF 2 REV B
	1 PLC ± -			
	2 PLC ± -			
	3 PLC ± -			
MATERIAL SEE TABLE	FINISH SEE TABLE	RESTRICTED TO		

LOC		DIST		REVISIONS			
P	LTR	DESCRIPTION	DATE	DNW	APVD		
-	-	SEE SHEET 1	-	-	-	-	-



 = CONTACT INSTALLED  
 = OPEN

MATING FACE VIEW  
SCALE 4:1

THIS DRAWING IS A CONTROLLED DOCUMENT.		DWN C.C.THOMAS 3-6-09 CHK K.THACKSTON 3-6-09 APVD K.THACKSTON 3-6-09	 Tyco Electronics Corporation Harrisburg, Pa 17105-3608
DIMENSIONS: INCHES 	TOLERANCES UNLESS OTHERWISE SPECIFIED: 0. PLC ± - 1. PLC ± - 2. PLC ± - 3. PLC ± - 4. PLC ± - ANGLES ± -	NAME RCPT ASSY, SIZE 2, ARINC 600 (150/150/13C2 SPCL)	SIZE A1 CAGE CODE 00779 DRAWING NO 1757763 RESTRICTED TO -
MATERIAL SEE TABLE	FINISH SEE TABLE	WEIGHT -	CUSTOMER DRAWING SCALE 3:2 SHEET 2 OF 2 REV B