



Chipsmall Limited consists of a professional team with an average of over 10 year of expertise in the distribution of electronic components. Based in Hongkong, we have already established firm and mutual-benefit business relationships with customers from,Europe,America and south Asia,supplying obsolete and hard-to-find components to meet their specific needs.

With the principle of “Quality Parts,Customers Priority,Honest Operation,and Considerate Service”,our business mainly focus on the distribution of electronic components. Line cards we deal with include Microchip,ALPS,ROHM,Xilinx,Pulse,ON,Everlight and Freescale. Main products comprise IC,Modules,Potentiometer,IC Socket,Relay,Connector.Our parts cover such applications as commercial,industrial, and automotives areas.

We are looking forward to setting up business relationship with you and hope to provide you with the best service and solution. Let us make a better world for our industry!



Contact us

Tel: +86-755-8981 8866 Fax: +86-755-8427 6832

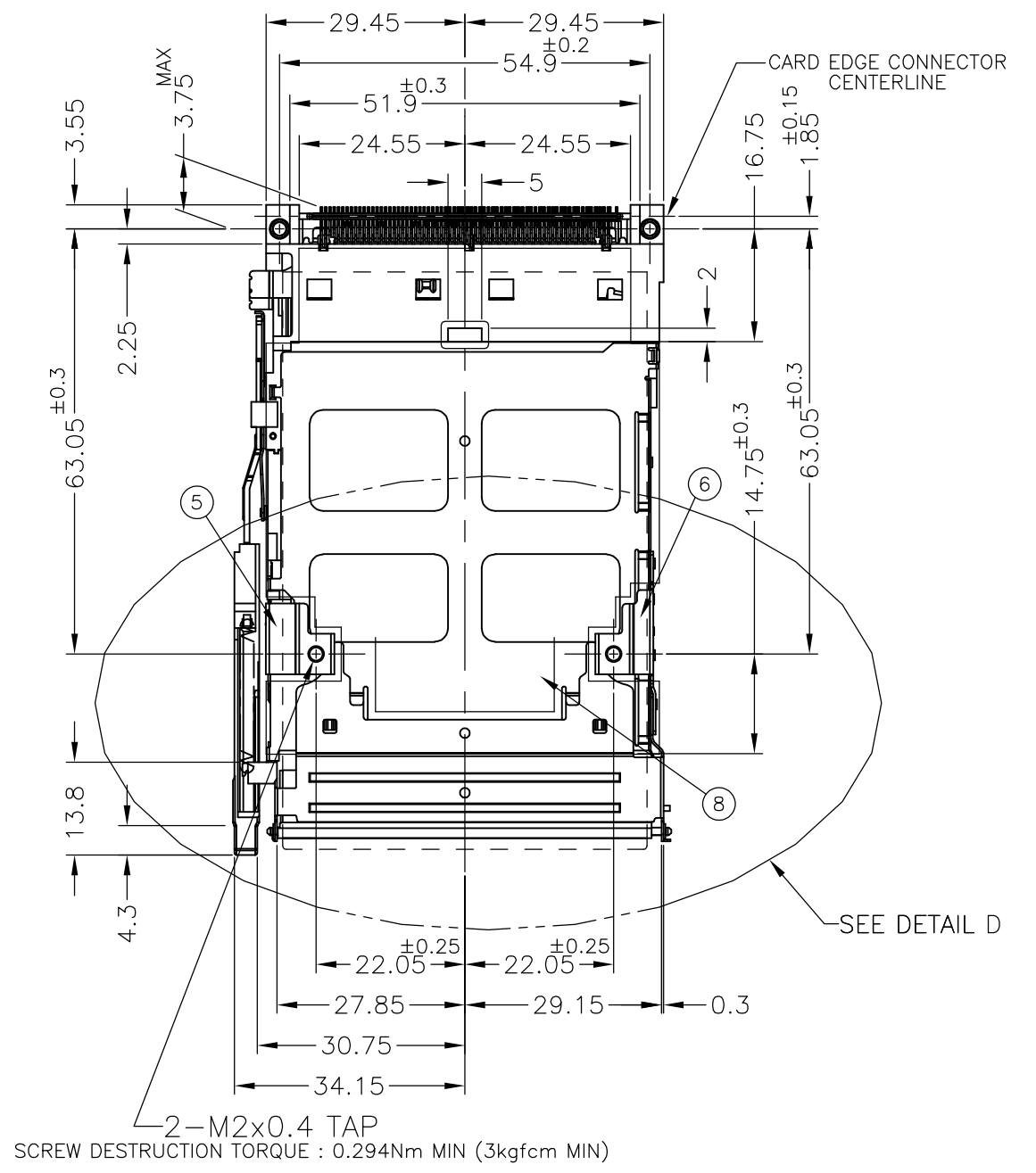
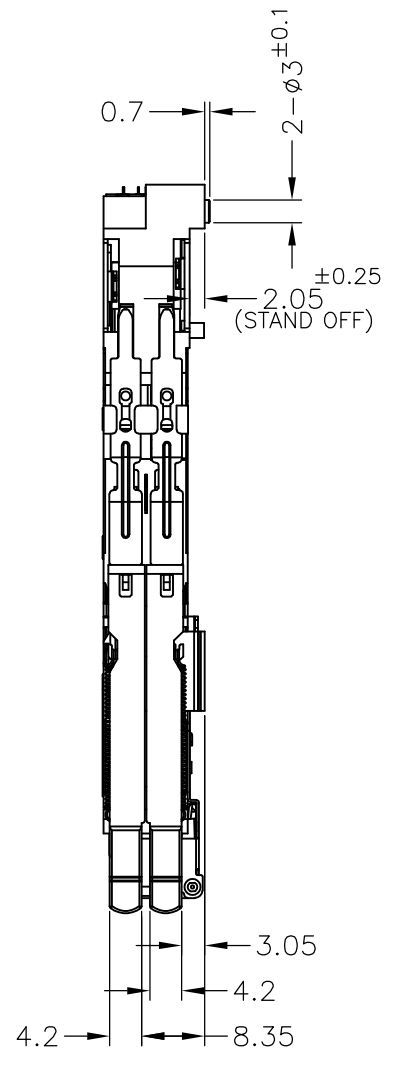
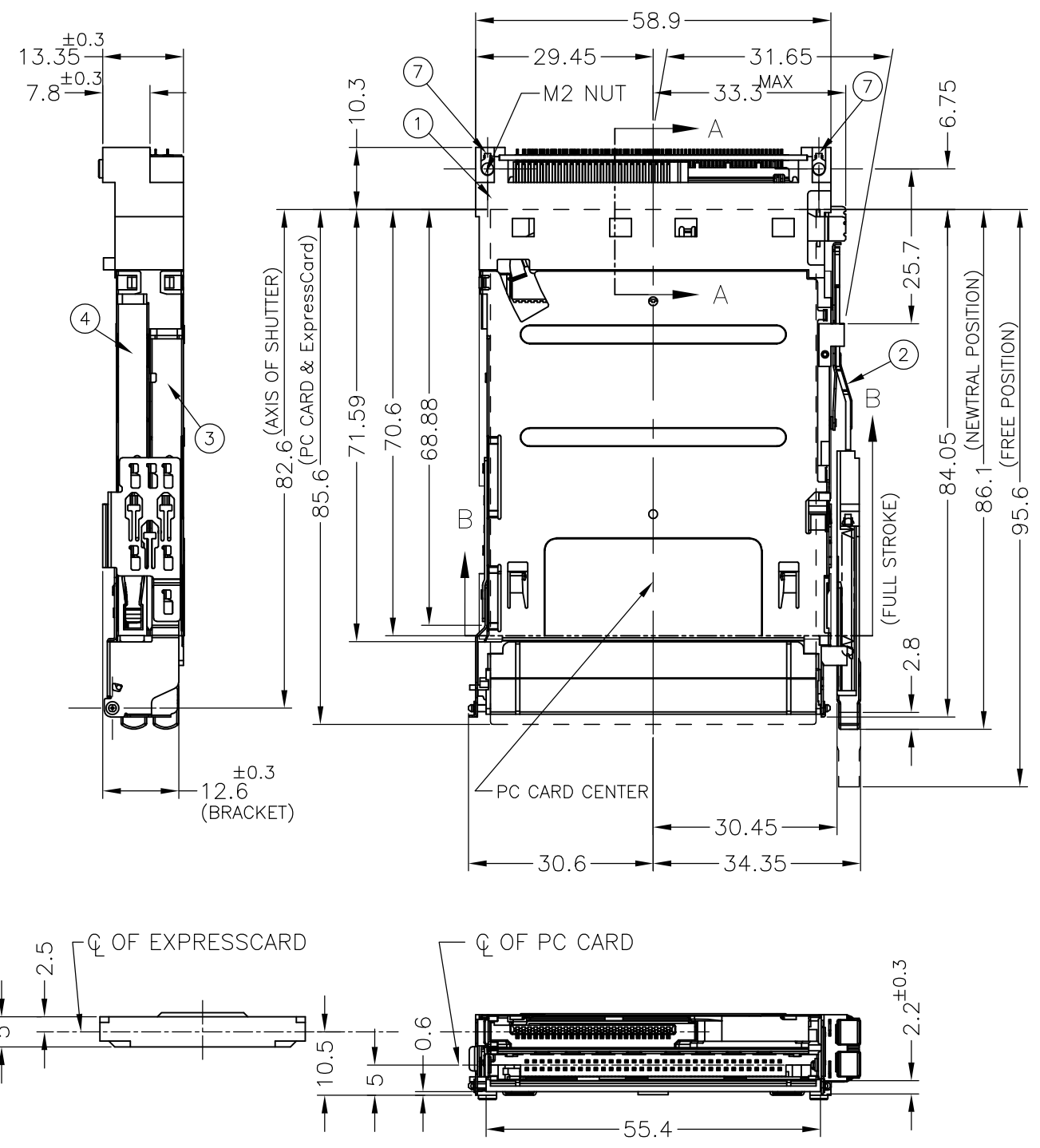
Email & Skype: info@chipsmall.com Web: www.chipsmall.com

Address: A1208, Overseas Decoration Building, #122 Zhenhua RD., Futian, Shenzhen, China



THIS DRAWING IS UNPUBLISHED. RELEASED FOR PUBLICATION
 © COPYRIGHT BY TYCO ELECTRONICS CORPORATION. ALL RIGHTS RESERVED.

LOC	DIST	REVISIONS			DATE	DWN	APVD
		P	LTR	DESCRIPTION			
—	—	A	RELEASED	30APR08	S.H	H.K	



1759323-1 : AS SHOWN

QTY	NAME	ITEM
1	INSULATION SHEET	⑧
2	NUT (M2x0.4)	⑦
1	BRACKET (L)	⑥
1	BRACKET (R)	⑤
1	LOWER SHELL	④
1	UPPER SHELL	③
1	PUSH-PUSH SUB ASSY	②
1	HEADER ASSY (TOP TYPE, RIGHT BUTTON)	①

THIS DRAWING IS A CONTROLLED DOCUMENT.	
DIMENSIONS: mm	TOLERANCES UNLESS OTHERWISE SPECIFIED:
	0 PLC ± 0.5
	1 PLC ± 0.5
	2 PLC ± 0.5
	3 PLC ± 0.5
	4 PLC ± 0.5
	ANGLES ± 3°
MATERIAL	FINISH

DWN	30APR2008	Tyco Electronics Corporation Taipei, Taiwan
CHK	30APR2008	
APVD	30APR2008	
PRODUCT SPEC		
NAME		CARDBUS-EXPRESS CARD CONNECTOR TOP MOUNT TYPE PUSH-PUSH RIGHT BUTTON
SIZE	CAGE CODE	
DRAWING NO		RESTRICTED TO
WEIGHT		
CUSTOMER DRAWING		SCALE
		SHEET
		REV

4

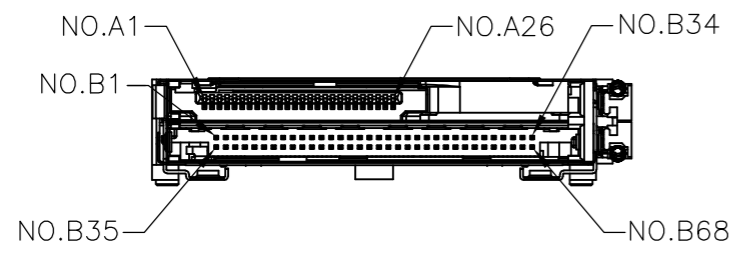
3

2

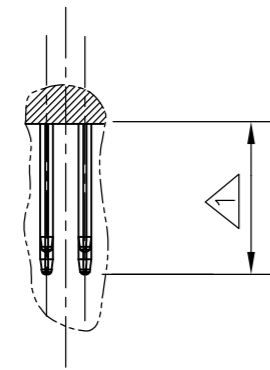
1

THIS DRAWING IS UNPUBLISHED. RELEASED FOR PUBLICATION
 © COPYRIGHT BY TYCO ELECTRONICS CORPORATION. ALL RIGHTS RESERVED.

LOC	DIST	REVISIONS					
		P	LTR	DESCRIPTION	DATE	DWN	APVD
—	—	—	—	SEE SHEET 1	—	—	—



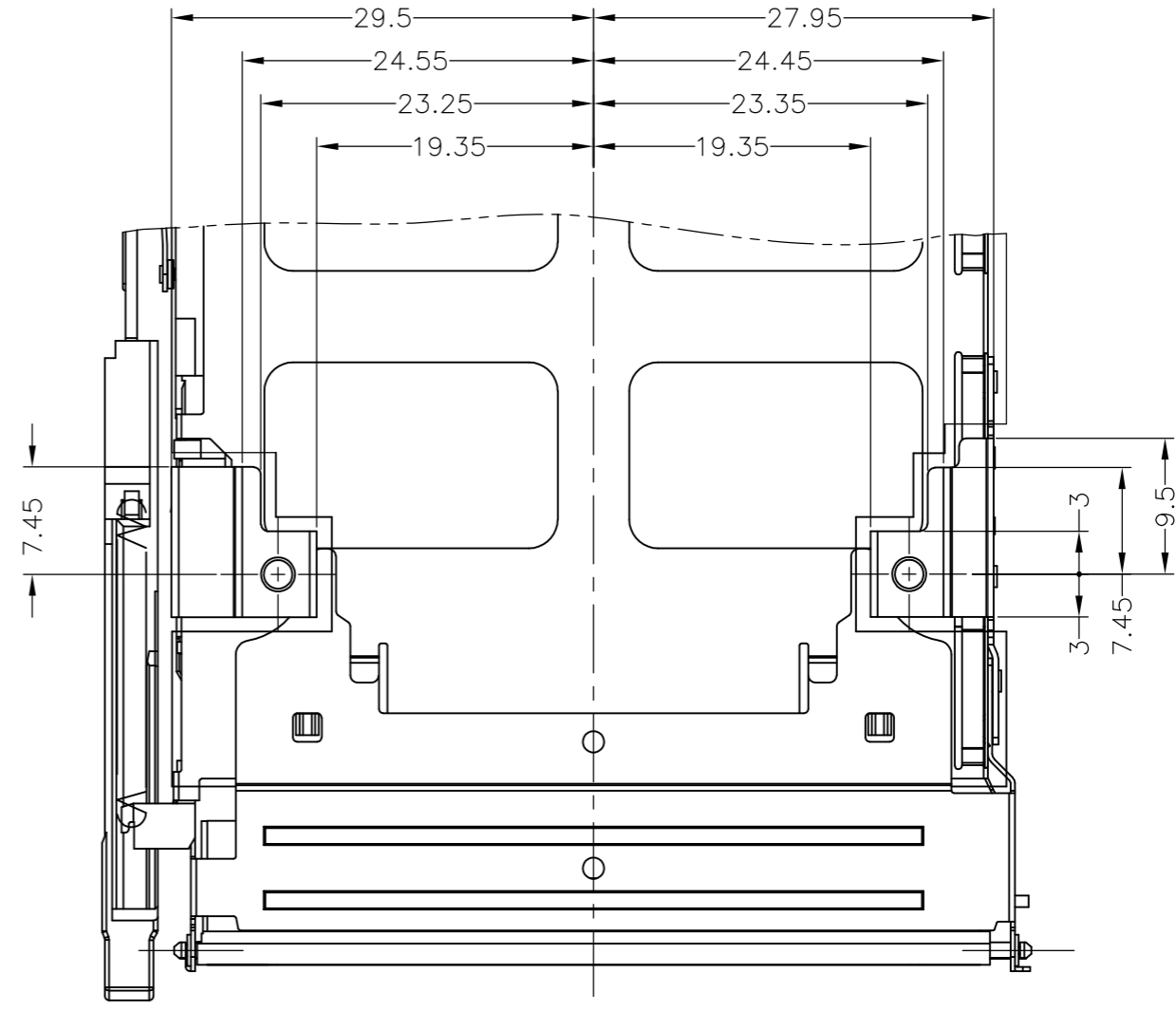
B-B



A-A
 SCALE 4:1
 (PC CARD SLOT)

TABLE-1

POST LENGTH	5	3.5	4.25
CIRCUIT NO.	1,17,34,35,51,68	36,67	OTHERS

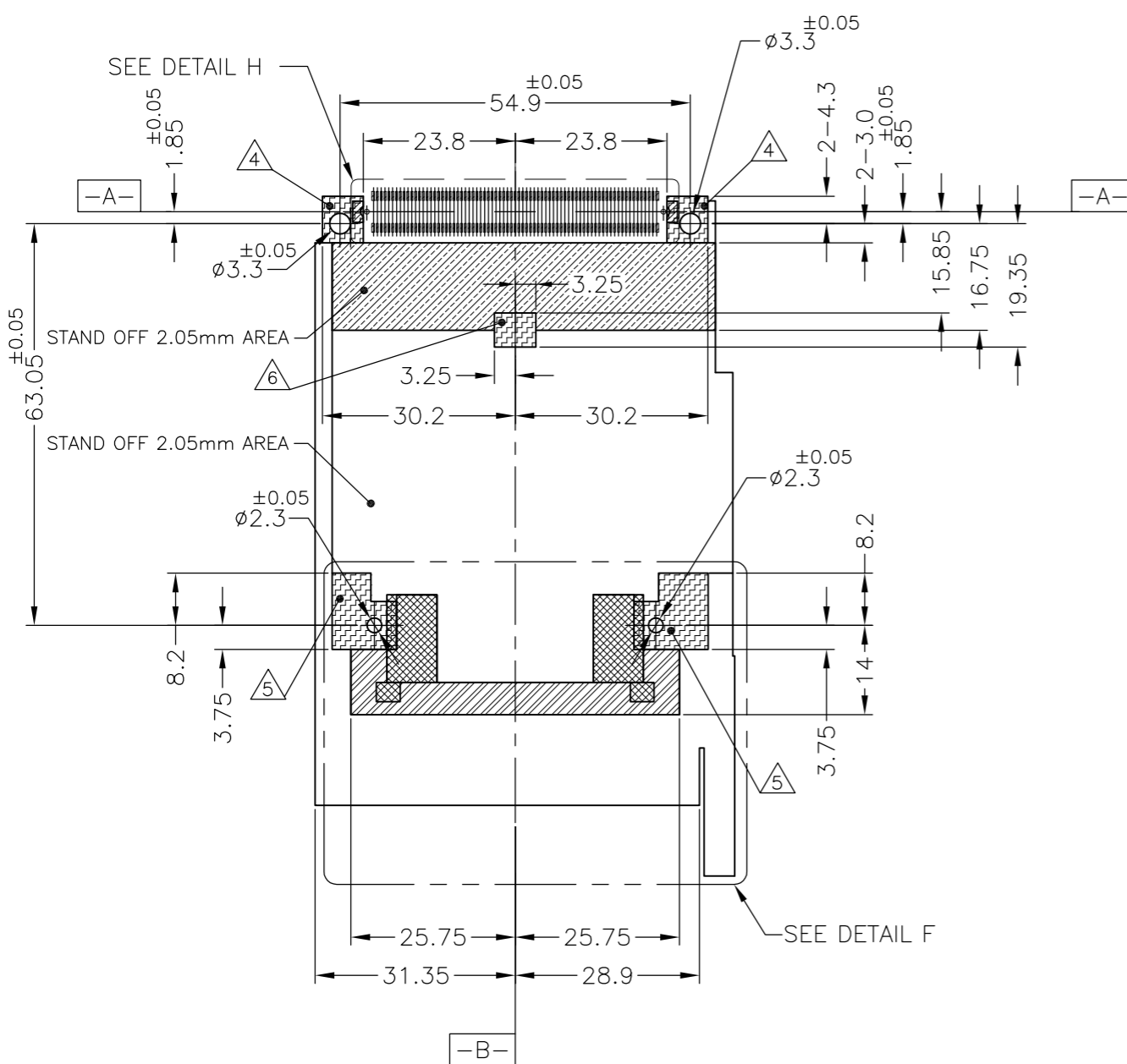


DETAIL D
 SCALE 2:1

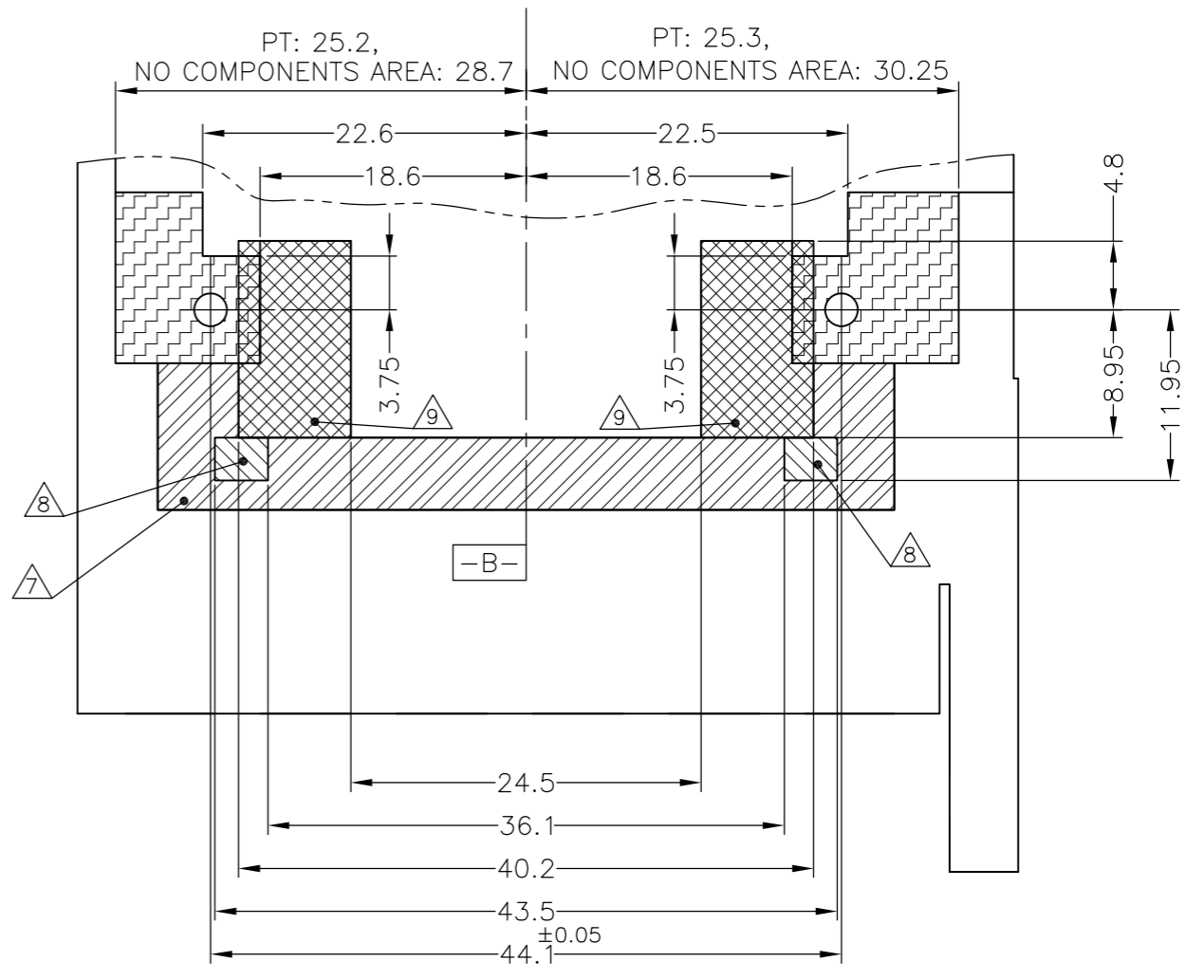
THIS DRAWING IS A CONTROLLED DOCUMENT.		DWN	Tyco Electronics Corporation Taipei, Taiwan		
DIMENSIONS: mm		CHK	NAME		
TOLERANCES UNLESS OTHERWISE SPECIFIED:		APVD	CARDBUS-EXPRESS CARD CONNECTOR TOP MOUNT TYPE PUSH-PUSH RIGHT BUTTON		
0 PLC ± 0.5 1 PLC ± 0.5 2 PLC ± 0.5 3 PLC ± 0.5 4 PLC ± 0.5 ANGLES ± 3'		PRODUCT SPEC	SIZE	CAGE CODE	DRAWING NO
MATERIAL		APPLICATION SPEC	A3	00779	C-1759323
FINISH		WEIGHT	RESTRICTED TO		
CUSTOMER DRAWING			SCALE	SHEET	REV
			1:1	2 OF 4	A

THIS DRAWING IS UNPUBLISHED. RELEASED FOR PUBLICATION
 © COPYRIGHT BY TYCO ELECTRONICS CORPORATION. ALL RIGHTS RESERVED.

LOC	DIST	REVISIONS					
		P	LTR	DESCRIPTION	DATE	DWN	APVD
-	-	-	-	SEE SHEET 1	-	-	-



APPLICABLE P.C. BOARD LAYOUT
(VIEW FROM CONNECTOR MOUNTING SIDE)



DETAIL F
(SCALE 2:1)

- 1 REFER TO TABLE 1 FOR POST CONTACT LENGTH.
- 2 RECOMMENDED TIGHTENING TORQUE : FROM 0.15N·m (1.5kg·cm) TO 0.2N·m (2kg·cm)
- 3 APPLIED CARD: PCMCIA ATTRIBUTE PC CARD.
- 4 NO ELECTRONICS COMPONENTS. (NO SIGNAL LINE AREA)
- 5 GROUNDING PAD.
- 6 NO COMPONENT AREA.
- 7 STAND OFF 1.95mm AREA. [diagonal hatching]
- 8 STAND OFF 1.75mm AREA. [cross-hatching]
- 9 STAND OFF 1.65mm AREA. [stippled]
- 10 PRODUCT SPEC:
PCMCIA CARD CONNECTOR: 108-78192
EXPRESS CARD CONNECTOR: 108-5923

THIS DRAWING IS A CONTROLLED DOCUMENT.		DWN		Tyco Electronics Tyco Electronics Corporation	
DIMENSIONS: mm		CHK		Taipei, Taiwan	
TOLERANCES UNLESS OTHERWISE SPECIFIED:		APVD		NAME	
0 PLC ± 0.5		PRODUCT SPEC		CARDBUS-EXPRESS CARD CONNECTOR	
1 PLC ± 0.5		APPLICATION SPEC		TOP MOUNT TYPE	
2 PLC ± 0.5		WEIGHT		PUSH-PUSH RIGHT BUTTON	
3 PLC ± 0.5		SIZE		RESTRICTED TO	
4 PLC ± 0.5		CAGE CODE		A3 00779	
ANGLES ± 3'		DRAWING NO		C-1759323	
MATERIAL		CUSTOMER DRAWING		SCALE 1:1	
FINISH		SHEET 3 OF 4		REV A	

