



Chipsmall Limited consists of a professional team with an average of over 10 year of expertise in the distribution of electronic components. Based in Hongkong, we have already established firm and mutual-benefit business relationships with customers from,Europe,America and south Asia,supplying obsolete and hard-to-find components to meet their specific needs.

With the principle of “Quality Parts,Customers Priority,Honest Operation,and Considerate Service”,our business mainly focus on the distribution of electronic components. Line cards we deal with include Microchip,ALPS,ROHM,Xilinx,Pulse,ON,Everlight and Freescale. Main products comprise IC,Modules,Potentiometer,IC Socket,Relay,Connector.Our parts cover such applications as commercial,industrial, and automotives areas.

We are looking forward to setting up business relationship with you and hope to provide you with the best service and solution. Let us make a better world for our industry!



## Contact us

Tel: +86-755-8981 8866 Fax: +86-755-8427 6832

Email & Skype: info@chipsmall.com Web: www.chipsmall.com

Address: A1208, Overseas Decoration Building, #122 Zhenhua RD., Futian, Shenzhen, China



4

3

2

1

THIS DRAWING IS UNPUBLISHED.

RELEASED FOR PUBLICATION

ALL RIGHTS RESERVED.

© COPYRIGHT - By -

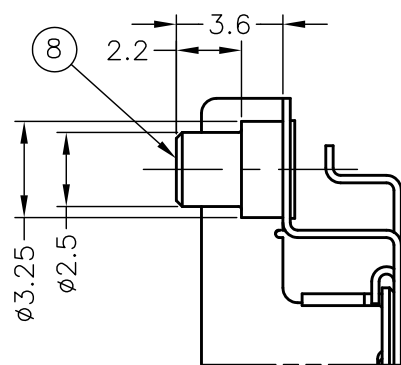
LOC DW

DIST

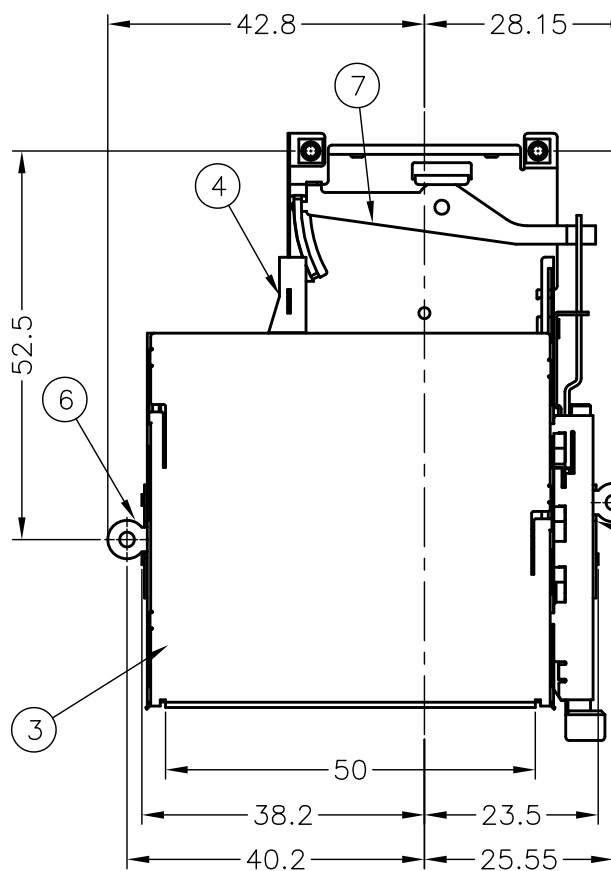
REVISIONS

P	LTR	DESCRIPTION	DATE	DWN	APVD
D1		REVISED (ECR-13-008834)	11SEP2013	B.W	H.K

-3 : AS SHOWN



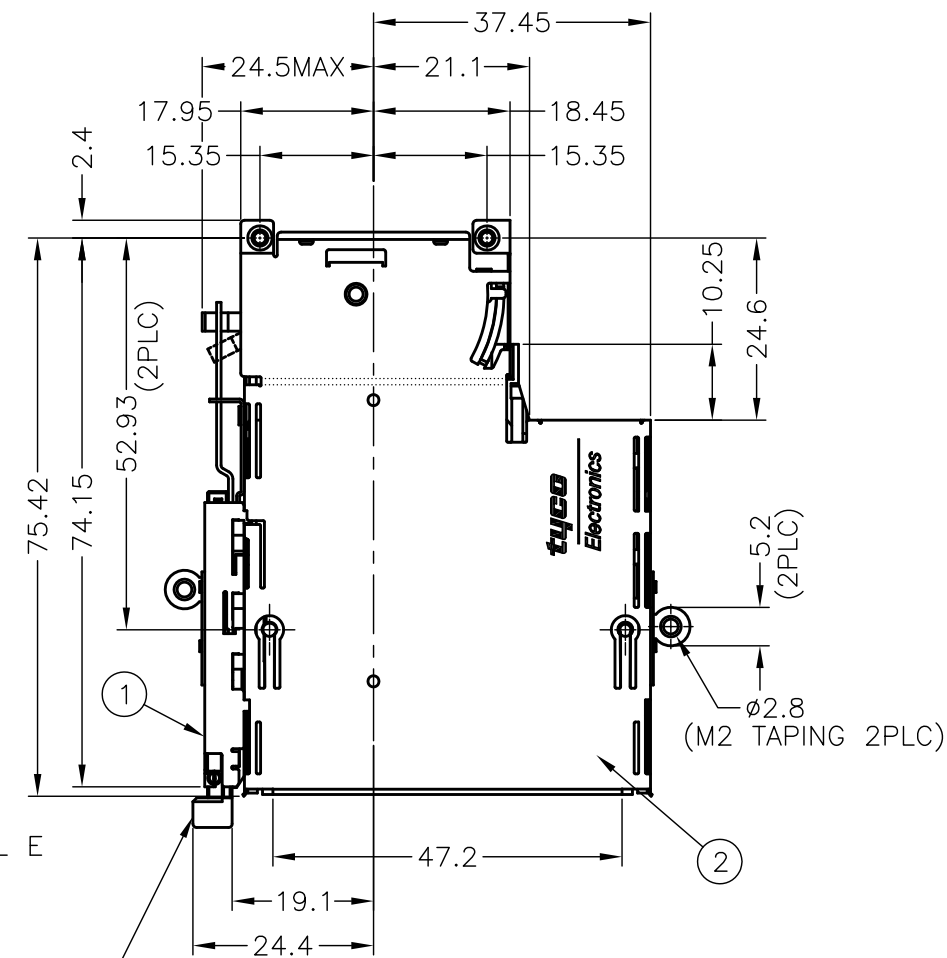
DETAIL C (SCALE 4:1)



SEE DETAIL C

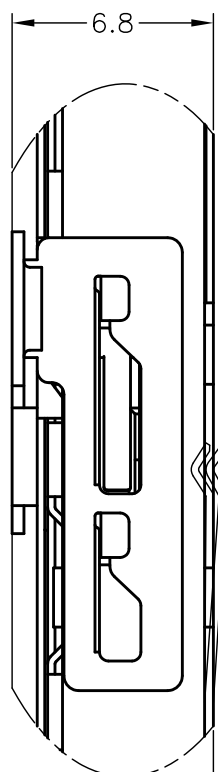
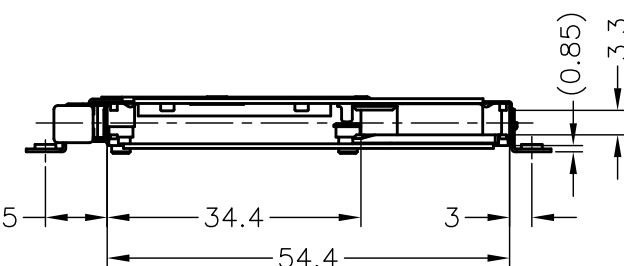
SEE DETAIL D

SEE DETAIL E



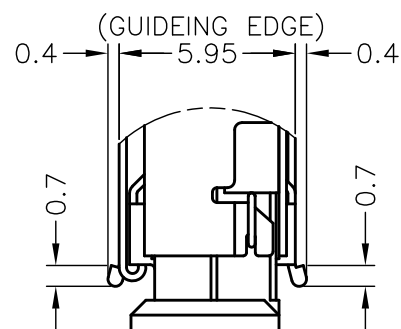
tyco Electronics

BUTTON COLOR:  
GRAY(1759880-1)  
BLACK(1759880-3)




0.43MAX (AFTER CARD INSERTED)

DETAIL D (SCALE 4:1)



DETAIL E (SCALE 4:1)

THIS DRAWING IS A CONTROLLED DOCUMENT.		DWN S.WATANABE 15AUG07	 TE Connectivity	
		CHK J.CHIANG 15AUG07		
		APVD H. KODAMA 15AUG07	NAME	
DIMENSIONS: mm		PRODUCT SPEC	EXPRESS CARD CONNECTOR SHIELD FRAME ASSEMBLY, TOP MOUNT	
TOLERANCES UNLESS OTHERWISE SPECIFIED:		APPLICATION SPEC	RESTRICTED TO	
0 PLC ± 0.3		WEIGHT 18GRAM	SIZE A3	CAGE CODE 00779
1 PLC ± 0.25		CUSTOMER DRAWING	DRAWING NO. 1759880	REV D1
2 PLC ± 0.25			SCALE 1:1	SHEET 1 OF 4
3 PLC ± -				
4 PLC ± -				
ANGLES ± 1°				
MATERIAL				
FINISH				

4

3

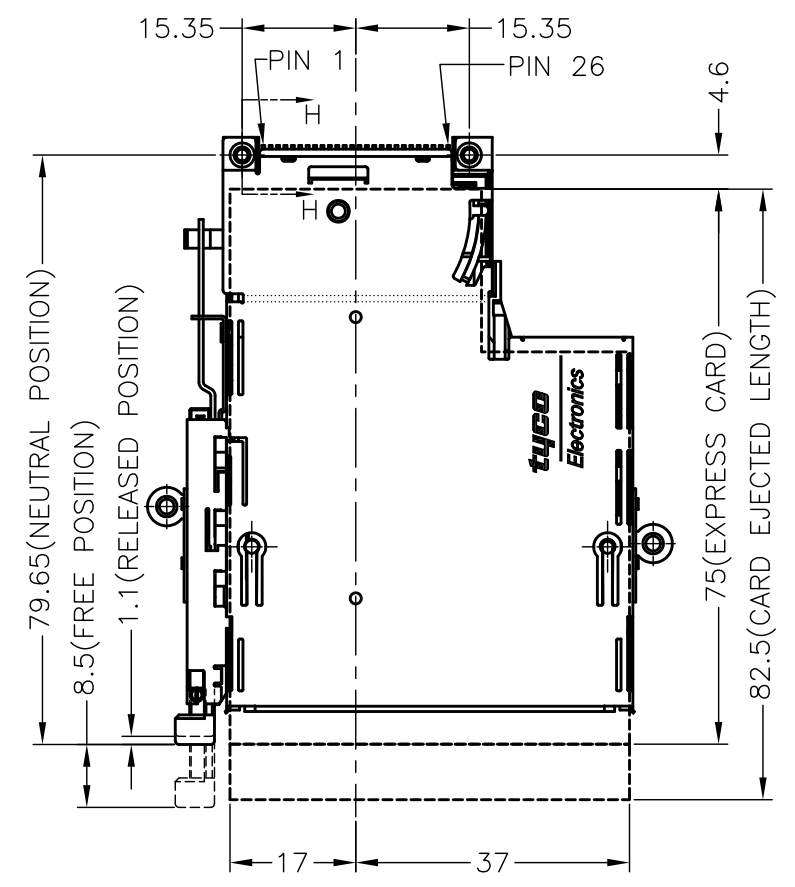
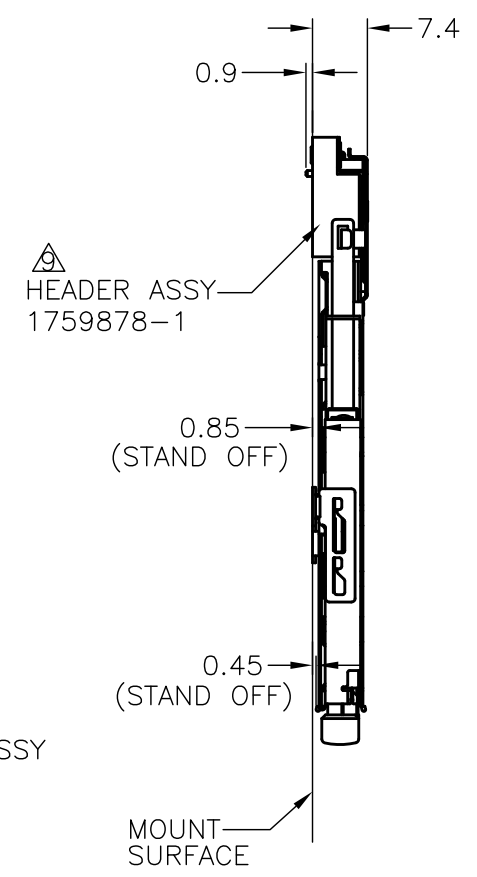
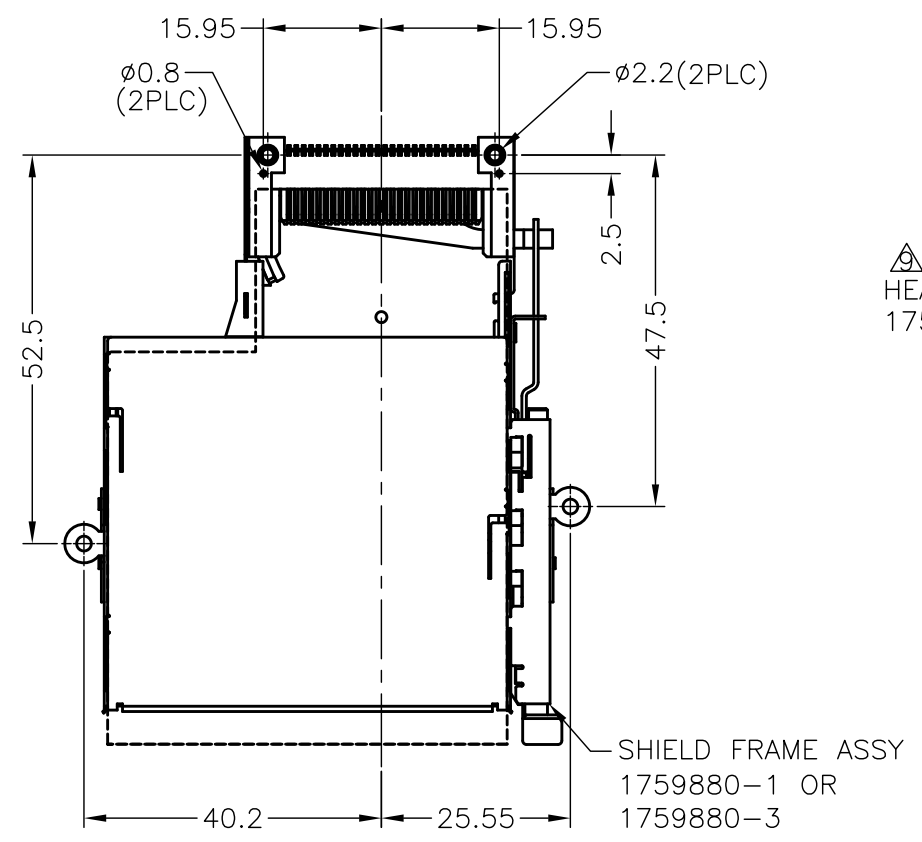
2

1

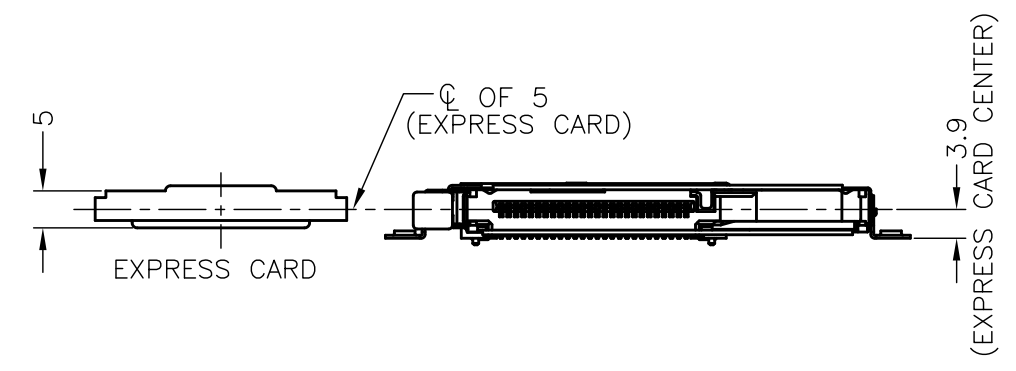
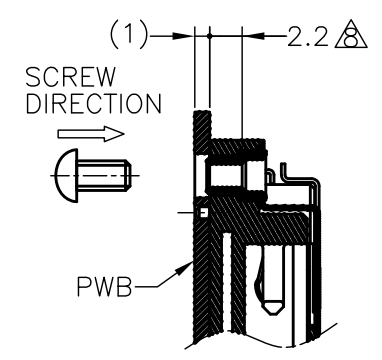
THIS DRAWING IS UNPUBLISHED. RELEASED FOR PUBLICATION  
 © COPYRIGHT - By - ALL RIGHTS RESERVED.

LOC	DIST	REVISIONS			
P	LTR	DESCRIPTION	DATE	DWN	APVD
-	-	SEE SHEET 1	-	-	-

-3 : AS SHOWN



REFERENCE FIGURE WHICH ATTACHED HEADER ASSEMBLY

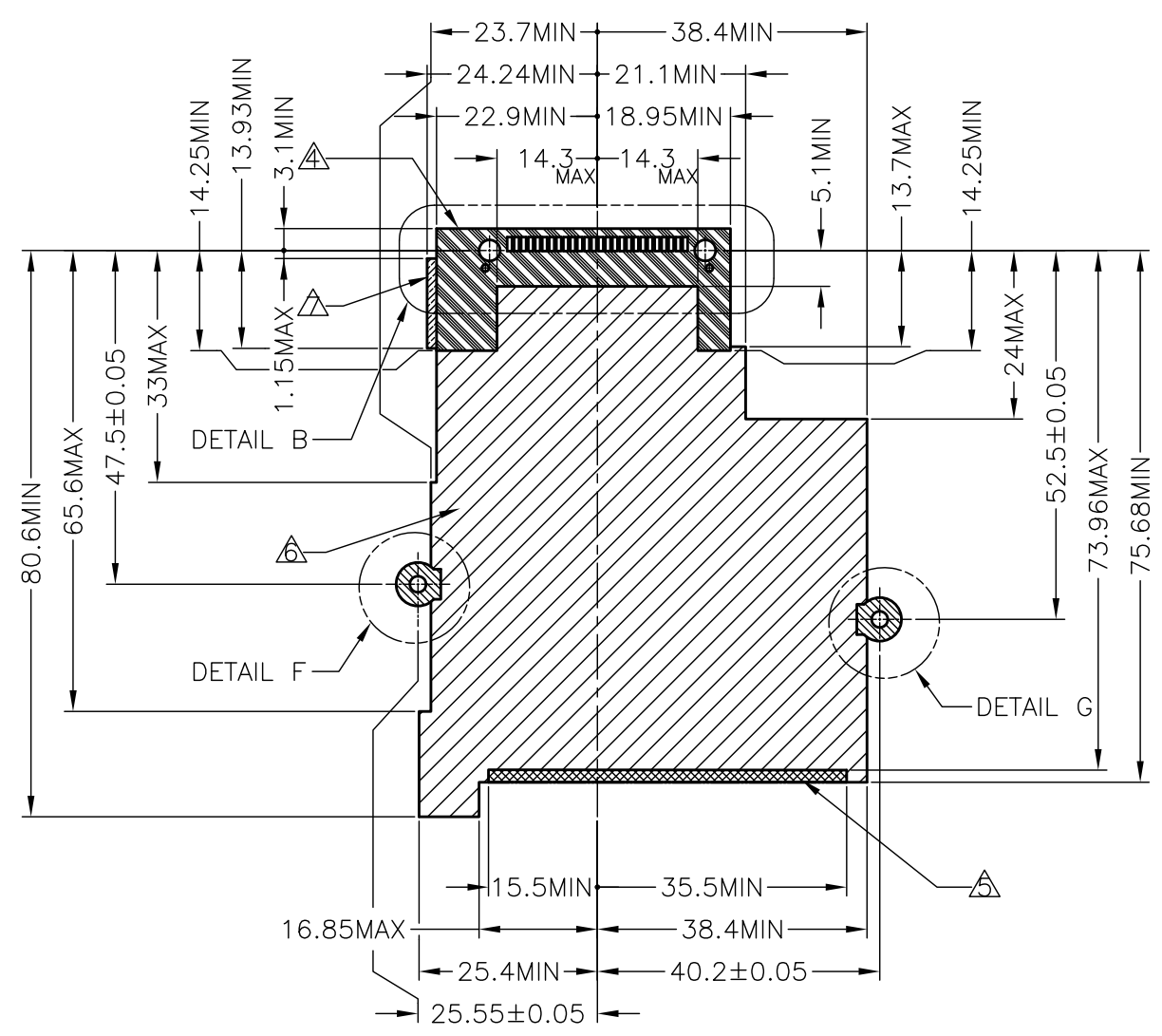


THIS DRAWING IS A CONTROLLED DOCUMENT.		DWN		TE Connectivity	
DIMENSIONS: mm		CHK			
TOLERANCES UNLESS OTHERWISE SPECIFIED:		APVD		NAME	
0 PLC ± 0.3 1 PLC ± 0.25 2 PLC ± 0.25 3 PLC ± - 4 PLC ± - ANGLES ± 1°		PRODUCT SPEC		EXPRESS CARD CONNECTOR SHIELD FRAME ASSEMBLY, TOP MOUNT	
MATERIAL		FINISH		SIZE	
				CAGE CODE	
				DRAWING NO	
				RESTRICTED TO	
				A3 00779	
				1759880	
		CUSTOMER DRAWING		SCALE 1:1	
				SHEET 2 OF 4	
				REV D1	

THIS DRAWING IS UNPUBLISHED. RELEASED FOR PUBLICATION  
 © COPYRIGHT - By - ALL RIGHTS RESERVED.

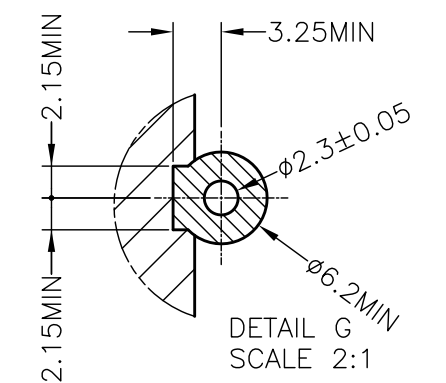
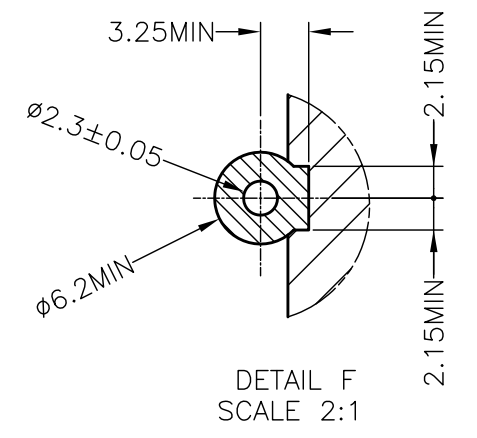
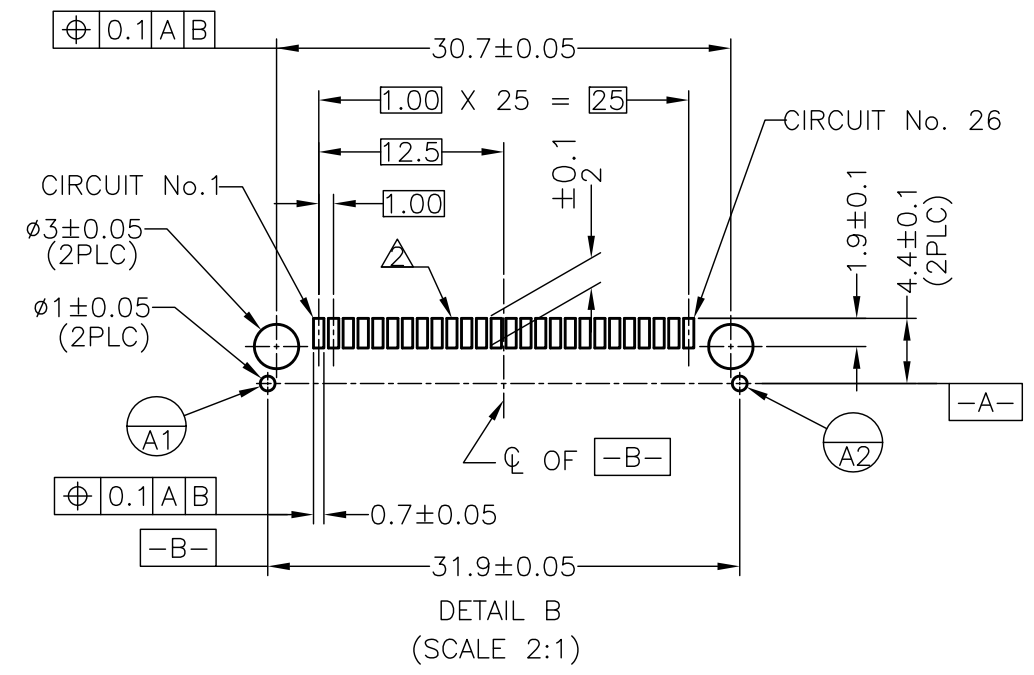
LOC	DIST	REVISIONS					
DW		P	LTR	DESCRIPTION	DATE	DWN	APVD
		-	-	SEE SHEET 1	-	-	-

-3 : AS SHOWN



RECOMMEND PWB LAYOUT

- NOTES:
- RECOMMENDED TIGHTENING TORQUE 0.15~0.2Nm
  - SOLDERING PAD
  - GROUNDING PAD
  - NO COMPONENT AND NO SIGNAL LINE AREA
  - STAND OFF 0.45mm
  - STAND OFF 0.85mm
  - STAND OFF 3.25mm
  - M2 SCREW LENGTH
  - HEADER ASS'Y, 1759878-1, PURCHASED SEPARATELY



OBSOLETE

⑧	BUSH (M2X0.4 TAP)	STAINLESS STELL				2	
⑦	ARM BAR	STAINLESS STELL				1	
⑥	BRACKET (R) (M2X0.4 TAP)	STAINLESS STELL				1	
⑤	BRACKET (L) (M2X0.4 TAP)	STAINLESS STELL				1	
④	GUIDE RAIL HSG	THERMOPLASTIC (UL94 V-0)	BLACK	BLACK	BLACK	1	
③	LOWER SHELL	STAINLESS STELL				1	
②	UPPER SHELL	STAINLESS STELL				1	
①	PUSH PUSH ASSY	STAINLESS STELL				1	
		THERMOPLASTIC (UL94 V-0)	BLACK	GRAY	GRAY		
ITEM	NAME	MATERIAL	FINISH	1759880-3	1759880-2	1759880-1	Q'TY
				COLOR			

THIS DRAWING IS A CONTROLLED DOCUMENT.

DIMENSIONS: mm

TOLERANCES UNLESS OTHERWISE SPECIFIED:

0 PLC	± 0.3
1 PLC	± 0.25
2 PLC	± 0.25
3 PLC	± -
4 PLC	± -
ANGLES	± 1°

MATERIAL FINISH

STE TE Connectivity

NAME: EXPRESS CARD CONNECTOR SHIELD FRAME ASSEMBLY, TOP MOUNT

SIZE: A3 CAGE CODE: 00779 DRAWING NO: 1759880 RESTRICTED TO: -

CUSTOMER DRAWING SCALE: 1:1 SHEET: 3 OF 4 REV: D1



4

3

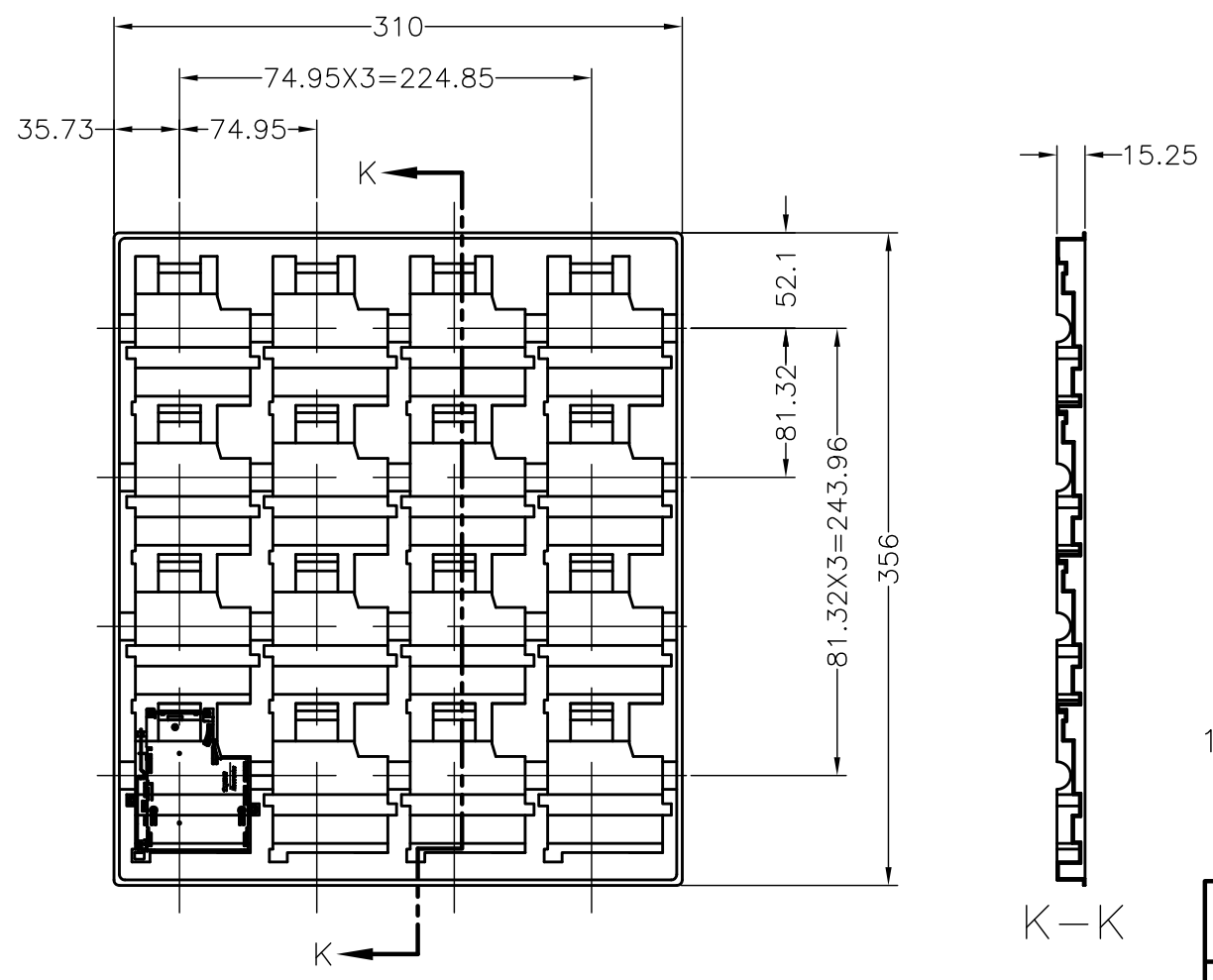
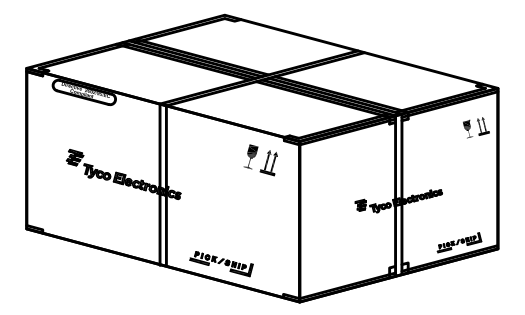
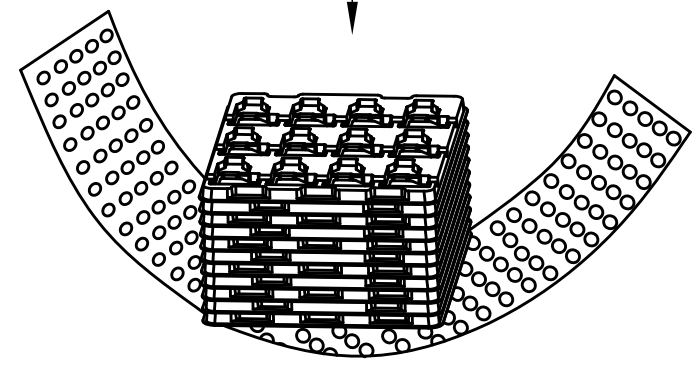
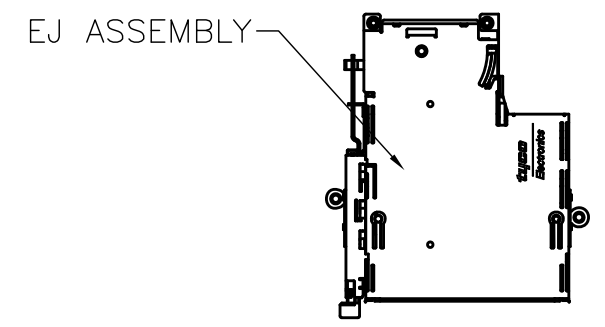
2

1

THIS DRAWING IS UNPUBLISHED. RELEASED FOR PUBLICATION  
 © COPYRIGHT - By - ALL RIGHTS RESERVED.

LOC	DIST	REVISIONS				
P	LTR	DESCRIPTION	DATE	DWN	APVD	
DW	/	SEE SHEET 1	-	-	-	

-3 : AS SHOWN



10. PACKING MATERIAL :  
 TRAY : PS  
 SHIPPING CARTON : CORRUGATED FIBERBOARD

16	10	160
PCS/TRAY	TRAY/CARTON	TOTAL QTY

THIS DRAWING IS A CONTROLLED DOCUMENT.		DWN		<b>STE</b> TE Connectivity	
DIMENSIONS: mm		CHK			
TOLERANCES UNLESS OTHERWISE SPECIFIED:		APVD		NAME	
0 PLC ± 2		PRODUCT SPEC		EXPRESS CARD CONNECTOR SHIELD FRAME ASSEMBLY, TOP MOUNT	
1 PLC ± 1		APPLICATION SPEC		SIZE CAGE CODE DRAWING NO RESTRICTED TO	
2 PLC ± 1		WEIGHT		A3 00779 C-1759880	
3 PLC ± -		CUSTOMER DRAWING		SCALE 1:1 SHEET 4 OF 4 REV D1	
4 PLC ± -					
ANGLES ± 3'					
MATERIAL					
FINISH					