



Chipsmall Limited consists of a professional team with an average of over 10 year of expertise in the distribution of electronic components. Based in Hongkong, we have already established firm and mutual-benefit business relationships with customers from,Europe,America and south Asia,supplying obsolete and hard-to-find components to meet their specific needs.

With the principle of "Quality Parts,Customers Priority,Honest Operation,and Considerate Service",our business mainly focus on the distribution of electronic components. Line cards we deal with include Microchip,ALPS,ROHM,Xilinx,Pulse,ON,Everlight and Freescale. Main products comprise IC,Modules,Potentiometer,IC Socket,Relay,Connector.Our parts cover such applications as commercial,industrial, and automotives areas.

We are looking forward to setting up business relationship with you and hope to provide you with the best service and solution. Let us make a better world for our industry!



Contact us

Tel: +86-755-8981 8866 Fax: +86-755-8427 6832

Email & Skype: info@chipsmall.com Web: www.chipsmall.com

Address: A1208, Overseas Decoration Building, #122 Zhenhua RD., Futian, Shenzhen, China



4

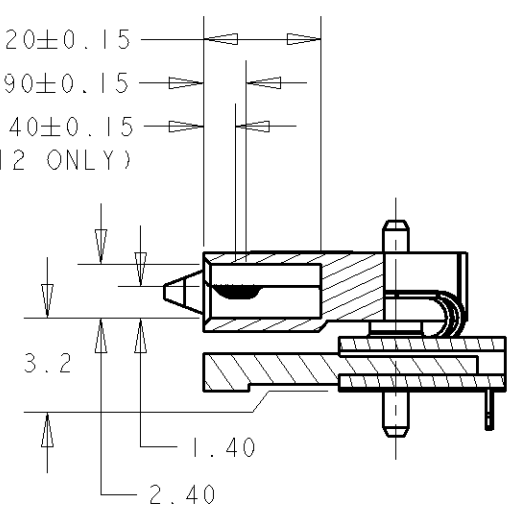
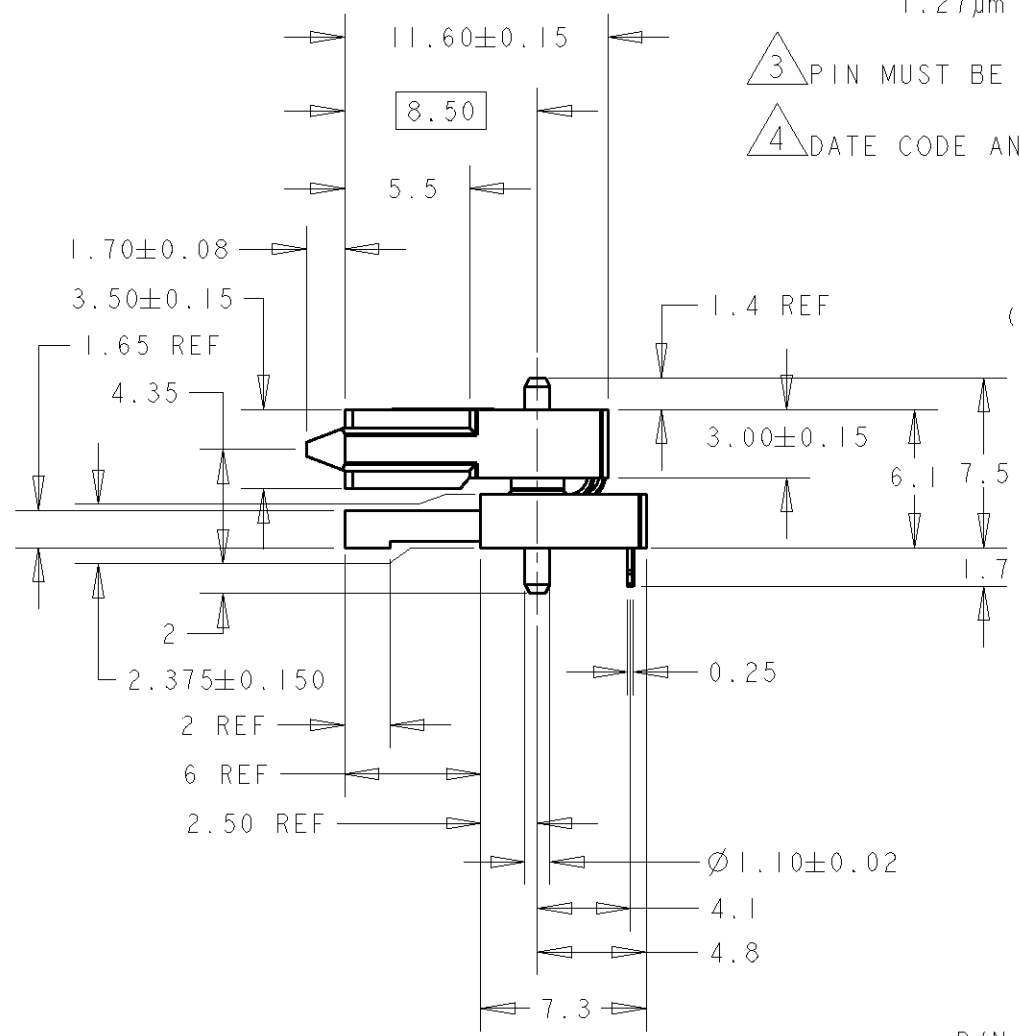
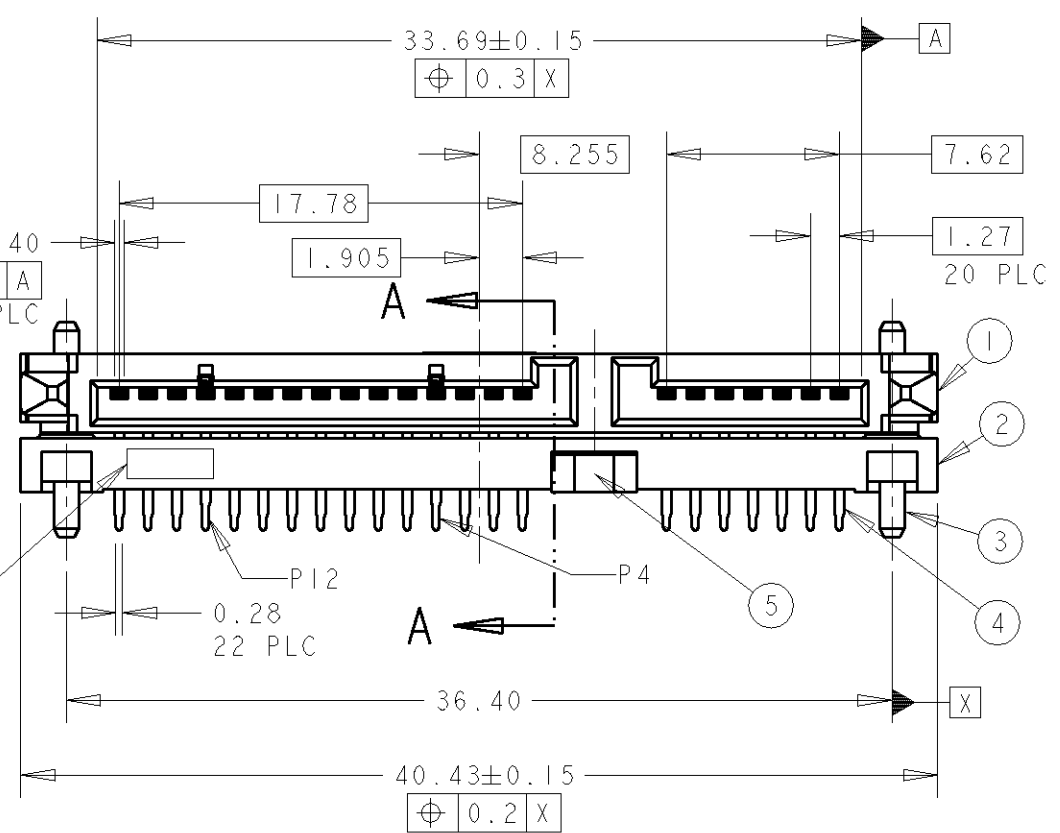
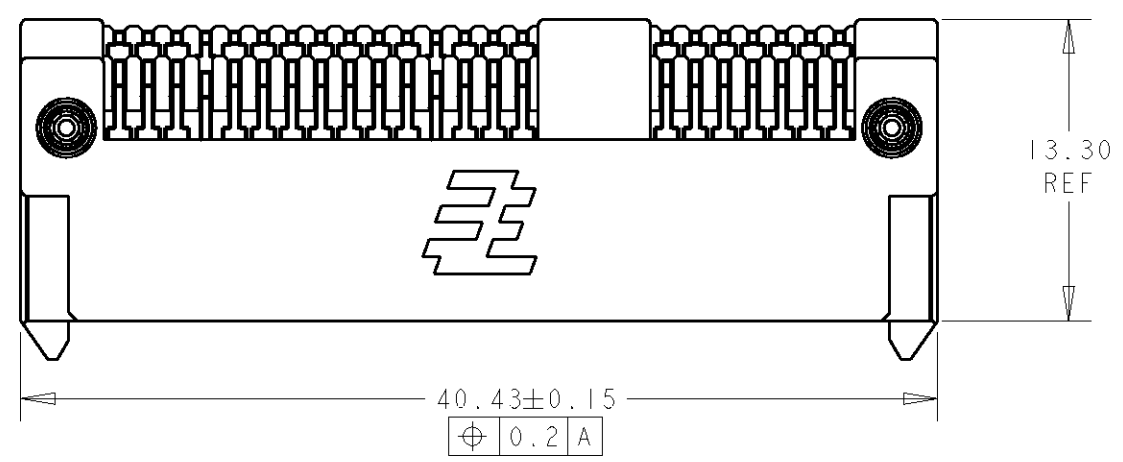
3

2

1

THIS DRAWING IS UNPUBLISHED. RELEASED FOR PUBLICATION .19
 © COPYRIGHT 19 BY AMP INCORPORATED. ALL RIGHTS RESERVED.

LOC	DIST	REVISIONS					
		P	LTR	DESCRIPTION	DATE	DWN	APVD
DY	-		AI	REVISED ECR-08-012045	13MAY08	JC	TAP



1 MATERIAL:
 HOUSING: THERMOPLASTIC HIGH TEMP., UL94V-0, COLOR: BLACK
 CONTACT: PHOSPHOR BRONZE
 PIN: BRASS
 CAP: THERMOPLASTIC HIGH TEMP., UL94V-0, COLOR: BLACK
 EMBOSS TAPE: PS, COLOR: CLEAR
 COVER TAPE: PET

2 FINISH:
 CONTACT:
 CONTACT AREA: $0.2 \mu\text{m}$ Au PL.
 $1.27 \mu\text{m}$ NICKEL UNDER PL. ALL OVER
 SOLDERING AREA: $2-5 \mu\text{m}$ MATTE TIN PL.
 $1.27 \mu\text{m}$ NICKEL UNDER PL. ALL OVER
 PIN: $2-5 \mu\text{m}$ MATTE TIN PL. ALL OVER
 $1.27 \mu\text{m}$ NICKEL UNDER PL. ALL OVER

3 PIN MUST BE SOLDERED WITH PCB
 4 DATE CODE AND ASSY MACHINE ID

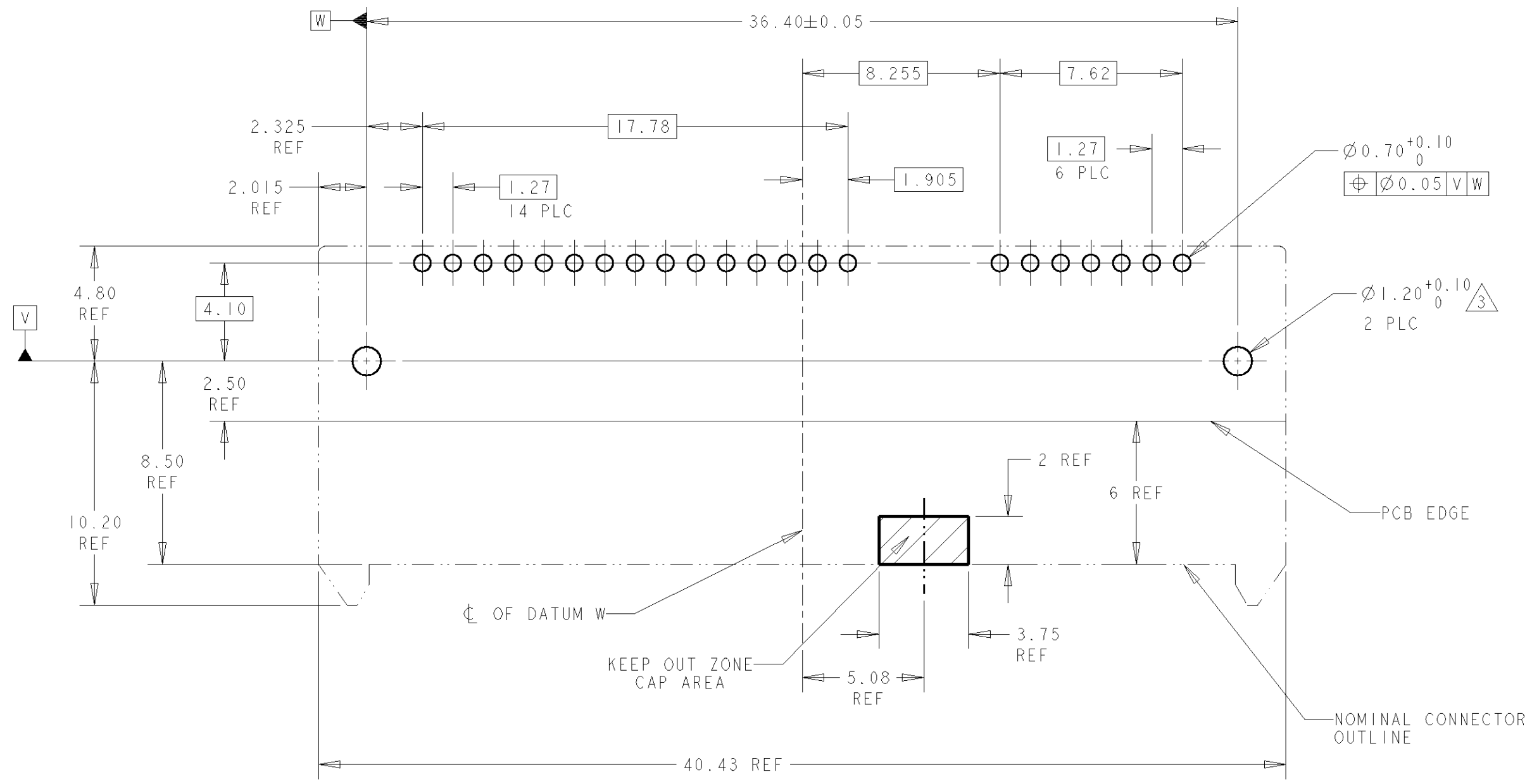
PART LIST	ITEM NO.
CAP	5
CONTACT	4
PIN	3
LOWER HOUSING	2
UPPER HOUSING	1

P/N: 1759925-1 AS SHOWN

THIS DRAWING IS A CONTROLLED DOCUMENT FOR AMP INCORPORATED. IT IS SUBJECT TO CHANGE AND THE CONTROLLING ENGINEERING ORGANIZATION SHOULD BE CONTACTED FOR THE LATEST REVISION.		DWN WYLEE 24JUL07	Tyco Electronics Singapore
		CHK JASON CHOW 24JUL07	
DIMENSIONS: mm		APVD AP TAY 24JUL07	NAME REC ASSY A-FREE SATA H4.35
TOLERANCES UNLESS OTHERWISE SPECIFIED: 0 PLC ± 0.2 1 PLC ± 0.2 2 PLC ± 0.2 3 PLC ± 0.2 4 PLC ± 0.2 ANGLES $\pm 3^\circ$		PRODUCT SPEC 108-78274	
MATERIAL	FINISH	WEIGHT	SIZE A3
1	2	-	CAGE CODE 00779
CUSTOMER DRAWING		DRAWING NO 1759925	
		SCALE 3:1 SHEET 1 OF 3 REV A1	

THIS DRAWING IS UNPUBLISHED. RELEASED FOR PUBLICATION .19 .
 © COPYRIGHT 19 BY AMP INCORPORATED. ALL RIGHTS RESERVED.

LOC	DIST	REVISIONS			
P	LTR	DESCRIPTION	DATE	DWN	APVD
DY	-	SEE SHEET 1			

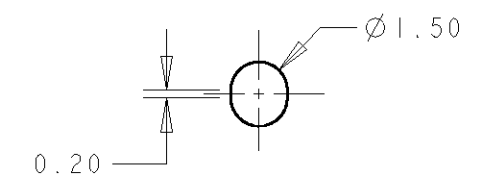
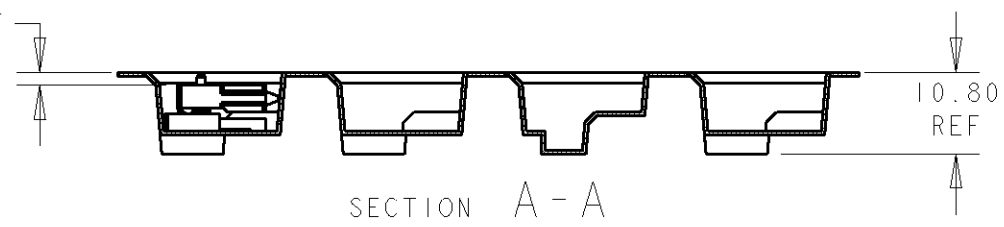
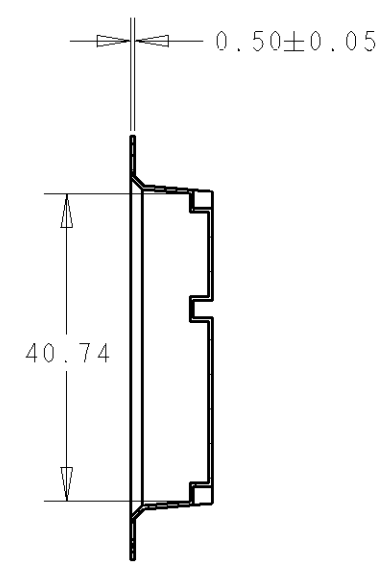
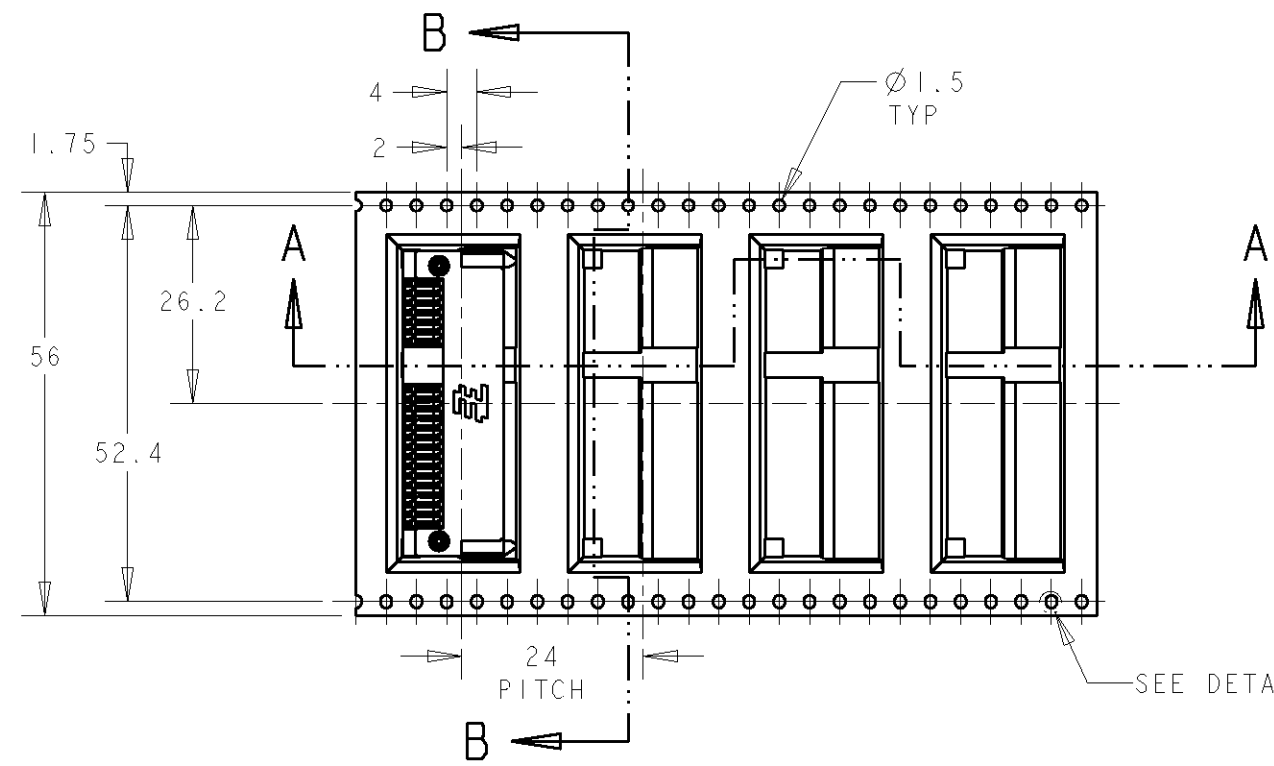


REFERENCE PCB LAYOUT
 REFERENCE PCB THICKNESS t=1.2
 SCALE 5:1

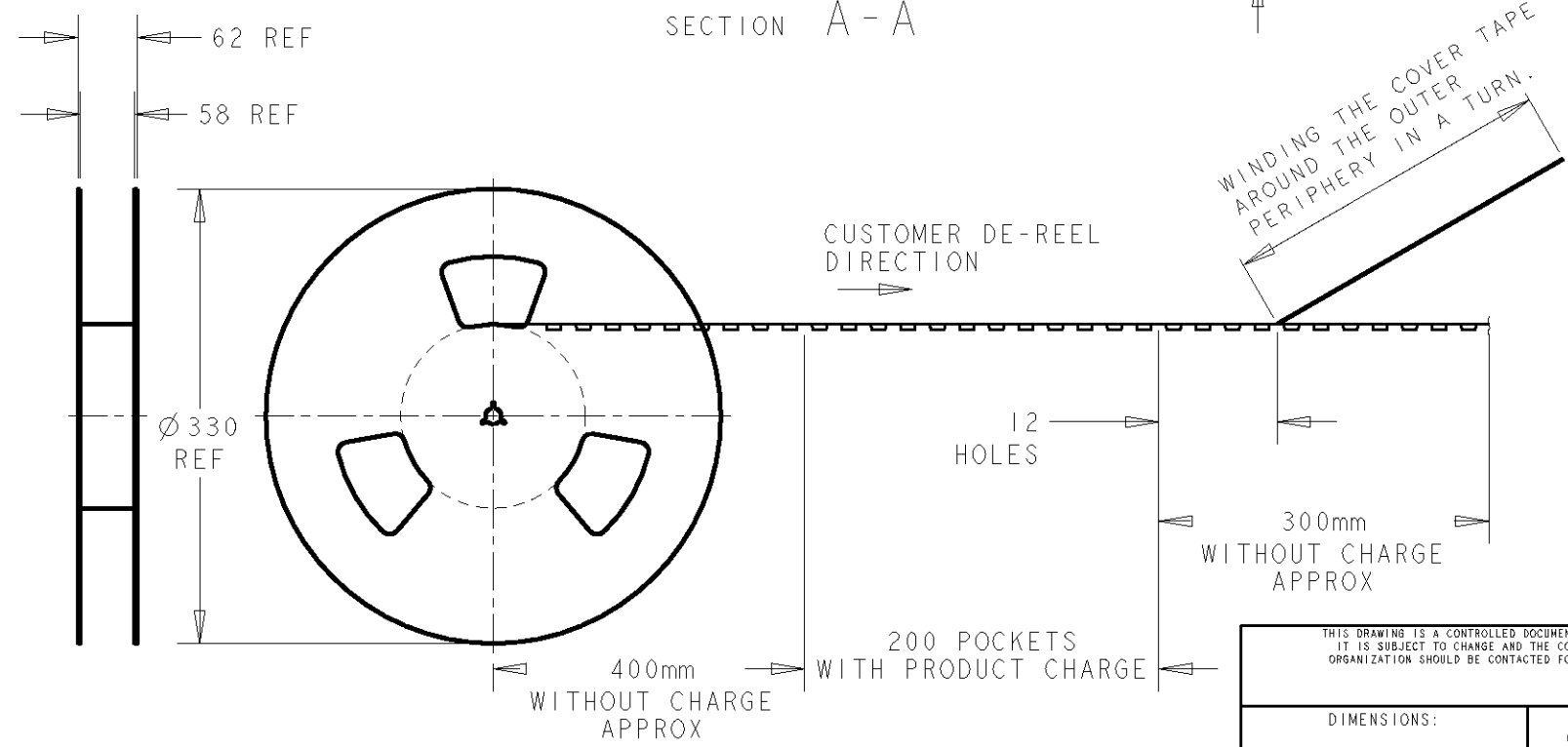
THIS DRAWING IS A CONTROLLED DOCUMENT FOR AMP INCORPORATED. IT IS SUBJECT TO CHANGE AND THE CONTROLLING ENGINEERING ORGANIZATION SHOULD BE CONTACTED FOR THE LATEST REVISION.		DWN WYLEE	24JUL07	Tyco Electronics Corporation Singapore	
DIMENSIONS: mm		CHK JASON CHOW	24JUL07		
TOLERANCES UNLESS OTHERWISE SPECIFIED:		APVD AP TAY	24JUL07	NAME REC ASSY A-FREE SATA H4.35	
0 PLC ± 1 PLC ± 2 PLC ± 3 PLC ± 4 PLC ± ANGLES ±		PRODUCT SPEC	-	SIZE A3	CAGE CODE 00779
MATERIAL -		FINISH -	-	DRAWING NO 1759925	
		CUSTOMER DRAWING		SCALE -	SHEET 2 OF 3

THIS DRAWING IS UNPUBLISHED. RELEASED FOR PUBLICATION .19
 © COPYRIGHT 19 BY AMP INCORPORATED. ALL RIGHTS RESERVED.

LOC	DIST	REVISIONS			
P	LTR	DESCRIPTION	DATE	DWN	APVD
DY	-	SEE SHEET 1			



DETAIL C
SCALE 5:1



PEELING STRENGTH: 20g TO 70g
 PEELING ANGLE: 165° TO 180°
 PEELING SPEED: 300mm/MINUTE
 QUANTITY PER REEL: 200 PIECES

THIS DRAWING IS A CONTROLLED DOCUMENT FOR AMP INCORPORATED. IT IS SUBJECT TO CHANGE AND THE CONTROLLING ENGINEERING ORGANIZATION SHOULD BE CONTACTED FOR THE LATEST REVISION.		DWN WYLEE	24JUL07	Tyco Electronics Corporation Singapore
		CHK JASON CHOW	24JUL07	
		APVD AP TAY	24JUL07	NAME REC ASSY A-FREE SATA H4.35
DIMENSIONS: mm		TOLERANCES UNLESS OTHERWISE SPECIFIED:		SIZE A3
		0 PLC	±	CAGE CODE 00779
		1 PLC	±	DRAWING NO 1759925
		2 PLC	±	SCALE NTS
		3 PLC	±	SHEET 3 OF 3
		4 PLC	±	REV A1
		ANGLES	±	
MATERIAL		FINISH		
		CUSTOMER DRAWING		