



Chipsmall Limited consists of a professional team with an average of over 10 year of expertise in the distribution of electronic components. Based in Hongkong, we have already established firm and mutual-benefit business relationships with customers from,Europe,America and south Asia,supplying obsolete and hard-to-find components to meet their specific needs.

With the principle of “Quality Parts,Customers Priority,Honest Operation,and Considerate Service”,our business mainly focus on the distribution of electronic components. Line cards we deal with include Microchip,ALPS,ROHM,Xilinx,Pulse,ON,Everlight and Freescale. Main products comprise IC,Modules,Potentiometer,IC Socket,Relay,Connector.Our parts cover such applications as commercial,industrial, and automotives areas.

We are looking forward to setting up business relationship with you and hope to provide you with the best service and solution. Let us make a better world for our industry!




Contact us

Tel: +86-755-8981 8866 Fax: +86-755-8427 6832

Email & Skype: info@chipsmall.com Web: www.chipsmall.com

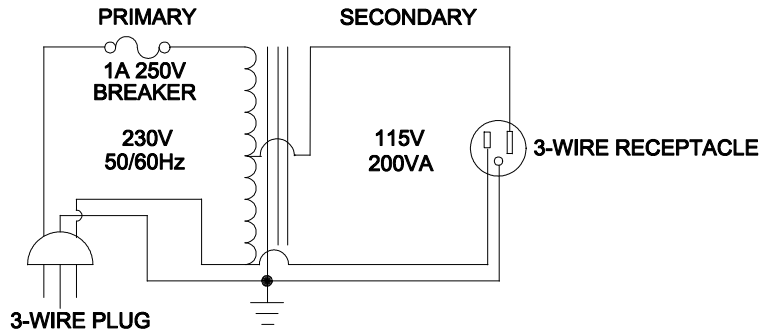
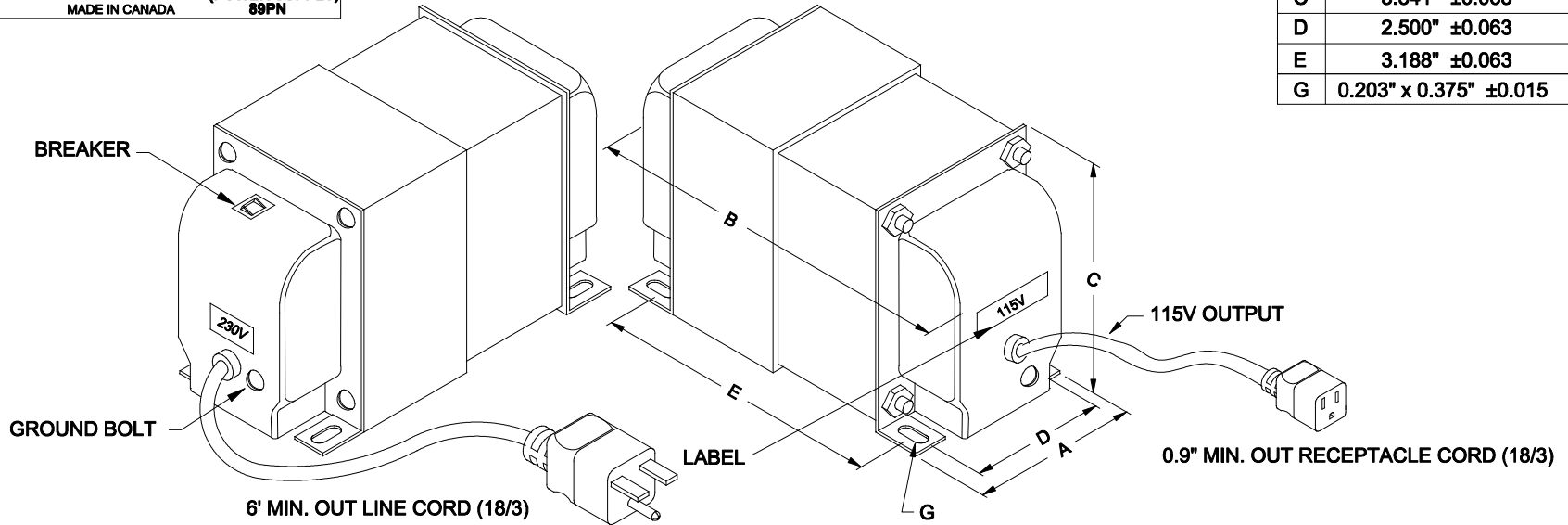
Address: A1208, Overseas Decoration Building, #122 Zhenhua RD., Futian, Shenzhen, China




HAMMOND MANUFACTURING AUTO TRANSFORMER
175B-NA
 INPUT 230V 50/60Hz 200VA
 OUTPUT 115V 1.75A
 DATE _____ MADE IN CANADA



ULus
 LISTED
 (POWER SUPPLY)
 89PN

DIMENSIONS:	
A	3.156" ±0.063
B	4.436" ±0.125
C	3.841" ±0.063
D	2.500" ±0.063
E	3.188" ±0.063
G	0.203" x 0.375" ±0.015



ELECTRICAL DATA:		
TESTS	CONDITIONS	ACCEPTANCE CRITERIA
Iex	@ 230V, 60Hz, TO CORD PLUG	290mA MAX.
Sec. N.L.V	@ 230V, 60Hz, TO CORD PLUG	
	RECEPTACLE PLUG =	118.0V ±2%
DCR	@ 20°C, TO CORD PLUG =	5.930 Ω ±20%
	@ 20°C, RECEPTACLE PLUG =	2.980 Ω ±20%
HI POT	PRIMARY - SECONDARY	2000V, 60Hz, 1 SEC

REV.NO.	REVISION	DATE
0	RELEASED. C.I.	10/13/15


Hammond Electronics Waterloo, Ontario Canada

DWG. BY: C. ILIE DATE: 10/13/15 CHK'D BY: APP'D. BY:	TITLE: AUTO-TRANSFORMER STEP UP - PLUG IN	175B-NA SH 1 OF 1
---	--	-----------------------------