



Chipsmall Limited consists of a professional team with an average of over 10 year of expertise in the distribution of electronic components. Based in Hongkong, we have already established firm and mutual-benefit business relationships with customers from,Europe,America and south Asia,supplying obsolete and hard-to-find components to meet their specific needs.

With the principle of “Quality Parts,Customers Priority,Honest Operation,and Considerate Service”,our business mainly focus on the distribution of electronic components. Line cards we deal with include Microchip,ALPS,ROHM,Xilinx,Pulse,ON,Everlight and Freescale. Main products comprise IC,Modules,Potentiometer,IC Socket,Relay,Connector.Our parts cover such applications as commercial,industrial, and automotives areas.

We are looking forward to setting up business relationship with you and hope to provide you with the best service and solution. Let us make a better world for our industry!




Contact us

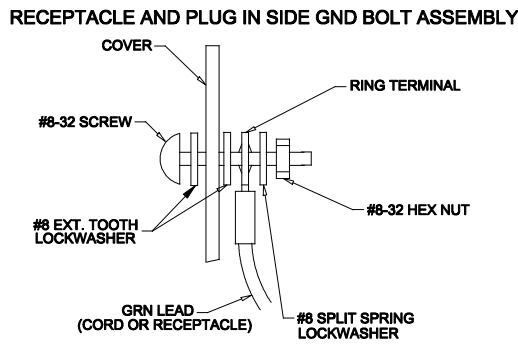
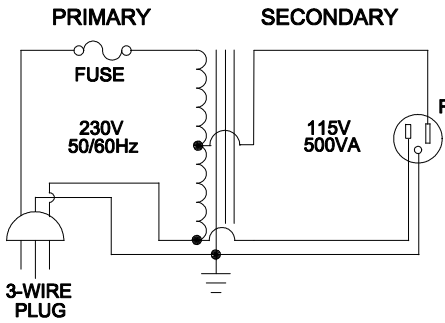
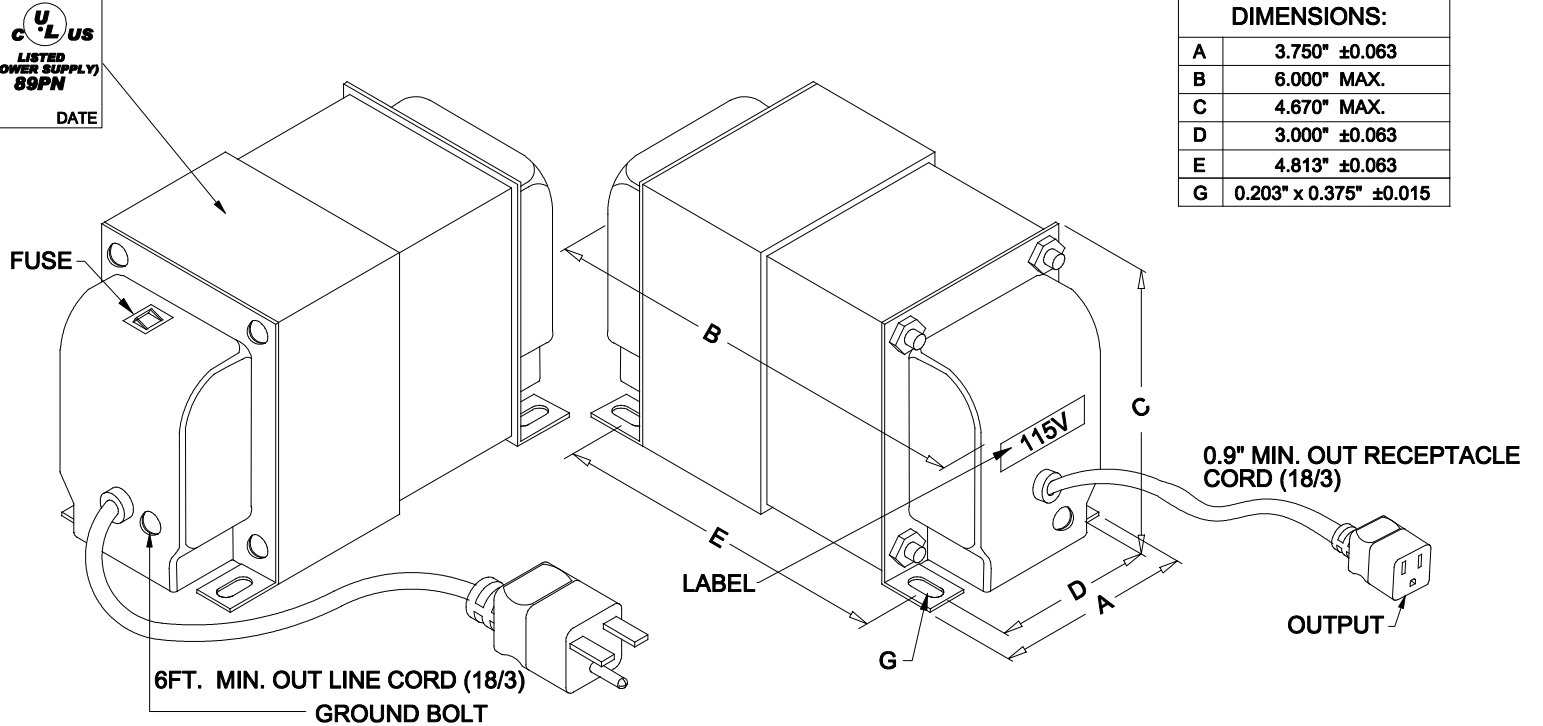
Tel: +86-755-8981 8866 Fax: +86-755-8427 6832

Email & Skype: info@chipsmall.com Web: www.chipsmall.com

Address: A1208, Overseas Decoration Building, #122 Zhenhua RD., Futian, Shenzhen, China




AUTO TRANSFORMER
175D-NA
 INPUT: 230V 50/60Hz 500VA
 OUTPUT: 115V 4.348A
 MADE IN CANADA
 DATE



ELECTRICAL DATA:		
TESTS	CONDITIONS	ACCEPTANCE CRITERIA
Iex	@ 230V, 60Hz, TO CORD PLUG	658mA Max.
Sec. N.L.V	@ 230V, 60Hz, TO CORD PLUG	
	RECEPTACLE PLUG =	116.56V ±2%
DCR	@ 20°C, TO CORD PLUG =	1.040 Ω ±20%
	@ 20°C, RECEPTACLE PLUG =	0.534 Ω ±20%
HIPOT	PRIMARY - SECONDARY	2000V, 60Hz, 1 SEC

REV.#	REVISION	DATE
0	RELEASED.	01/12/10


HAMMOND MANUFACTURING™

ELECTRONIC DIVISION
 52 RANKIN PLACE,
 WATERLOO, ONTARIO, N2J 3Z5
 PH # (519) 886-6181
 FAX # (519) 886-9540

DWG. BY: C. ILIE
 DATE: 01/12/10

CHK'D BY:
 APP'D. BY:
 DIMENSIONS: IN(X) MM()

TITLE:
**PLUG IN - STEP DOWN
 AUTO TRANSFORMER**

DWG. NO.
175D-NA