



Chipsmall Limited consists of a professional team with an average of over 10 year of expertise in the distribution of electronic components. Based in Hongkong, we have already established firm and mutual-benefit business relationships with customers from,Europe,America and south Asia,supplying obsolete and hard-to-find components to meet their specific needs.

With the principle of “Quality Parts,Customers Priority,Honest Operation,and Considerate Service”,our business mainly focus on the distribution of electronic components. Line cards we deal with include Microchip,ALPS,ROHM,Xilinx,Pulse,ON,Everlight and Freescale. Main products comprise IC,Modules,Potentiometer,IC Socket,Relay,Connector.Our parts cover such applications as commercial,industrial, and automotives areas.

We are looking forward to setting up business relationship with you and hope to provide you with the best service and solution. Let us make a better world for our industry!



Contact us

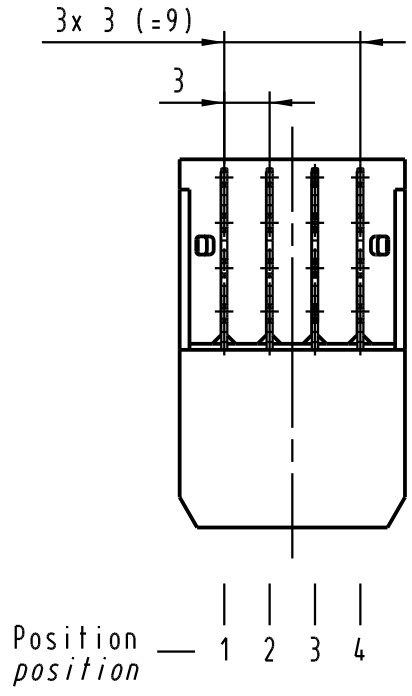
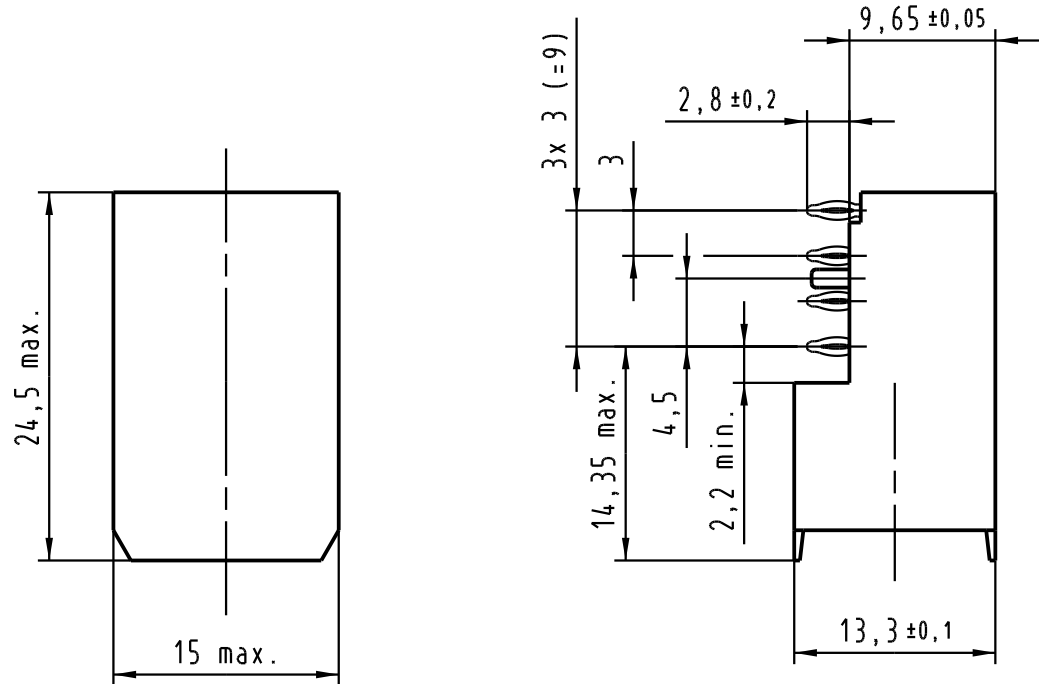
Tel: +86-755-8981 8866 Fax: +86-755-8427 6832

Email & Skype: info@chipsmall.com Web: www.chipsmall.com

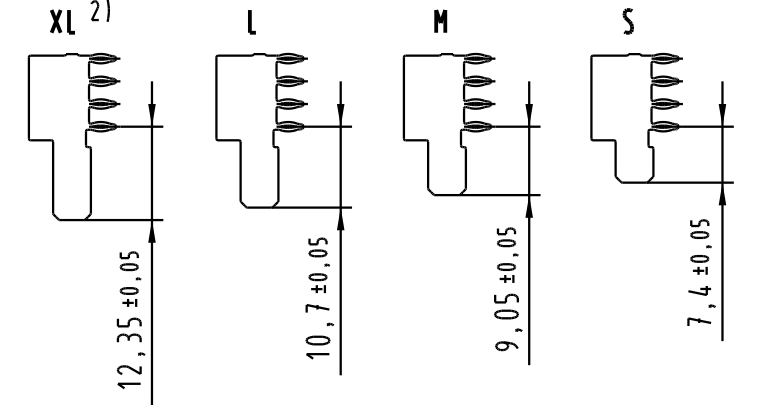
Address: A1208, Overseas Decoration Building, #122 Zhenhua RD., Futian, Shenzhen, China



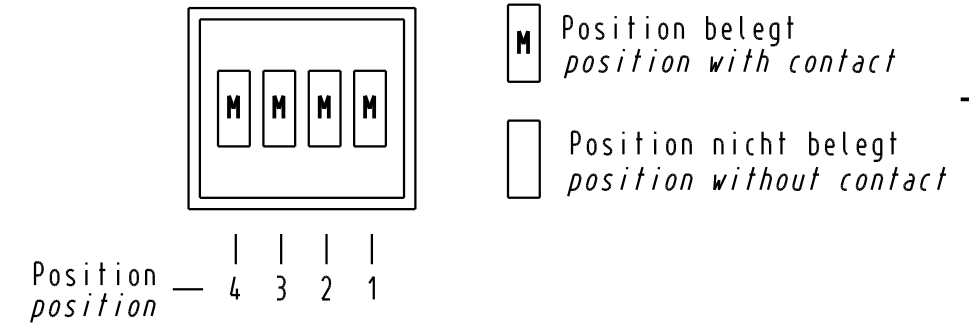
Alle Rechte vorbehalten. All rights reserved



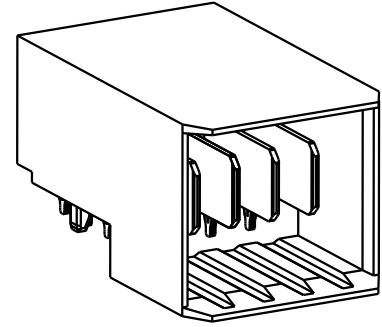
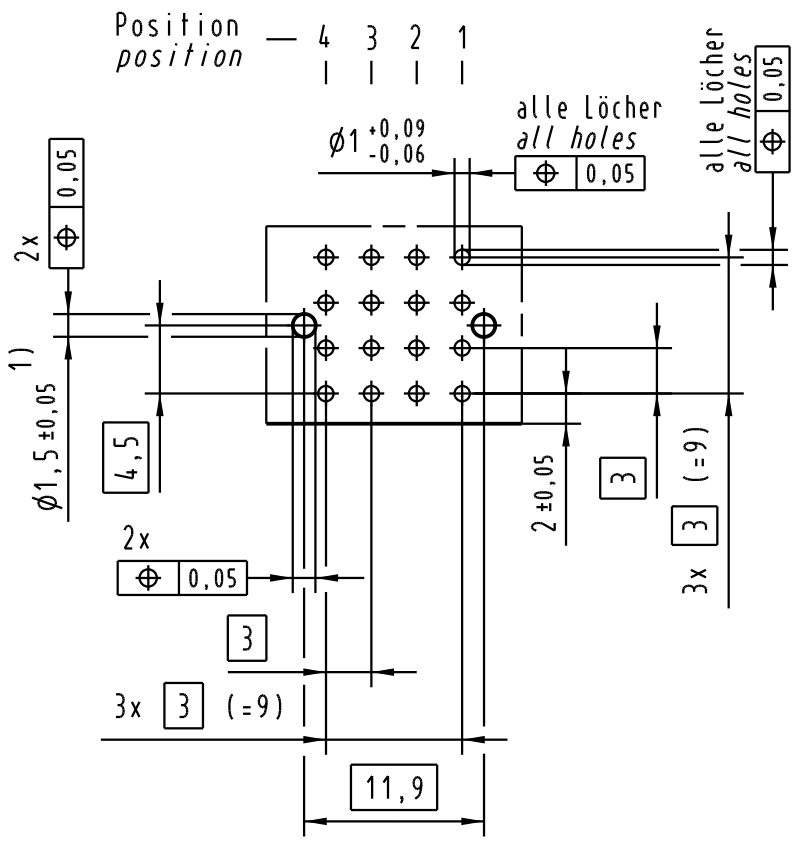
1:1
Kontaktabmessungen
contact dimensions



Kontaktbelegung
contact loading



Lochbild
board drillings



2) Type XL auf Anfrage
2) type XL on request

1) Löcher nicht metallisiert
1) non metallized drillings

Bohrlochdurchmesser: $\phi 1,15 \pm 0,025$
Lochdurchmesser (mit Oberfläche): $\phi 1,0 \pm 0,09$
drill hole dia.: $\phi 1,15 \pm 0,025$
through hole dia. (after plating): $\phi 1,0 \pm 0,09$

All Dimensions in mm Original Size DIN A 3		Techn. Character.			Nicht tolerierte Maß/Free size tolerances		
			Dat.	Name	Maßstab/Scale 2:1 (1:1)	har-bus HM Power, Messerleiste, gewinkelt 4polig, Einpreßtechnik har-bus HM Power, male connector, right angled 4pole, press-fit	
			Detail.	04.03.05			HL.
			Insp.	04.03.05			Hm
			Stand.				
31726		HARTING Electronics GmbH & Co. KG				TB 17 61 004 2102	
Mod.	Dat.	Name	D-32339 ESPELKAMP				Sub.