



Chipsmall Limited consists of a professional team with an average of over 10 year of expertise in the distribution of electronic components. Based in Hongkong, we have already established firm and mutual-benefit business relationships with customers from,Europe,America and south Asia,supplying obsolete and hard-to-find components to meet their specific needs.

With the principle of “Quality Parts,Customers Priority,Honest Operation,and Considerate Service”,our business mainly focus on the distribution of electronic components. Line cards we deal with include Microchip,ALPS,ROHM,Xilinx,Pulse,ON,Everlight and Freescale. Main products comprise IC,Modules,Potentiometer,IC Socket,Relay,Connector.Our parts cover such applications as commercial,industrial, and automotives areas.

We are looking forward to setting up business relationship with you and hope to provide you with the best service and solution. Let us make a better world for our industry!



## Contact us

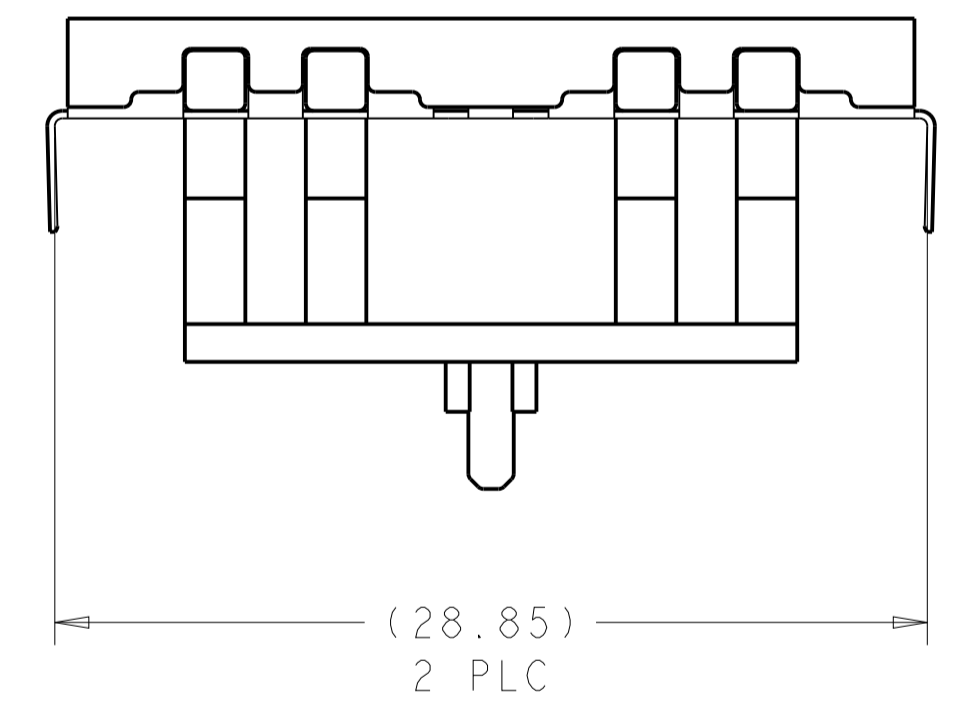
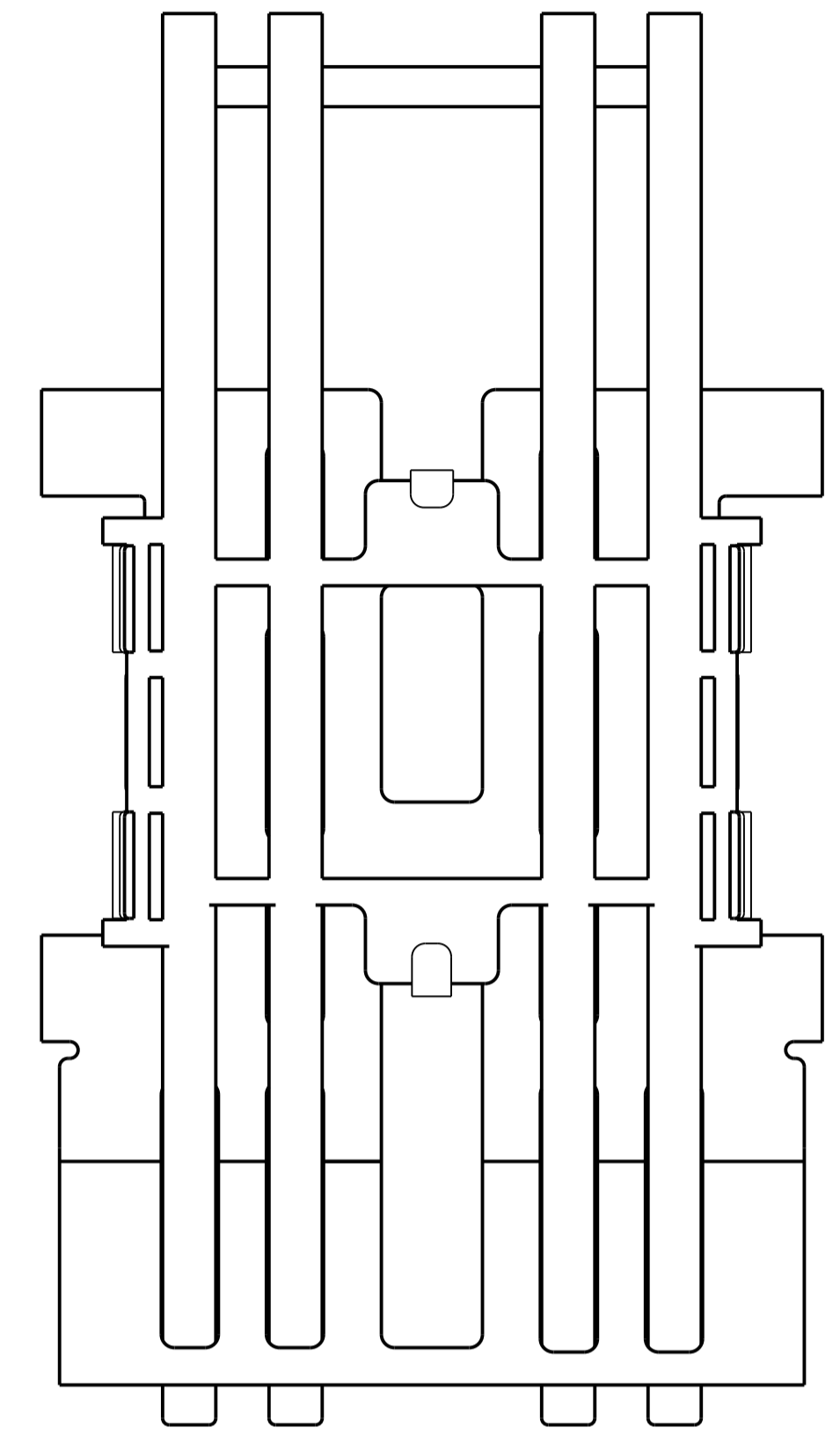
Tel: +86-755-8981 8866 Fax: +86-755-8427 6832

Email & Skype: info@chipsmall.com Web: www.chipsmall.com

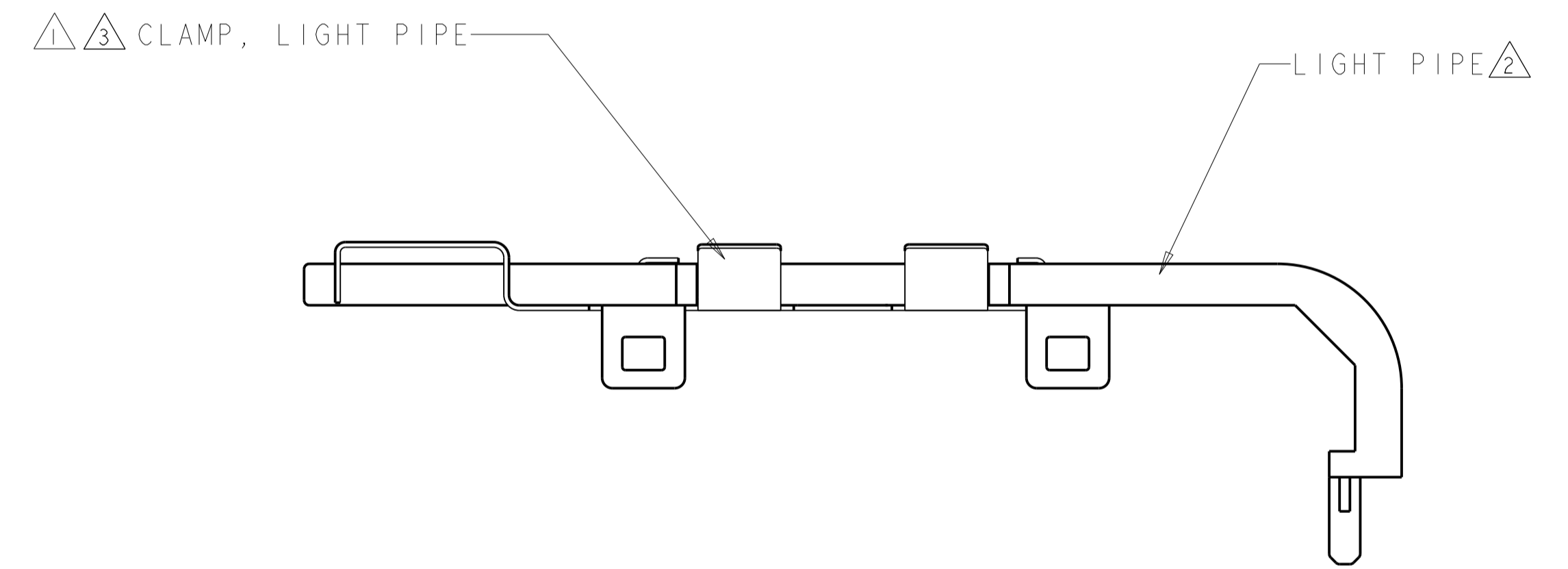
Address: A1208, Overseas Decoration Building, #122 Zhenhua RD., Futian, Shenzhen, China



LOC	DIST	REVISIONS			
		REV	DATE	BY	CHK
GP	00	02	23MAR2004	WVS	MJP
		A	08JUL2004	MHC	JK
		A1	21MAY2007	ZMR	JRK
		A2	11JUL2014	JW	SH



- △ COPPER ALLOY, TIN PLATING PER ASTM B 545, 1.25 μm MINIMUM OVER NICKEL FLASH PER QQ-N-290. NONPLATED EDGES PERMISSIBLE
- △ POLYCARBONATE, CLEAR.
- △ NICKEL SILVER ALLOY (NO PLATING)



△	LIGHT PIPE KIT	1761011-3
△	LIGHT PIPE KIT	1761011-1
CLAMP MATERIAL	DESCRIPTION	ITEM NO

THIS DRAWING IS A CONTROLLED DOCUMENT.

DIMENSIONS:	TOLERANCES UNLESS OTHERWISE SPECIFIED:	OWN: W. VAN SCOY, 20FEB2004	
mm	0 PLC ±	CHK: M. PHILLIPS, 20FEB2004	
	1 PLC ±0.1	APVD: M. PHI, 20FEB2004	
	2 PLC ±	NAME: ASSEMBLY, LIGHT PIPE KIT, 1X2, SFP	
	3 PLC ±	PRODUCT SPEC	SIZE: A1
	4 PLC ±	APPLICATION SPEC	CAGE CODE: 1761011
	ANGLES ±	114-13120	RESTRICTED TO
	FINISH ±	WEIGHT	SCALE: 4:1
MATERIAL:		CUSTOMER DRAWING	SHEET 1 OF 1