



Chipsmall Limited consists of a professional team with an average of over 10 year of expertise in the distribution of electronic components. Based in Hongkong, we have already established firm and mutual-benefit business relationships with customers from,Europe,America and south Asia,supplying obsolete and hard-to-find components to meet their specific needs.

With the principle of “Quality Parts,Customers Priority,Honest Operation,and Considerate Service”,our business mainly focus on the distribution of electronic components. Line cards we deal with include Microchip,ALPS,ROHM,Xilinx,Pulse,ON,Everlight and Freescale. Main products comprise IC,Modules,Potentiometer,IC Socket,Relay,Connector.Our parts cover such applications as commercial,industrial, and automotives areas.

We are looking forward to setting up business relationship with you and hope to provide you with the best service and solution. Let us make a better world for our industry!



Contact us

Tel: +86-755-8981 8866 Fax: +86-755-8427 6832

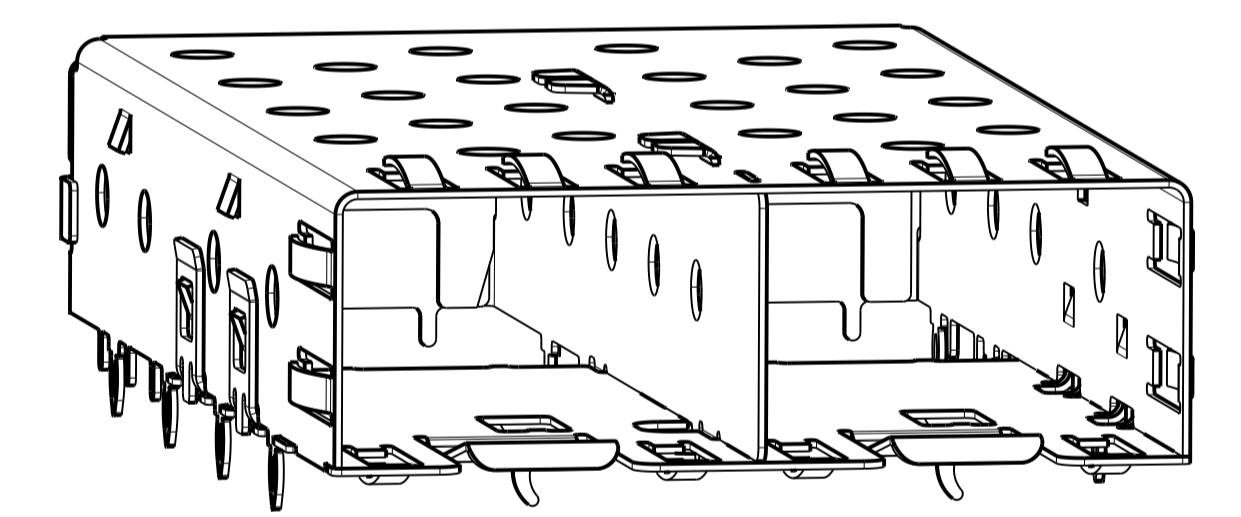
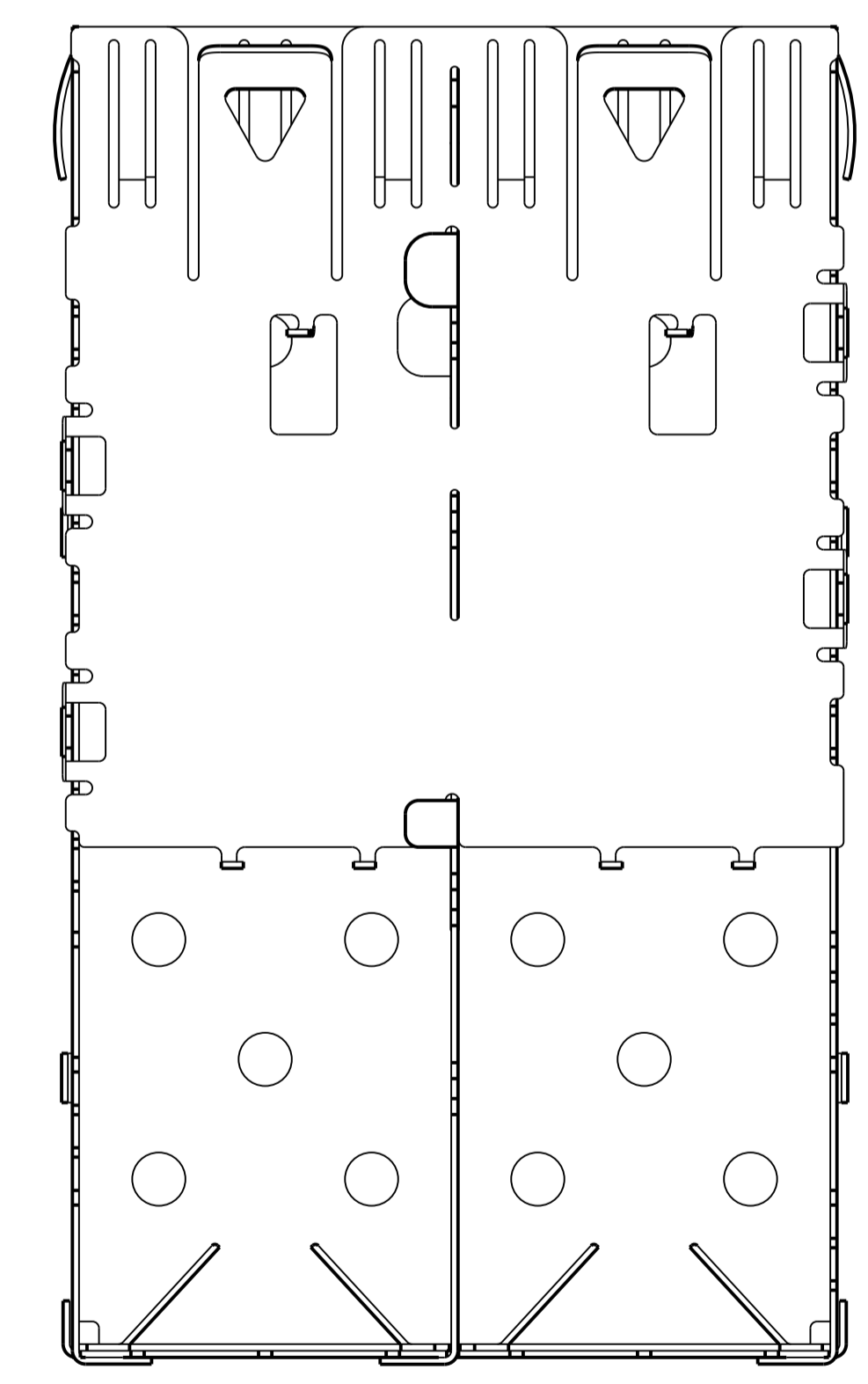
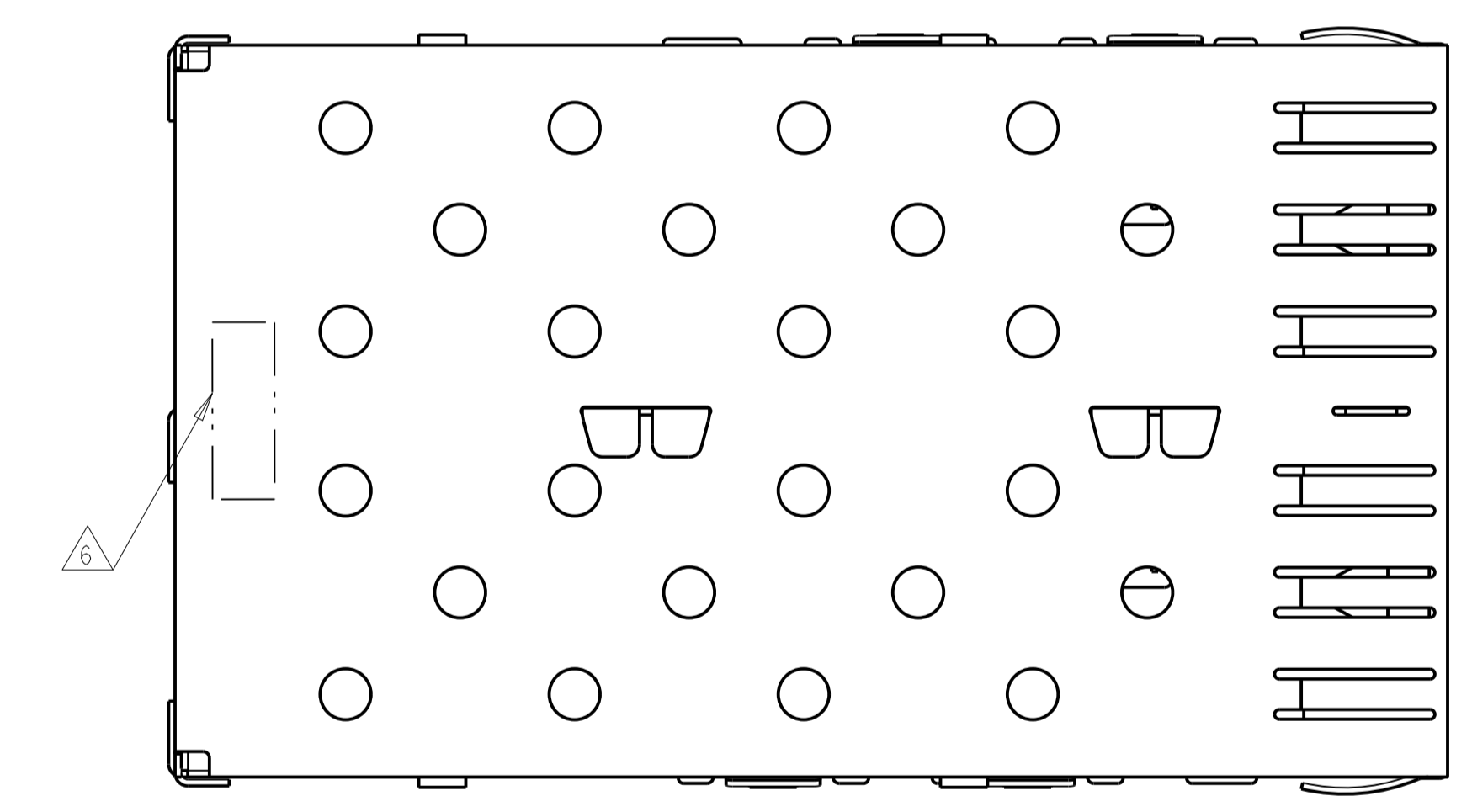
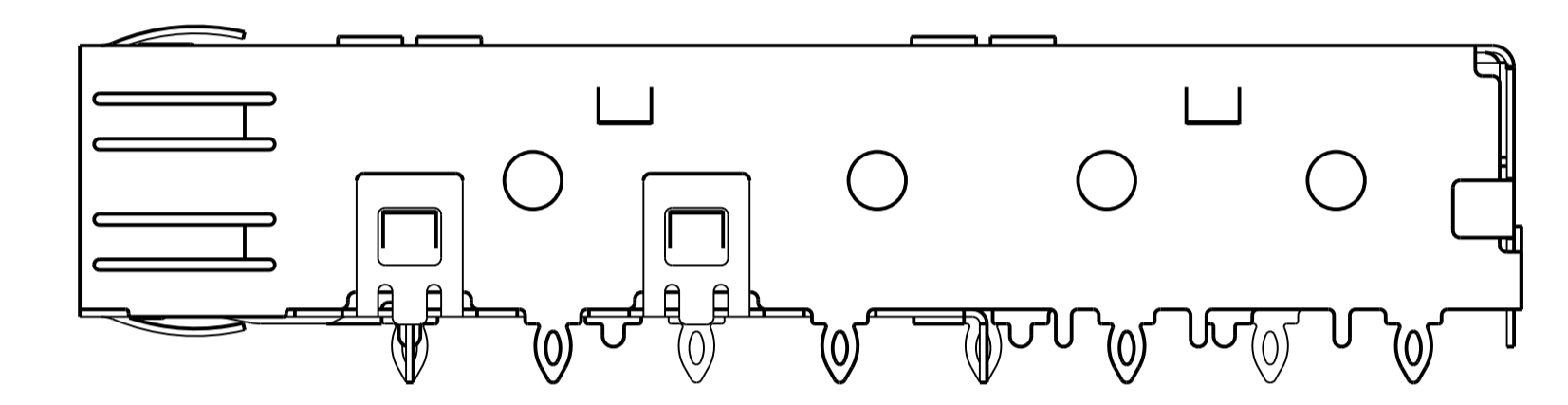
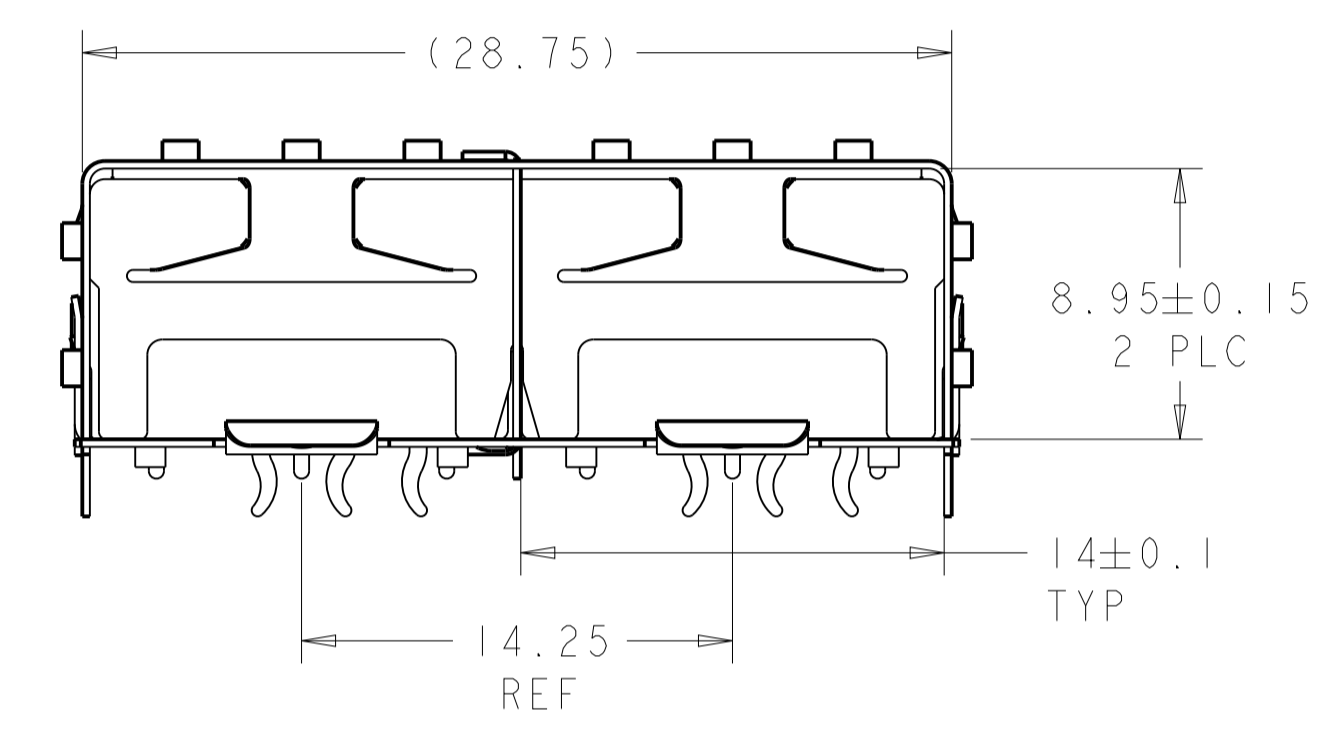
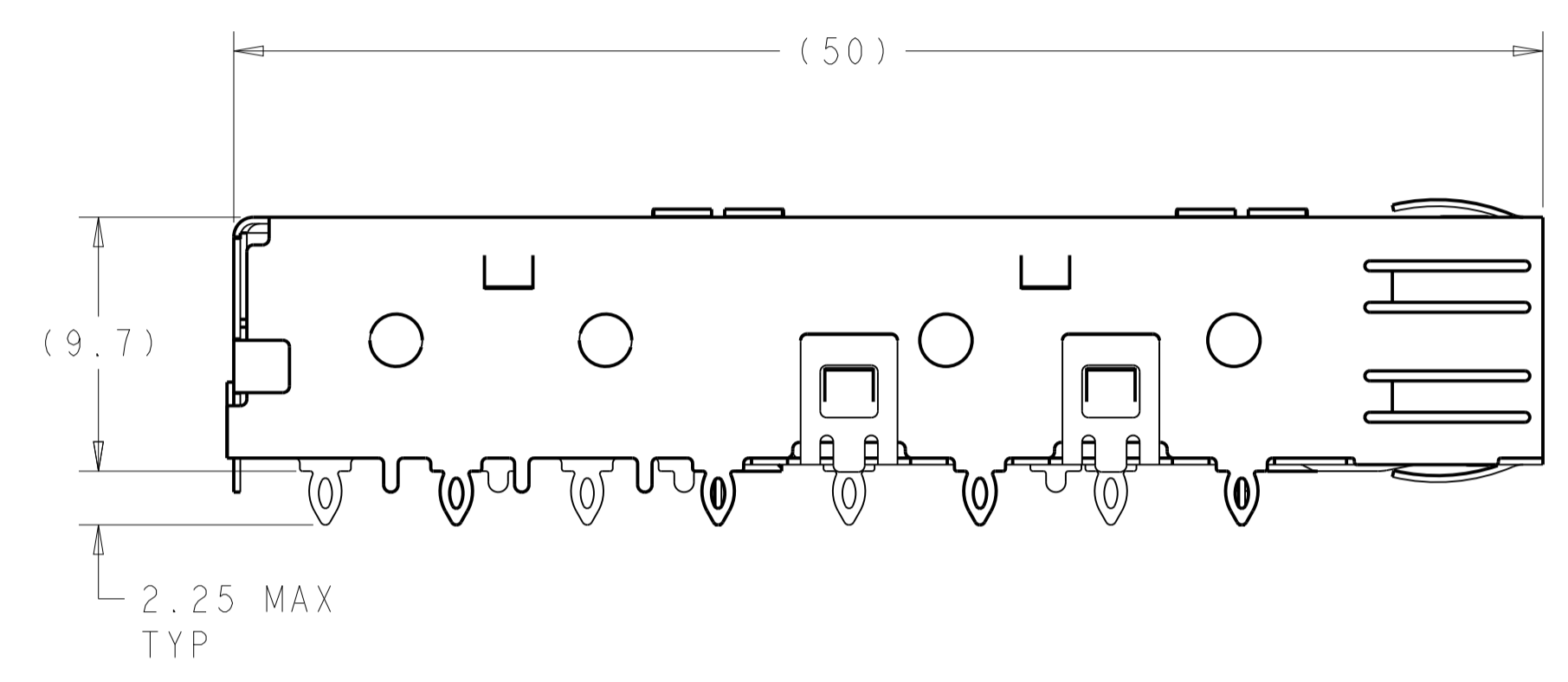
Email & Skype: info@chipsmall.com Web: www.chipsmall.com

Address: A1208, Overseas Decoration Building, #122 Zhenhua RD., Futian, Shenzhen, China

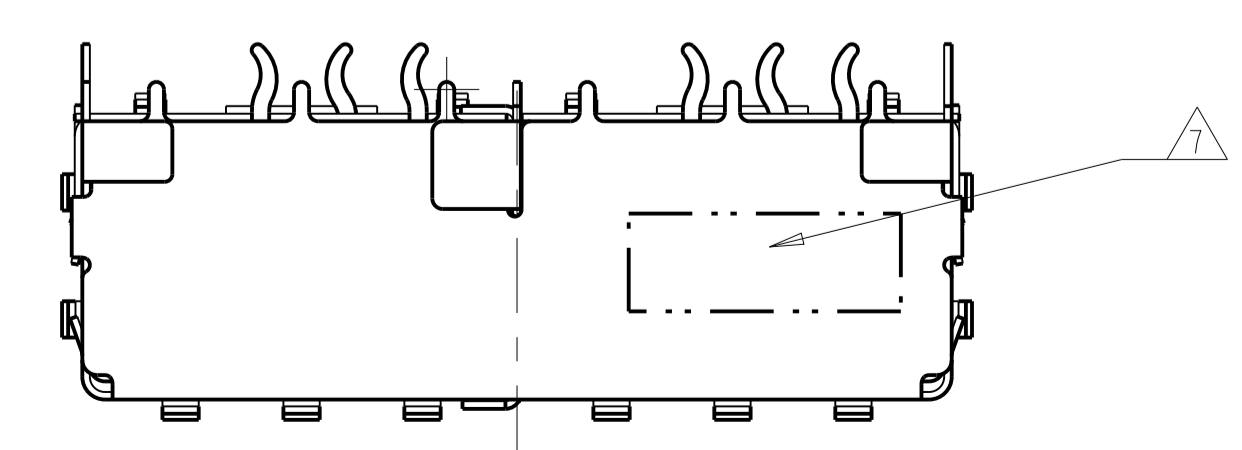


LOC	DIST	REVISIONS			
		REV	DATE	BY	CHKD
GP	00	D1	10MAY2011	RK	HMR
		E	20FEB2014	JW	SH
		E1	11JUL2014	JW	SH

- 1 MATERIAL: COPPER ALLOY.
- 2 FINISH: TIN PLATING PER ASTM B 545, 1.25µm MINIMUM THICKNESS ALL OVER NICKEL FLASH PER QQ-N-290. NONPLATED EDGES PERMISSIBLE.
- 3 PADS AND VIAS CHASSIS GROUND.
- 4 DATUM AND BASIC DIMENSIONS ESTABLISHED BY CUSTOMER.
- 5 REFERENCE APPLICATION SPEC 114-13120, HOLE A, FOR RECOMMENDED DRILL HOLE DIAMETER AND PLATING THICKNESSES.
- 6 COMPANY LOGO IN APPROXIMATE AREA SHOWN
- 7 DATE CODE AND PART NUMBER IN APPROXIMATE AREA SHOWN.
- 8 MATERIAL: NICKEL SILVER ALLOY (NO PLATING)



1761014-1&-3
 1X2 CAGE ASSEMBLY
 SCALE 4:1



NO	8	1 x 2 CAGE	1761014-3
2	1	1 x 2 CAGE	1761014-1
FINISH	MATERIAL	DESCRIPTION	PART NO

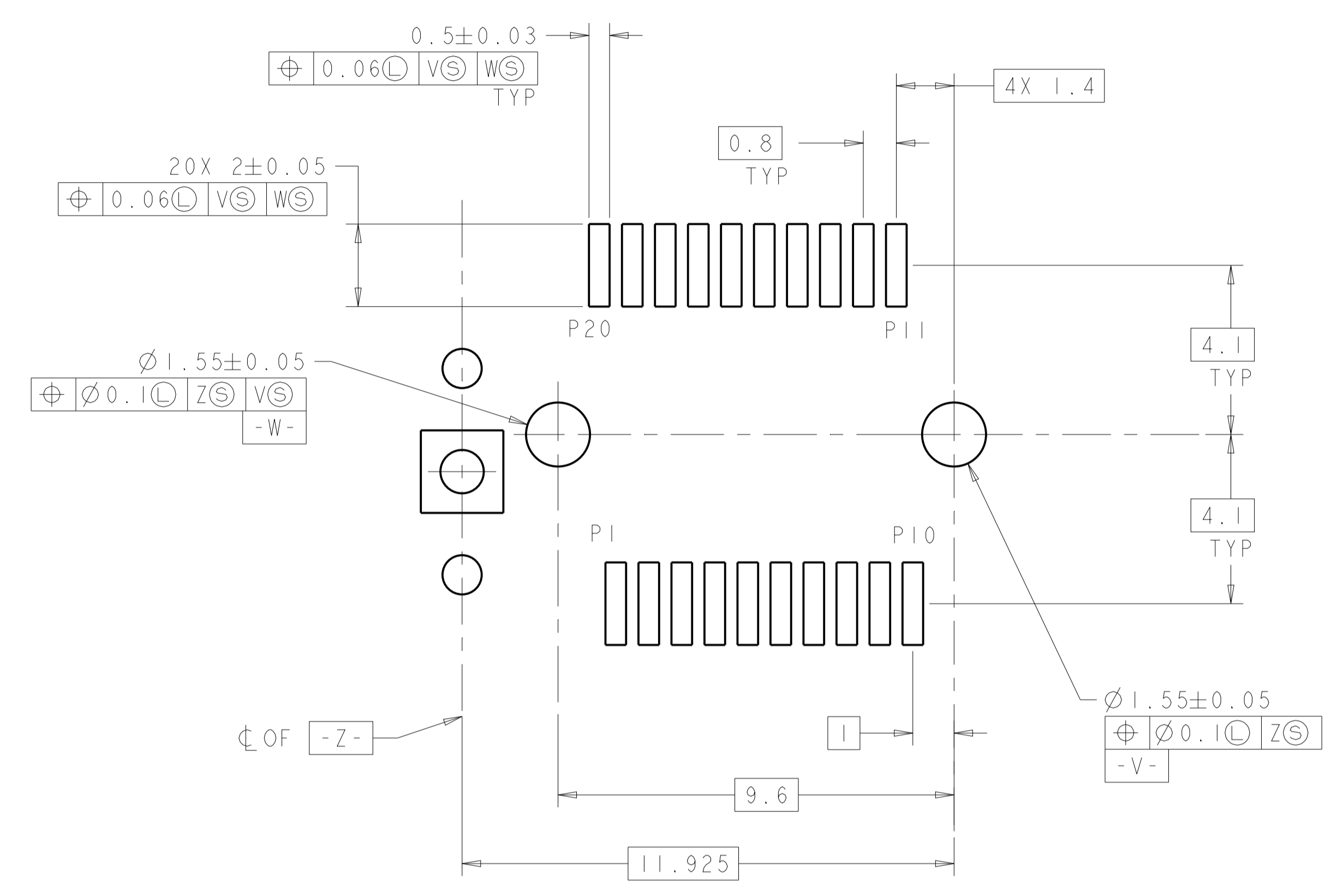
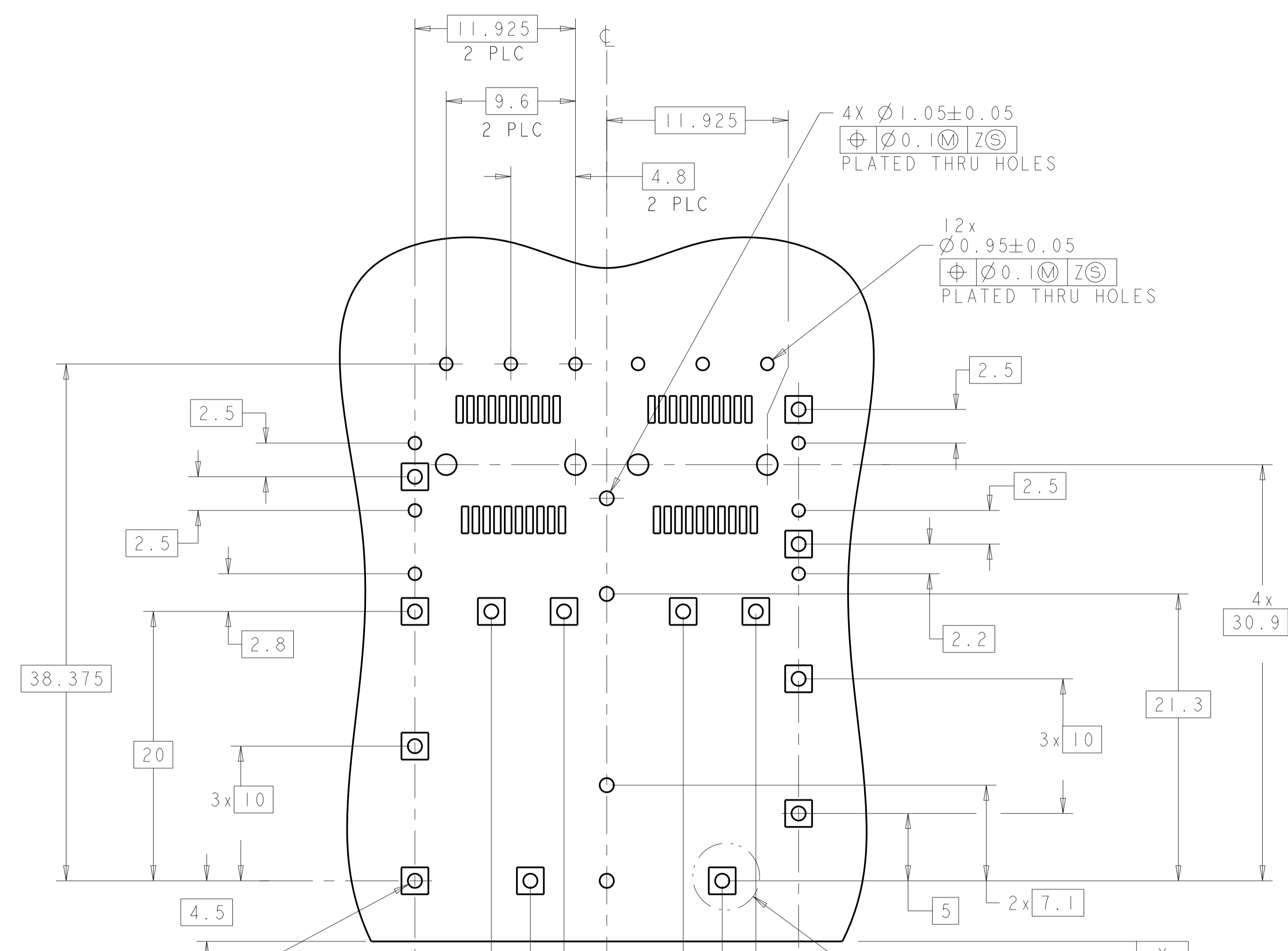
THIS DRAWING IS A CONTROLLED DOCUMENT.

DIMENSIONS:	TOLERANCES UNLESS OTHERWISE SPECIFIED:	DRN: W VAN SCOY 15MAR2004	CHK: MJ PHILLIPS 15MAR2004	APVD: MJ PHILLIPS 15MAR2004	NAME: ASSEMBLY, CAGE, 1X2 PRESS FIT, SFP
mm	0 PLC ±	PRODUCT SPEC	108-1950	APPLICATION SPEC	114-13120
	1 PLC ±0.10	WEIGHT			
	2 PLC ±	SCALE	4:1	SHEET	1 OF 2
	3 PLC ±	RESTRICTED TO			
	4 PLC ±				
	ANGLES ±2°				

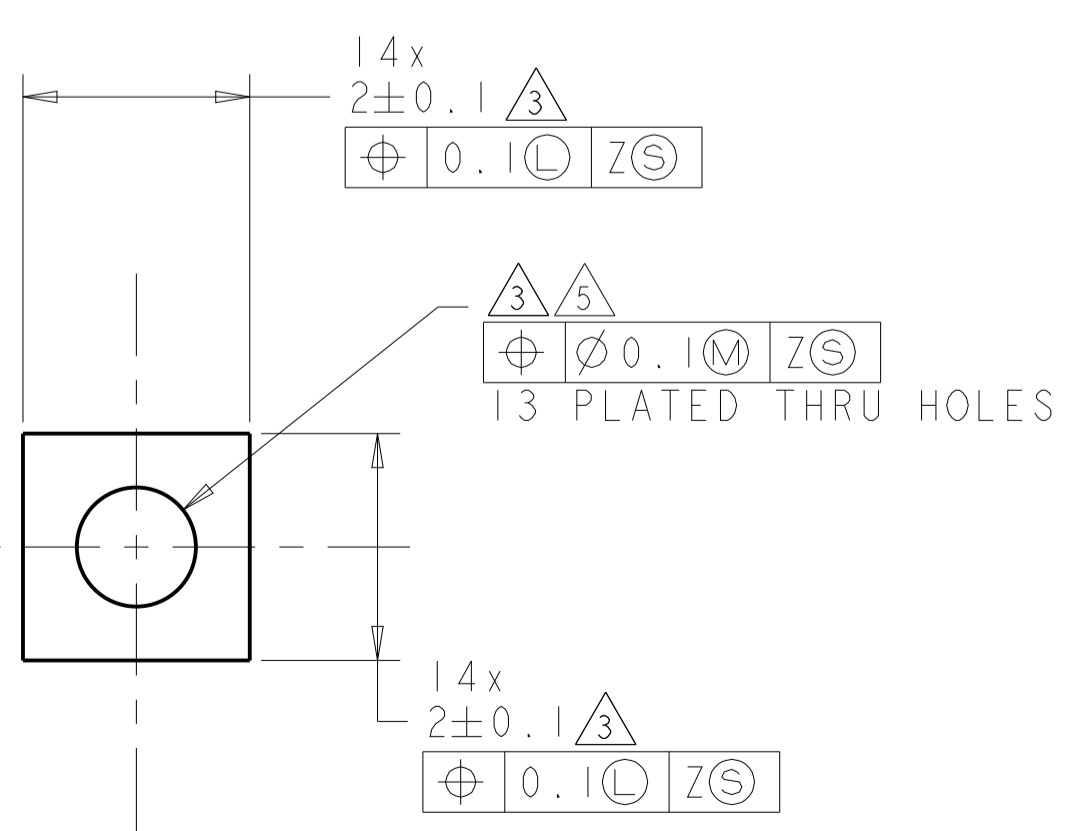
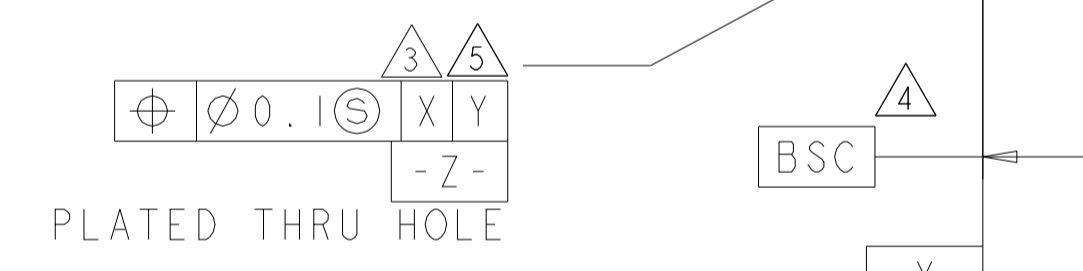
MATERIAL: FINISH:

CUSTOMER DRAWING

LOC	DIST	REV	DATE	BY	APPV
GP	00				
DESCRIPTION					
SEE SHEET 1					



PT CONNECTOR
RECOMMENDED PCB
CONFIGURATION
SCALE 10:1



DETAIL D
SCALE 15:1

RECOMMENDED PC BOARD
CONFIGURATION
SCALE 4:1

THIS DRAWING IS A CONTROLLED DOCUMENT.		OWN: W. VAN SCOY, 15MAR2004	TE Connectivity
DIMENSIONS: mm		CHK: M.J. PHILLIPS, 15MAR2004	
TOLERANCES UNLESS OTHERWISE SPECIFIED:		APVD: M.J. PHILLIPS, 15MAR2004	NAME: ASSEMBLY, CAGE, 1X2 PRESS FIT, SFP
0 PLC	±	PRODUCT SPEC	SIZE: CAGE CODE DRAWING NO. RESTRICTED TO
2 PLC	±0.10	108-1950	A100779C=1761014
3 PLC	±	APPLICATION SPEC	SCALE 4:1 SHEET 2 OF 2 REV E1
4 PLC	±	114-13120	
ANGLES	±2°	WEIGHT	
MATERIAL		CUSTOMER DRAWING	