



Chipsmall Limited consists of a professional team with an average of over 10 year of expertise in the distribution of electronic components. Based in Hongkong, we have already established firm and mutual-benefit business relationships with customers from,Europe,America and south Asia,supplying obsolete and hard-to-find components to meet their specific needs.

With the principle of "Quality Parts,Customers Priority,Honest Operation,and Considerate Service",our business mainly focus on the distribution of electronic components. Line cards we deal with include Microchip,ALPS,ROHM,Xilinx,Pulse,ON,Everlight and Freescale. Main products comprise IC,Modules,Potentiometer,IC Socket,Relay,Connector.Our parts cover such applications as commercial,industrial, and automotives areas.

We are looking forward to setting up business relationship with you and hope to provide you with the best service and solution. Let us make a better world for our industry!



Contact us

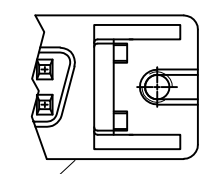
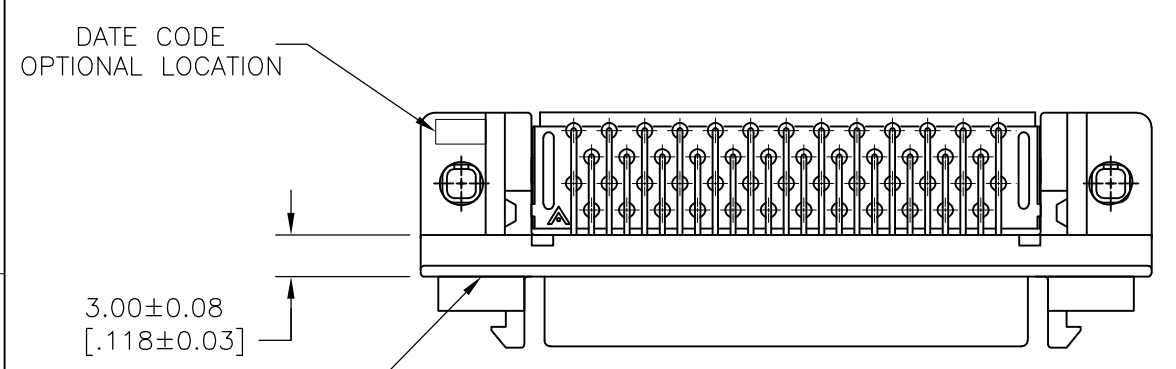
Tel: +86-755-8981 8866 Fax: +86-755-8427 6832

Email & Skype: info@chipsmall.com Web: www.chipsmall.com

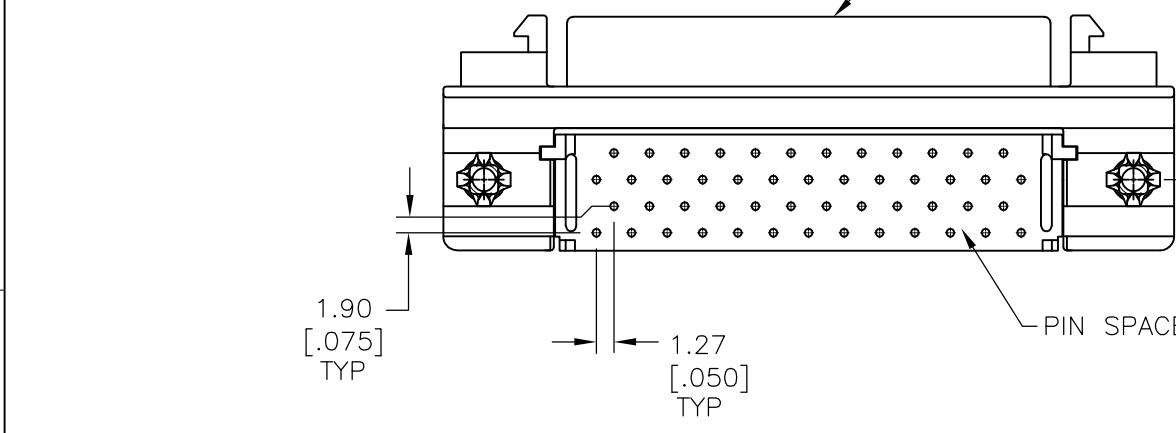
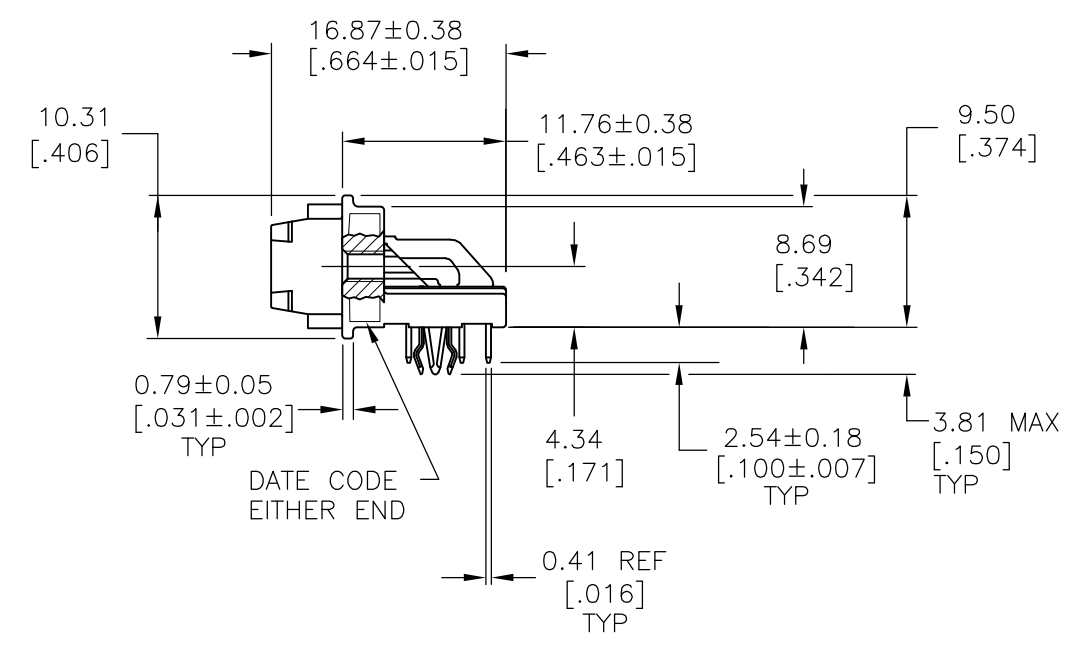
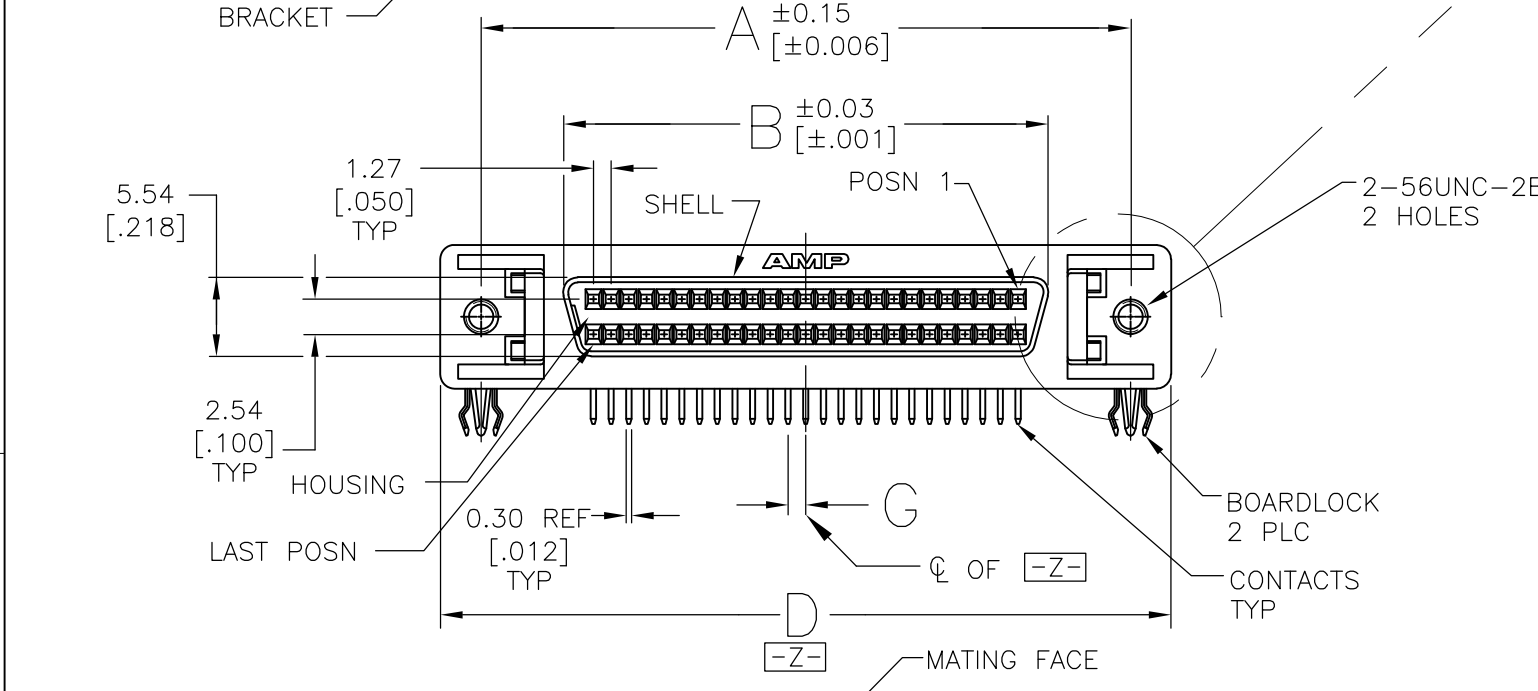
Address: A1208, Overseas Decoration Building, #122 Zhenhua RD., Futian, Shenzhen, China



LOC	DIST	REVISIONS					
GP	00	P	LTR	DESCRIPTION	DATE	DWN	APVD
		D		REVISED PER ECO-11-008091	18APR2011	CJV	SLB



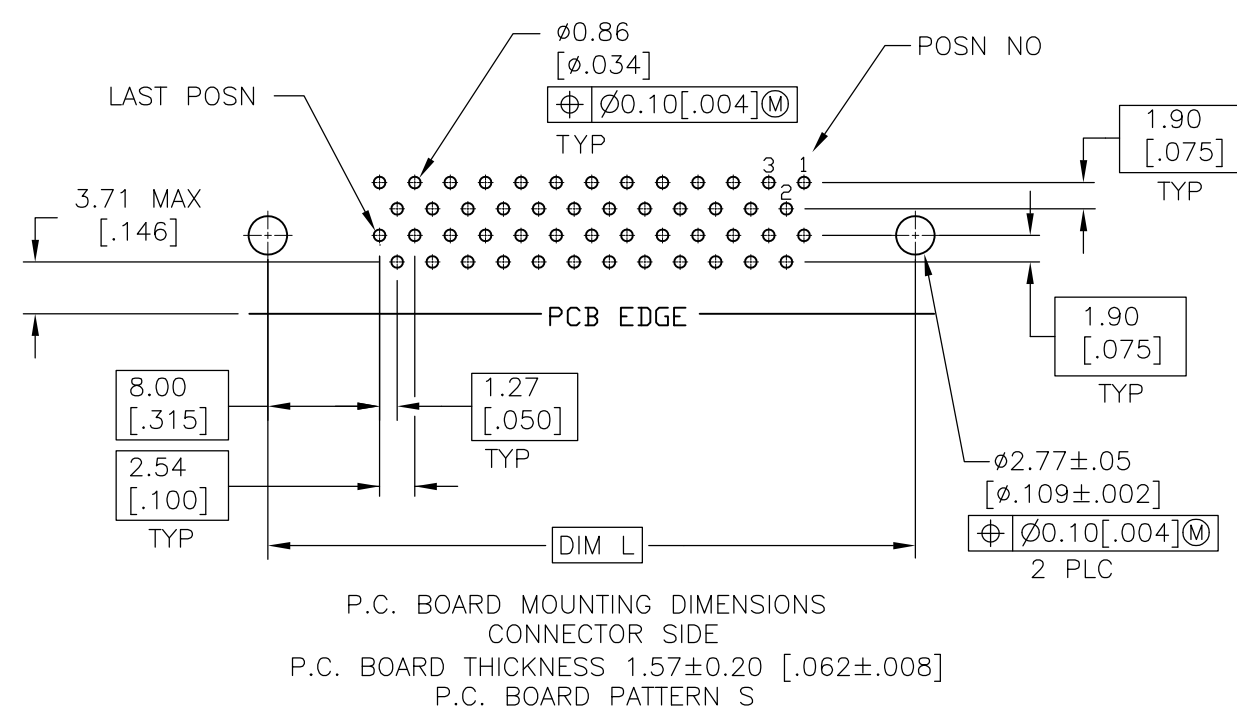
ALTERNATE BRACKET
DESIGN
TYP.



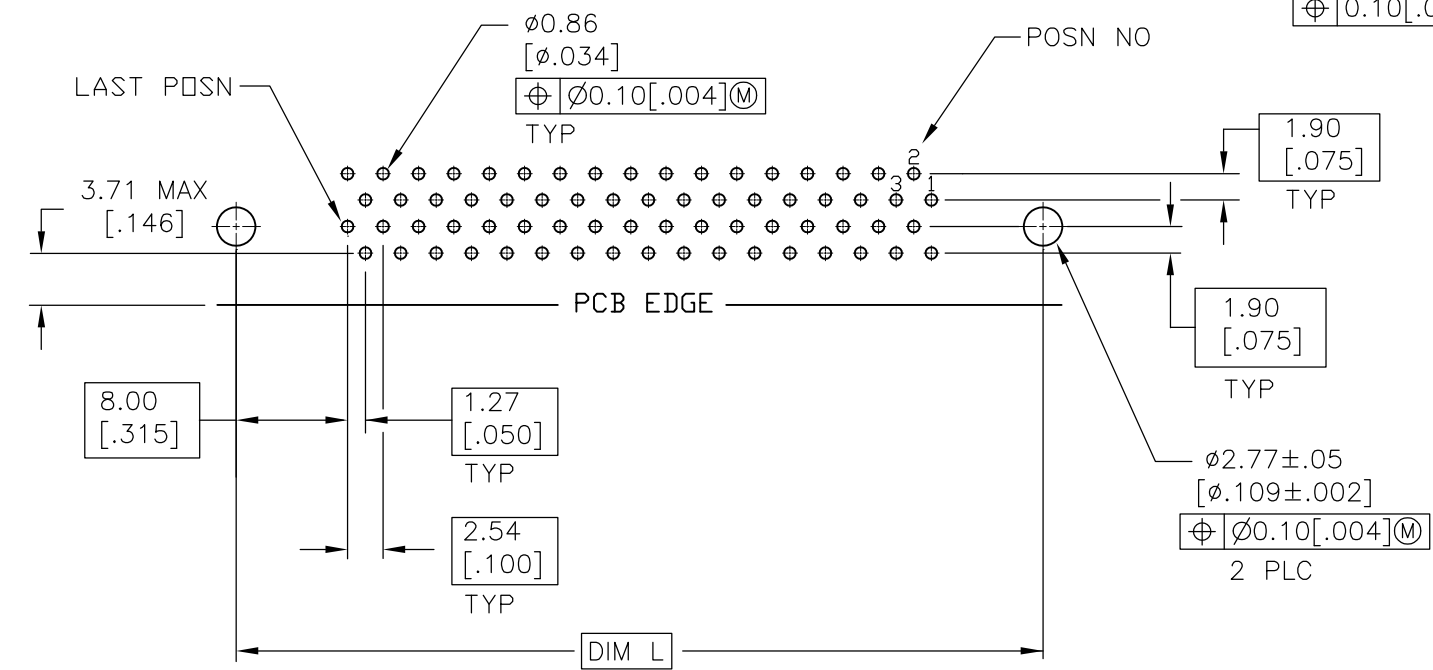
THIS DRAWING IS A CONTROLLED DOCUMENT.		DWN	28JAN2004							
		CHK	28JAN04							
		APVD	28JAN04							
		PRODUCT SPEC	108-1228							
DIMENSIONS: mm [INCHES]		TOLERANCES UNLESS OTHERWISE SPECIFIED:		NAME						
		0 PLC	± -		RECEPTACLE ASSEMBLY, SHIELDED, RIGHT ANGLE, RAILED, .050 SERIES, AMPLIMITE					
		1 PLC	± -							
		2 PLC	± 0.13[.005]							
		3 PLC	± -							
MATERIAL		4 PLC	± -		SIZE	CAGE CODE	DRAWING NO	RESTRICTED TO		
FINISH		ANGLES	± -		A3	00779	C-1761028	-		
1		2		WEIGHT		-		SCALE	SHEET	REV
				CUSTOMER DRAWING		2:1		1 of 3	D	

LOC	DIST	REVISIONS					
GP	00	P	LTR	DESCRIPTION	DATE	DWN	APVD
		-		SEE SHEET 1	-	-	-

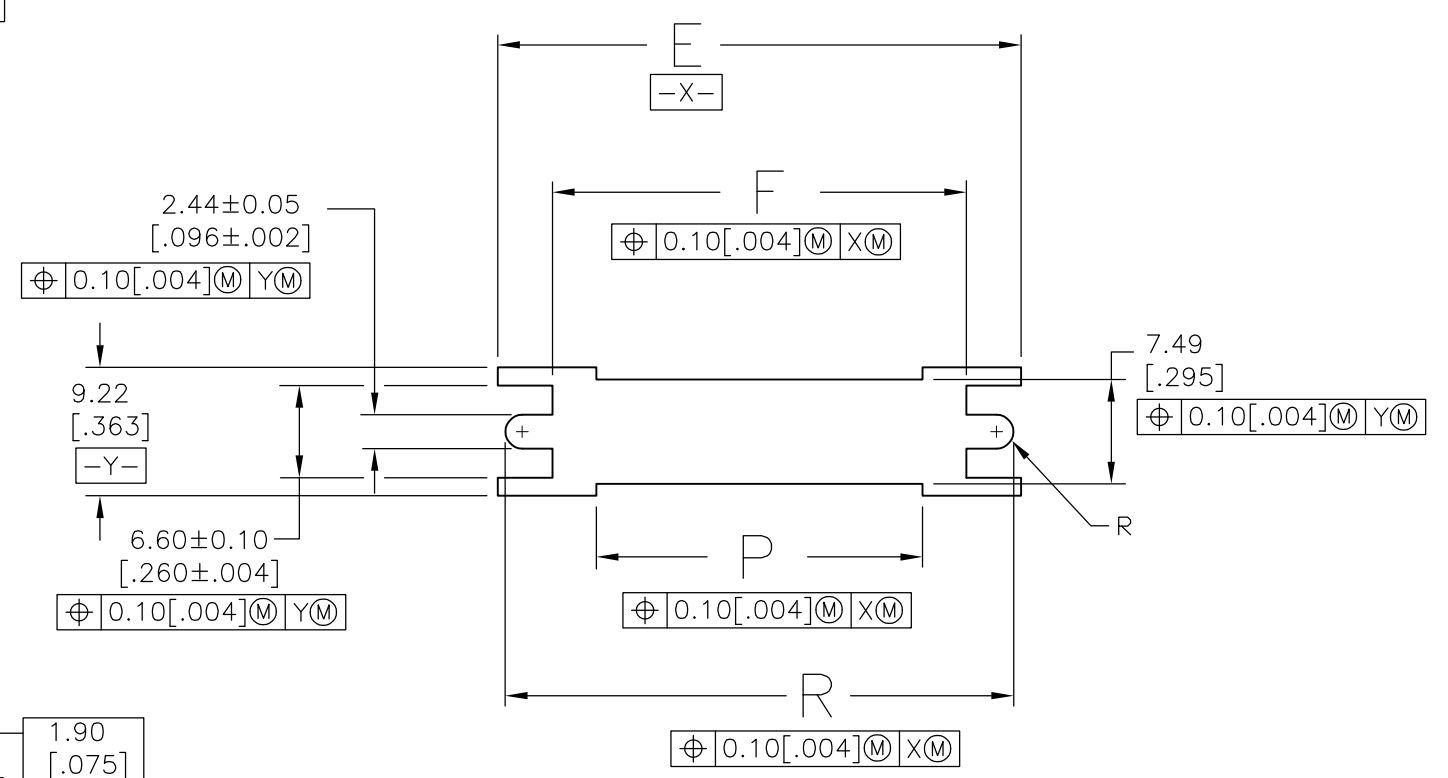
D
C
B
A



P.C. BOARD MOUNTING DIMENSIONS
CONNECTOR SIDE
P.C. BOARD THICKNESS 1.57 ± 0.20 [.062 ± .008]
P.C. BOARD PATTERN S



P.C. BOARD MOUNTING DIMENSIONS
CONNECTOR SIDE
P.C. BOARD THICKNESS 1.57 ± 0.20 [.062 ± .008]
P.C. BOARD PATTERN T



THIS DRAWING IS A CONTROLLED DOCUMENT.		DWN	28JAN2004				
		CHK	28JAN04				
		APVD	28JAN04				
		PRODUCT SPEC	108-1228				
DIMENSIONS: mm [INCHES]		TOLERANCES UNLESS OTHERWISE SPECIFIED:		NAME			
		0 PLC ± -		RECEPTACLE ASSEMBLY, SHIELDED,			
		1 PLC ± -		RIGHT ANGLE, RAILED,			
		2 PLC ± 0.13 [.005]		.050 SERIES, AMPLIMITE			
		3 PLC ± -		SIZE		CAGE CODE	DRAWING NO
4 PLC ± -		4 PLC ANGLES ± -		114-40029		A3 00779 C-1761028	
MATERIAL		FINISH		WEIGHT		CUSTOMER DRAWING	
1		2		-		SCALE 2:1 SHEET 2 OF 3 REV D	

THIS DRAWING IS UNPUBLISHED. RELEASED FOR PUBLICATION
 © COPYRIGHT - By - ALL RIGHTS RESERVED.


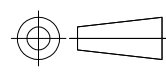
LOC	DIST	REVISIONS					
GP	00	P	LTR	DESCRIPTION	DATE	DWN	APVD
		-		SEE SHEET 1	-	-	-

1 CONTACTS: PHOSPHOR BRONZE.
 HOUSING & PIN-SPACER: UL 94V-0 RATED, THERMOPLASTIC, BLACK.
 BRACKET: ZINC.
 SHELL: CARBON STEEL.
 BOARDLOCKS: COPPER ALLOY.

2 CONTACTS: EITHER 0.00076 [.000030] MIN GOLD PLATE ON MATING END OR GOLD FLASH OVER PALLADIUM NICKEL PLATE, 0.00076 [.000030] MIN TOTAL ON MATING END, 0.00381 [.000150] MIN TIN ON SOLDER END, ALL OVER 0.00127 [.000050] MIN NICKEL ON ENTIRE CONTACT.
 SHELL: 0.00508 [.000200] MIN NICKEL OVER 0.00127 [.000050] MIN COPPER.
 BRACKET: 0.00254 [.000100] MIN NICKEL OVER 0.00508 [.000200] COPPER.
 BOARDLOCKS: 0.00300 [.000118] MIN TIN OVER 0.00127 [.000050] MIN NICKEL.

TUBE	T	29.87 [1.176]	17.37 [.684]	27.43 [1.080]	0.64 [.025]	23.75 [.935]	31.50 [1.240]	33.40 [1.315]	15.65 [.616]	27.43 [1.080]	20	1761028-6
TUBE	T	80.67 [3.176]	68.17 [2.684]	78.23 [3.080]	0.64 [.025]	74.55 [2.935]	82.30 [3.240]	84.20 [3.315]	66.45 [2.616]	78.23 [3.080]	100	1761028-5
TUBE	T	60.35 [2.376]	47.85 [1.884]	57.91 [2.280]	0.64 [.025]	54.23 [2.135]	61.98 [2.440]	63.88 [2.515]	46.13 [1.816]	57.91 [2.280]	68	1761028-4
TUBE	S	48.92 [1.926]	36.42 [1.434]	46.48 [1.834]	1.27 [.050]	42.80 [1.685]	50.55 [1.990]	52.45 [2.065]	34.70 [1.366]	46.48 [1.830]	50	1761028-3
TUBE	T	42.57 [1.676]	30.07 [1.184]	40.13 [1.580]	0.64 [.025]	36.45 [1.435]	44.20 [1.740]	46.10 [1.815]	28.35 [1.116]	40.13 [1.580]	40	1761028-2
TUBE	S	33.68 [1.326]	21.18 [.834]	31.24 [1.230]	1.27 [.050]	27.56 [1.085]	35.31 [1.390]	37.21 [1.465]	19.46 [.766]	31.24 [1.230]	26	1761028-1
PACKAGING	PC BOARD PATTERN	R	P	L	G	F	E	D	B	A	NO OF POS	PART NUMBER

THIS DRAWING IS A CONTROLLED DOCUMENT.

DIMENSIONS: mm [INCHES]	TOLERANCES UNLESS OTHERWISE SPECIFIED: 0 PLC ± - 1 PLC ± - 2 PLC ± 0.13[.005] 3 PLC ± - 4 PLC ± - ANGLES ± -	DWN B. MCMASTER 28JAN2004 CHK S. SHUEY 28JAN04 APVD M. WALMSLEY 28JAN04	 TE Connectivity	
		PRODUCT SPEC 108-1228 APPLICATION SPEC 114-40029	NAME RECEPTACLE ASSEMBLY, SHIELDED, RIGHT ANGLE, RAILED, .050 SERIES, AMPLIMITE	
MATERIAL 1	FINISH 2	WEIGHT -	SIZE A3	CAGE CODE 00779
CUSTOMER DRAWING			DRAWING NO C-1761028	RESTRICTED TO -
			SCALE 2:1	SHEET 3 of 3
			REV D	