



Chipsmall Limited consists of a professional team with an average of over 10 year of expertise in the distribution of electronic components. Based in Hongkong, we have already established firm and mutual-benefit business relationships with customers from,Europe,America and south Asia,supplying obsolete and hard-to-find components to meet their specific needs.

With the principle of “Quality Parts,Customers Priority,Honest Operation,and Considerate Service”,our business mainly focus on the distribution of electronic components. Line cards we deal with include Microchip,ALPS,ROHM,Xilinx,Pulse,ON,Everlight and Freescale. Main products comprise IC,Modules,Potentiometer,IC Socket,Relay,Connector.Our parts cover such applications as commercial,industrial, and automotives areas.

We are looking forward to setting up business relationship with you and hope to provide you with the best service and solution. Let us make a better world for our industry!



## Contact us

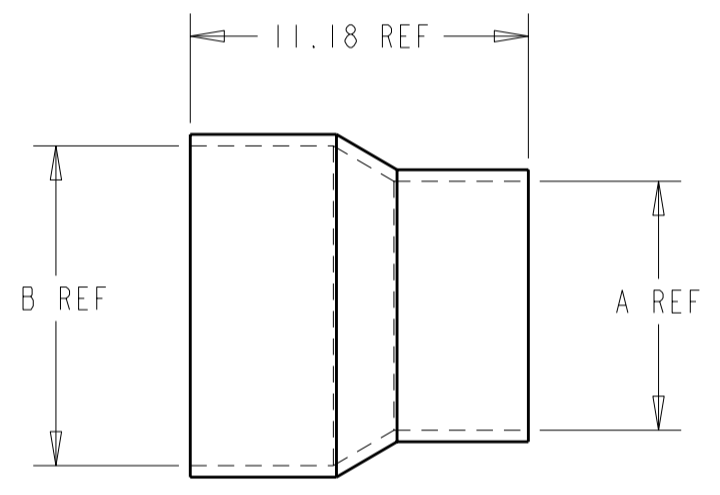
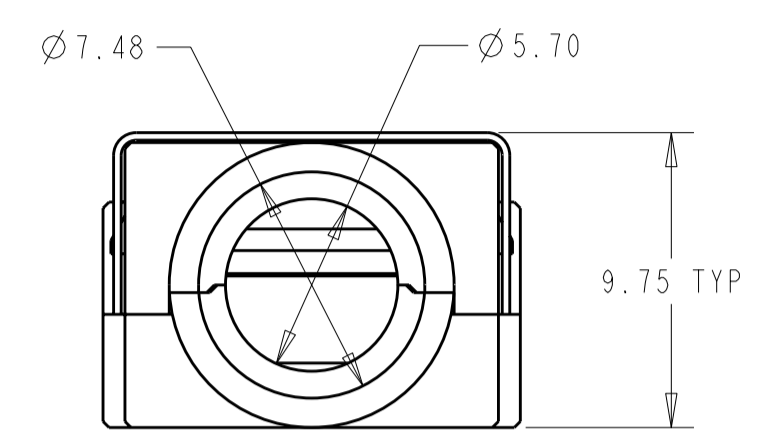
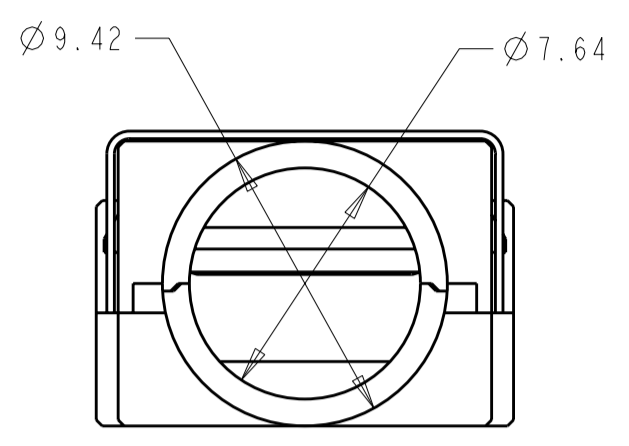
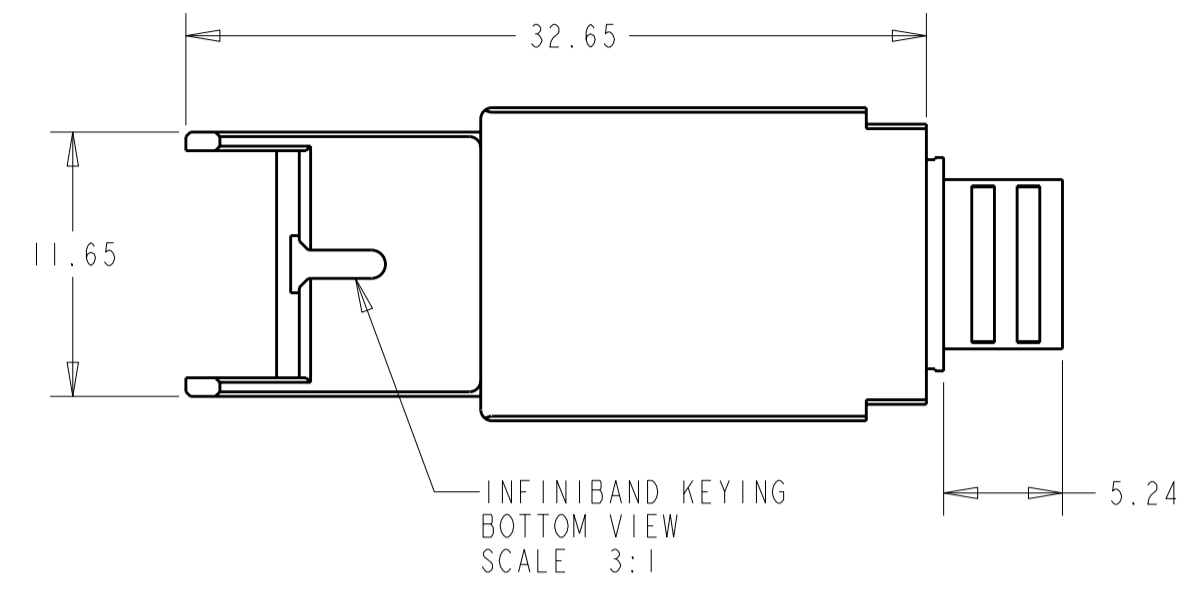
Tel: +86-755-8981 8866 Fax: +86-755-8427 6832

Email & Skype: info@chipsmall.com Web: www.chipsmall.com

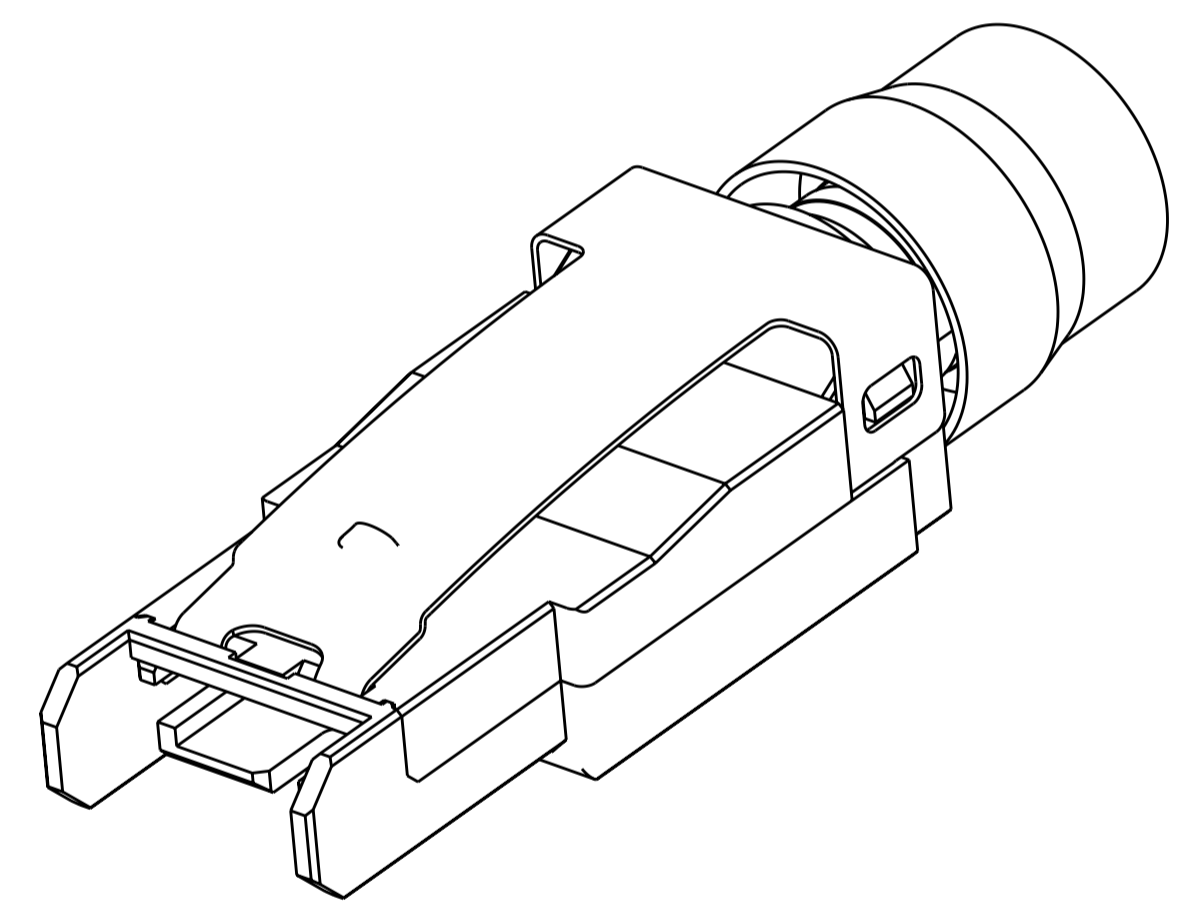
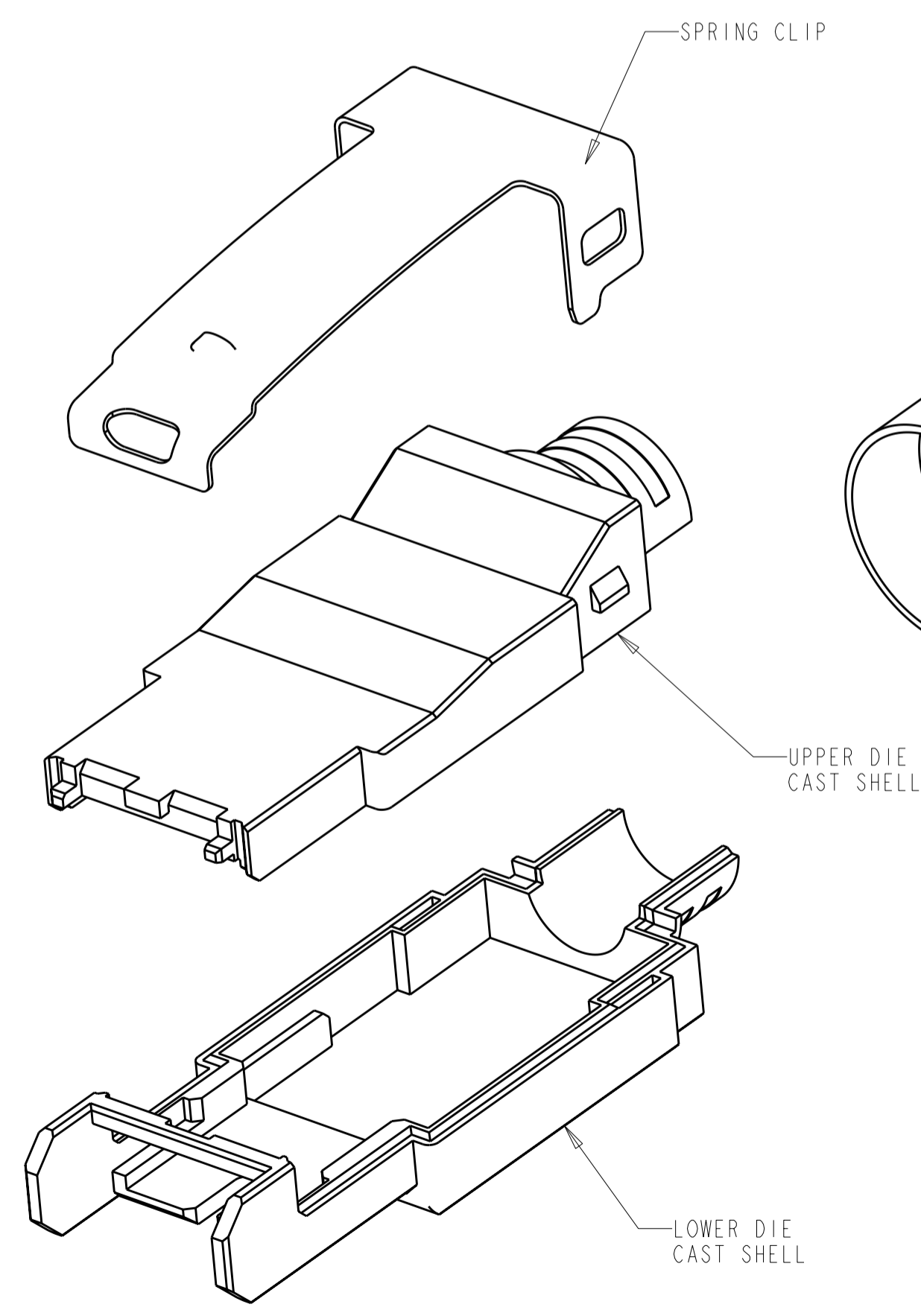
Address: A1208, Overseas Decoration Building, #122 Zhenhua RD., Futian, Shenzhen, China



LOC	DIST	REVISIONS			
P	LTR	DESCRIPTION	DATE	DWN	APVD
GP	00				
	01	REVISED PER EC 0S13-0253-05	18APR06	JG	JG
	A	REVISED PER ECO-06-003158	03MAY06	BM	SS
	AI	REVISED PER ECO-09-025699	09DEC2009	KK	HMR



- CABLE PLUG KIT DOES NOT INCLUDE CABLE, OVERMOLD, WIRE ORGANIZER OR PLUG PCB.
  - UPPER AND LOWER DIE CAST FINISH: 3-6 MICROMETERS MIN BRIGHT TIN OVER 1.27 MICROMETERS MIN NICKEL OVER 5.08 MICROMETERS MIN COPPER.
  - SPRING CLIP MATERIAL: PhBr. FINISH: 0.4 MICROMETERS MIN TIN.
  - BULK KIT PACKAGED, 1 PURCHASED PART NUMBER YIELDS 200 PLUG ASSEMBLIES.
- 5 BOTTOM VIEW OF PCB APPLIES ONLY TO 14 POSITION APPLICATIONS. PAD SIZE AND LOCATION SAME AS SHOWN ON TOP VIEW.
- 6 OBSOLETE PARTS: OBSOLETE CIS STREAMLINING PER D.RENAUD/D.SINISI



6	OBSOLETE	-	-	NO FERRULE LARGE CABLE EXIT	1761070-5
	OBSOLETE	9.53	11.10	Ø8.26-9.02	1761070-4
6	OBSOLETE	-	-	NO FERRULE SMALL CABLE EXIT	1761070-3
		6.25	9.07	Ø4.06-4.83	1761070-2
		7.62	9.07	Ø5.46-6.22	1761070-1
		A	B	RECOMMENDED CABLE Ø	PART NUMBER

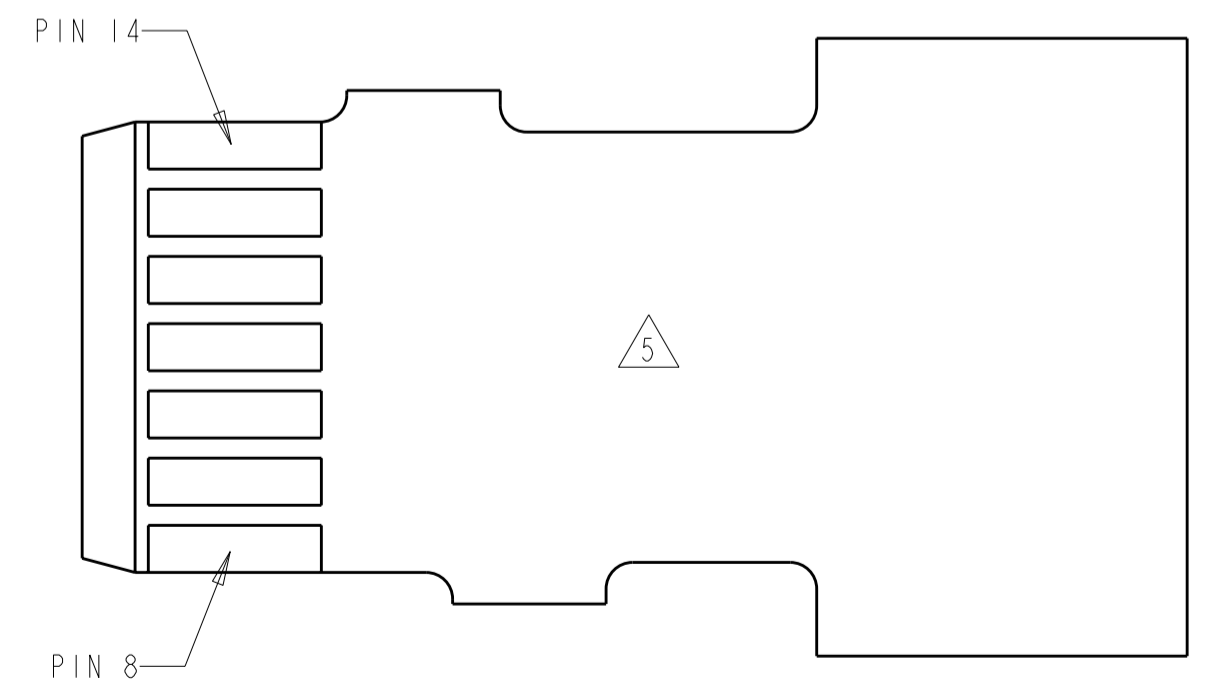
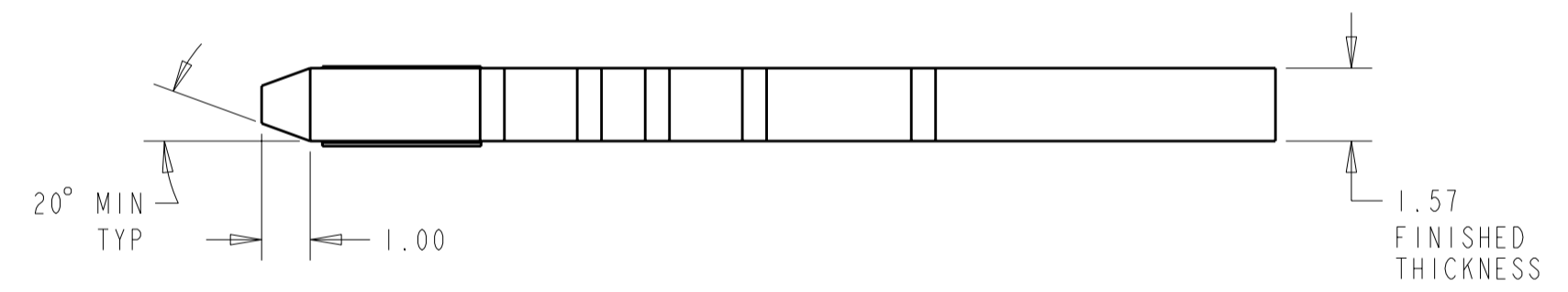
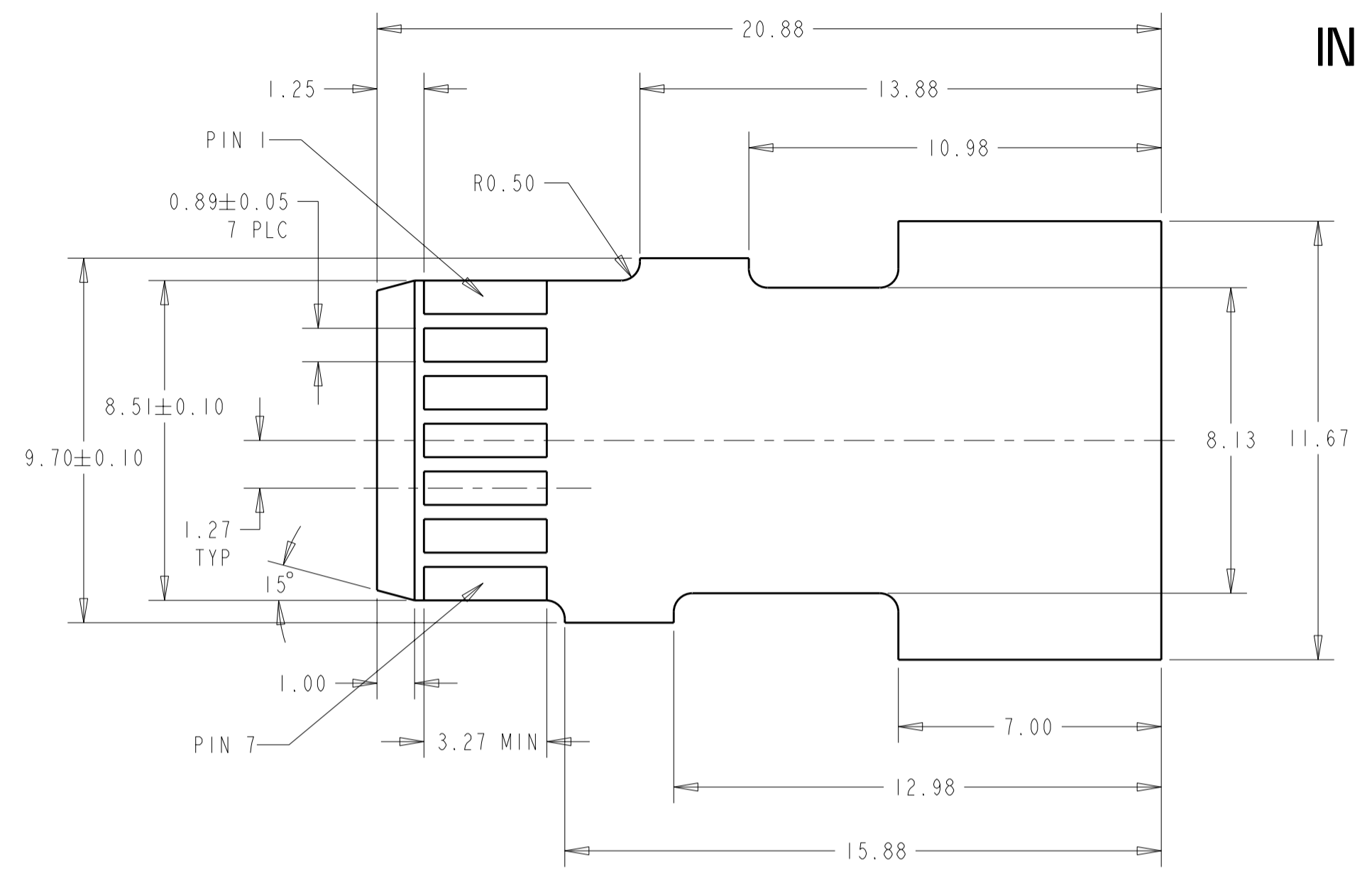
THIS DRAWING IS A CONTROLLED DOCUMENT FOR TYCO ELECTRONICS CORPORATION IT IS SUBJECT TO CHANGE AND THE CONTROLLING ENGINEERING ORGANIZATION SHOULD BE CONTACTED FOR THE LATEST REVISION.

DIMENSIONS:	TOLERANCES UNLESS OTHERWISE SPECIFIED:	DWN	J. GERACE	23APR04	Tyco Electronics Corporation Harrisburg, PA 17105-3608
mm	0 PLC ± 1 PLC ± 2 PLC ±0.13 3 PLC ± 4 PLC ±	CHK	C. ROHDE	23APR04	
	ANGLES ±2° FINISH -	APVD	M. WALMSLEY	23APR04	NAME
MATERIAL		PRODUCT SPEC	108-1965	APPLICATION SPEC	114-13097
		WEIGHT	-	SIZE	A2
		CUSTOMER DRAWING		CAGE CODE	00779
				DRAWING NO	1761070
				RESTRICTED TO	-
				SCALE	5:1
				SHEET	1 OF 2
				REV	A1

THIS DRAWING IS UNPUBLISHED. RELEASED FOR PUBLICATION 20  
 © COPYRIGHT 20 BY TYCO ELECTRONICS CORPORATION. ALL RIGHTS RESERVED.

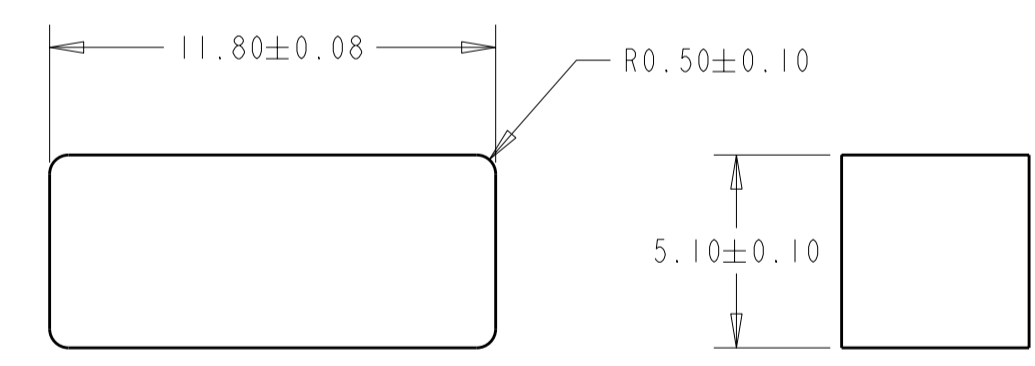
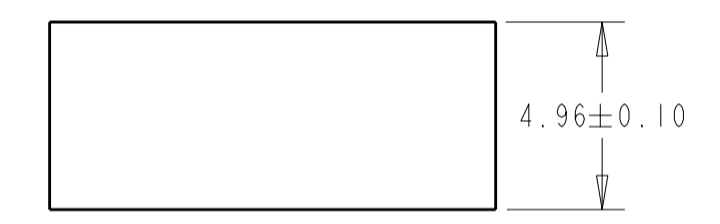
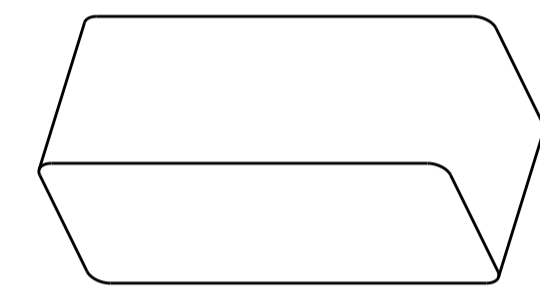
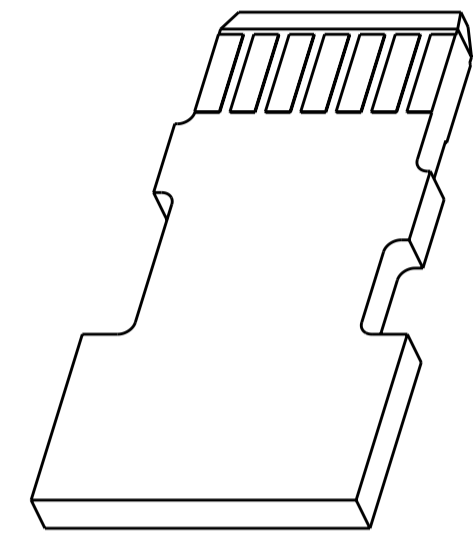
**PCB AND WIRE ORGANIZER  
 ARE NOT INCLUDED  
 IN THE CABLE PLUG KITS**

LOC	DIST	REVISIONS					
GP	00	P	LTR	DESCRIPTION	DATE	DWN	APVD
		-		SEE SHEET 1			



PCB PAD PLATING: 1.27µm MIN Au  
 OVER 2.54µm MIN Ni

**PCB REFERENCE  
 DIMENSIONS**



**WIRE ORGANIZER  
 REFERENCE DIMENSIONS**

THIS DRAWING IS A CONTROLLED DOCUMENT FOR TYCO ELECTRONICS CORPORATION. IT IS SUBJECT TO CHANGE AND THE CONTROLLING ENGINEERING ORGANIZATION SHOULD BE CONTACTED FOR THE LATEST REVISION.		DWN J. GERACE 23APR04	AMP Incorporated Harrisburg, PA 17105-3608	
DIMENSIONS: mm		CHK C. ROHDE 23APR04	NAME KIT, HSSDC2 PLUG INFINIBAND	
TOLERANCES UNLESS OTHERWISE SPECIFIED: 0 PLC ±- 1 PLC ±- 2 PLC ±0.13 3 PLC ±- 4 PLC ±- ANGLES ±2° FINISH -		APVD M. WALMSLEY 23APR04	RESTRICTED TO	
MATERIAL -		PRODUCT SPEC 108-1965	SIZE A2	CAGE CODE 00779
		APPLICATION SPEC 114-13097	DRAWING NO 1761070	REV A1
		WEIGHT -	SCALE 5:1 SHEET 2 OF 2	
		CUSTOMER DRAWING		